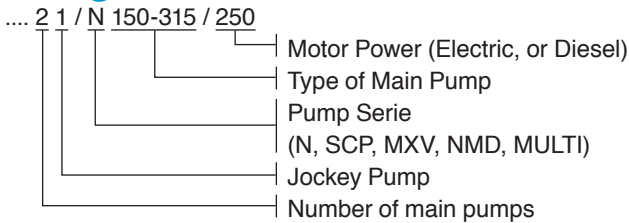


AUE/AUD/AUED EN12845 - Fire Fighting Systems

Designation of units



AUE (Electric Pump)
AUD (Diesel driven pump)
AUED (Electric + Diesel driven pump)

Construction

Units constructed for automatic fire fighting systems, may be composed of 1, or 2 main pumps.
Units are fitted with a jockey pump, with which the system pressure level can be maintained without having to start the main pumps.

Application

For feeding water to automatic fire fighting systems and units with hydrants, and sprinklers.

Operation

The pumps start operating after a fall in the pressure level in the fire extinguishing system.
The first pump to be triggered is the jockey pump.
If this pump cannot restore the pressure level, the main pump starts. When there is more than one main pump, the pumps start in cascade sequence, with the starting pressure switches set at different pressure levels.
The pressure switches of the main pumps are used only for starting, as the pumps must be stopped manually as per EN12845 standards.
The recirculation diaphragm allows for operation of the main pumps also when the delivery port is closed (with no consumption of water in the system), avoiding overheating of the water inside the pump body.

Pumps

Main Pumps can be;
N Series: single stage horizontal end-suction long coupled centrifugal pumps.
SCP Series: single stage horizontal, double suction, in-line centrifugal pumps
NMD Series: centrifugal pumps with two impellers.
MXV Series: multistage vertical in-line centrifugal pumps
MULTI Series: multistage vertical, off-line centrifugal pumps
The N, and SCP series centrifugal pumps are coupled with electric or diesel motor through a bearing coupling. This solution allows to operate on the hydraulic part without moving the motor.

Jockey Pump

Jockey pump can be a self priming jet pump, a centrifugal pump with two impellers, a vertical multistage pump.
The maximum pressure developed by the jockey pump is always greater than the pressure of the main pumps.

Electric Motors;

Two-pole induction type, 50 Hz, n = 2900 rpm, IEC Standardized, TEFC type.
Three-phase 230/400V +/- 10% up to 3 kW
400/690V +/- 10% 4 kW and higher.

Insulation class F.

Protection IP54 for close coupled pumps, IP55 for pumps with coupling.

Construction in accordance with IEC 60034.

Other voltage and frequency ratings, and ambient temperatures available on request.

Diesel Engines;

Diesel engines are equipped with N, NMD, and SCP series of our pumps.

These are direct-injection engines fitted with electric control box, fuel tank, starter battery, and exhaust silencer. The cooling can be by air, or water cooled by internal cooling system loop.

Hydraulic Components;

All pumps in the system are being delivered on a common base plate with discharge manifold. The suction manifold is never supplied as such execution is forbidden by the standards.

Each main pump is fitted with;

- Eccentric reducer + OS&Y type of gate valve at suction side
- Concentric reducer + butterfly valve with gear box + check valve at discharge side. Inlet vacuummeter fitted on suction sides of each main pump
- Outlet manometer fitted on discharge manifold.
- Pressure switch one for each pump in the unit.
- Manual test circuit with pressure switches, pressure gauge, non-return valve and ball valve and 19 liters cylindrical expansion tank complete with pressure relief valve

Jockey pump is fitted with;

Ball valve in the suction section, non-return valve, and ball valve in the delivery section.

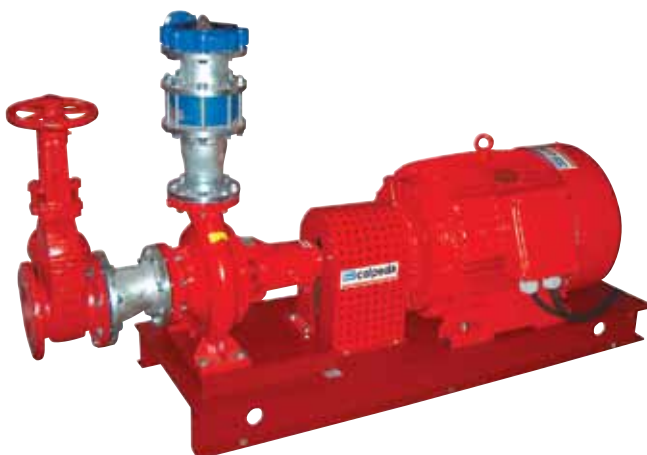
All the pumps, and control panel for each pump in the unit are fitted on the common baseplate with internal cabling, and jockey pump control panel has dry running protection float switch.

Electric Boxes;

Electric main-pump box (electric motor) = AUE;

Control panel of the main electric pump (and standby electric pump if applicable) assembled in a painted sheet metal housing with IP54 protection class. Made in accordance with the CEI standards in force. Complies with the specifications established by standard EN 12845 and is complete with;

- Main door-locking switch-disconnector
- On/off switch to inhibit the electric pump
- Pre-programmed electronic controller for managing the electric pump in accordance with standard EN12845. Complete with display for alarms and/or data, hour counter and the following indicators “On” led.
 - Start request led.
 - “Starting failure” led.
 - “Power available” led.
 - Phase/voltage failure led complete with internal buffer battery.
 - Lamp test button
 - Manual start button.
 - Pump stop button.
 - Digital ammeter.
- Transformer for the low voltage auxiliary circuit with relative protection fuses
- Starting contactors in class AC3 (for direct starting for power ratings of up to 18,5 kW inclusive. Star-delta starting for higher power ratings).
- Protection fuses with a high breakdown potential allowing inrush current to pass within 20 sec.
- Sequence i phase failure relay • 1 current transformer.
- Terminal box for connections.
- Clean contacts in the terminal box for;
 - Pump running
 - Phase / power failure
 - Starting inhibited
 - Request to start
 - Power available



Diesel main-pump box (diesel engine) = AUD;

Control panel of the engine-driven stand-by pump (if installed) assembled in a painted sheet metal housing with IP54 protection class. Made in accordance with the CEI standards in force.

Complies with the specifications established by standard EN12845 and is complete with;

- Main door-locking switch-disconnector
- On/off switch to inhibit the engine-driven pump
- Engine stop button
- Green button to operate the engine in the manual test mode after the blue indicator light has come on.
- Blue indicator.
- Paif of battery-powered emergency start buttons.
- Pre-programmed electronic controller for managing the diesel engine in accordance with standard EN12845. Complete with display for alarms and statuses, battery voltage, speed gauge, hour counter and the following indicators;
 - Pump running led
 - Starting failure led
 - Start request led.
 - Controller failure led.
- 2 battery chargers, each for charging and monitoring a 6A 12V battery for air-cooled engines, 10A for water-cooled engines. Guarantee that the batteries are recharged within the times established by the standard.
- Fuse holders and accessories for the power circuit and auxiliaries.
- Terminal box for connections.
- Clean contacts in the terminal box for; Pump running
- General alarm
- Starting failure
- Controller failure.



Jockey Pump box = De

This cabinet contains the electronic control card with microprocessor, for managing pump operation. The microprocessor carries out continuous secure checks during all the various work phases of the pump and incorporates all necessary functions, thus reducing electrical and electronic components inside.

The pump starts automatically by means of signal from pressure switch, and pump stops automatically when reaches at upper pressure set value, and stops also when there is no water in the suction.

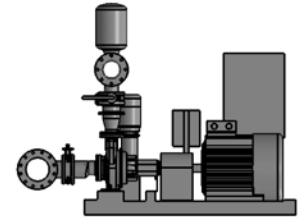
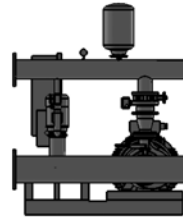
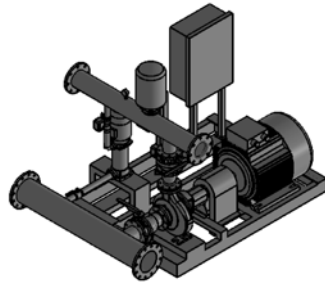
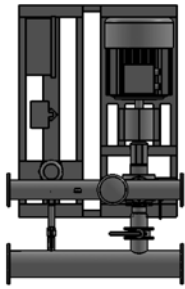
The status of control panel can be observed on front of the electronic card with the following signals;

- Power on led
- No water level
- Failure led
- Pump running led

The front of electronic card features the following signals and controls;

- AUT -STOP-MAN button
- RESET push-button.





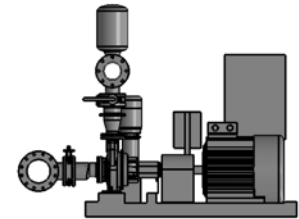
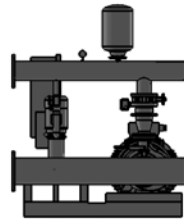
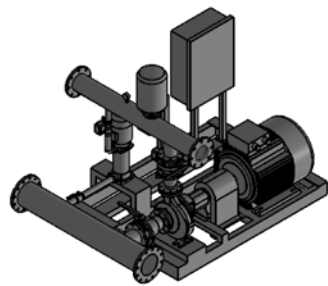
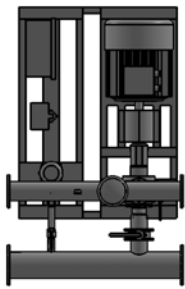
AUE - (1 ELECTRICAL FIRE PUMP + JOCKEY PUMP SYSTEM)

Q m³/h	H mWC	System Type	Electrical Pump Type	kW	Jockey Pump Type	kW	Suction Manifold	Discharge Manifold	Dimensions (mm)		
									A (width)	B (length)	C (height)
12	45	AUE 12/45	N 32-160/4	4,0	MULTI 35/6	2,0	DN50+1 1/2"	DN40	950	1000	1180
12	50	AUE 12/50	N 32-200/5,5	5,5	MULTI 35/6	2,0	DN50+1 1/2"	DN40	950	1000	1180
12	55	AUE 12/55	N 32-200/5,5	5,5	MULTI 35/6	2,0	DN50+1 1/2"	DN40	950	1000	1180
12	60	AUE 12/60	N 32-200/7,5	7,5	MULTI 35/6	2,0	DN50+1 1/2"	DN40	950	1000	1180
12	65	AUE 12/65	N 32-200/7,5	7,5	MULTI 35/6	2,0	DN50+1 1/2"	DN40	950	1000	1180
12	70	AUE 12/70	N 32-250/11	11,0	MULTI 35/8	3,0	DN50+1 1/2"	DN40	1000	1100	1220
12	75	AUE 12/75	N 32-250/11	11,0	MULTI 35/8	3,0	DN50+1 1/2"	DN40	1000	1100	1220
12	80	AUE 12/80	N 32-250/11	11,0	MULTI 35/8	3,0	DN50+1 1/2"	DN40	1000	1100	1220
12	85	AUE 12/85	N 32-250/11	11,0	MULTI 35/8	3,0	DN50+1 1/2"	DN40	1000	1100	1220
12	90	AUE 12/90	N 32-250/15	15,0	MULTI 35/10	4,0	DN50+1 1/2"	DN40	1000	1100	1220
12	95	AUE 12/95	N 32-250/15	15,0	MULTI 35/10	4,0	DN50+1 1/2"	DN40	1000	1100	1220

18	45	AUE 18/45	N 32-200/5,5	5,5	MULTI 35/6	2,0	DN50+1 1/2"	DN40	950	1000	1180
18	50	AUE 18/50	N 32-200/5,5	5,5	MULTI 35/6	2,0	DN50+1 1/2"	DN40	950	1000	1180
18	55	AUE 18/55	N 32-200/7,5	7,5	MULTI 35/6	2,0	DN50+1 1/2"	DN40	950	1000	1180
18	60	AUE 18/60	N 32-200/7,5	7,5	MULTI 35/6	2,0	DN50+1 1/2"	DN40	950	1000	1180
18	65	AUE 18/65	N 32-250/11	11,0	MULTI 35/8	3,0	DN50+1 1/2"	DN40	1000	1100	1220
18	70	AUE 18/70	N 32-250/11	11,0	MULTI 35/8	3,0	DN50+1 1/2"	DN40	1000	1100	1220
18	75	AUE 18/75	N 32-250/11	11,0	MULTI 35/8	3,0	DN50+1 1/2"	DN40	1000	1100	1220
18	80	AUE 18/80	N 32-250/11	11,0	MULTI 35/8	3,0	DN50+1 1/2"	DN40	1000	1100	1220
18	85	AUE 18/85	N 32-250/11	11,0	MULTI 35/8	3,0	DN50+1 1/2"	DN40	1000	1100	1220
18	90	AUE 18/90	N 32-250/15	15,0	MULTI 35/10	4,0	DN50+1 1/2"	DN40	1000	1100	1220
18	95	AUE 18/95	N 32-250/15	15,0	MULTI 35/10	4,0	DN50+1 1/2"	DN40	1000	1100	1220

24	45	AUE 24/45	N 40-160/7,5	7,5	MULTI 35/6	2,0	DN65+1 1/2"	DN50	950	1000	1200
24	50	AUE 24/50	N 40-160/7,5	7,5	MULTI 35/6	2,0	DN65+1 1/2"	DN50	950	1000	1200
24	55	AUE 24/55	N 40-200/11	11,0	MULTI 35/6	2,0	DN65+1 1/2"	DN50	1000	1000	1200
24	60	AUE 24/60	N 40-200/11	11,0	MULTI 35/6	2,0	DN65+1 1/2"	DN50	1000	1000	1200
24	65	AUE 24/65	N 40-200/11	11,0	MULTI 35/6	2,0	DN65+1 1/2"	DN50	1000	1000	1200
24	70	AUE 24/70	N 32-250/15	15,0	MULTI 35/8	3,0	DN50+1 1/2"	DN40	1000	1100	1220
24	75	AUE 24/75	N 32-250/18,5	18,5	MULTI 35/8	3,0	DN50+1 1/2"	DN40	1000	1100	1220
24	80	AUE 24/80	N 32-250/18,5	18,5	MULTI 35/8	3,0	DN50+1 1/2"	DN40	1000	1100	1220
24	85	AUE 24/85	N 32-250/18,5	18,5	MULTI 35/8	3,0	DN50+1 1/2"	DN40	1000	1100	1220
24	90	AUE 24/90	N 32-250/22	22,0	MULTI 35/10	4,0	DN50+1 1/2"	DN40	1000	1100	1220
24	95	AUE 24/95	N 32-250/22	22,0	MULTI 35/10	4,0	DN50+1 1/2"	DN40	1000	1100	1220

36	45	AUE 36/45	N 50-200/11	11,0	MULTI 35/6	2,0	DN65+1 1/2"	DN65	1000	1100	1220
36	50	AUE 36/50	N 50-200/11	11,0	MULTI 35/6	2,0	DN65+1 1/2"	DN65	1000	1100	1220
36	55	AUE 36/55	N 50-200/15	15,0	MULTI 35/6	2,0	DN65+1 1/2"	DN65	1000	1100	1220
36	60	AUE 36/60	N 50-200/15	15,0	MULTI 35/6	2,0	DN65+1 1/2"	DN65	1000	1100	1220
36	65	AUE 36/65	N 50-250/15	15,0	MULTI 35/6	2,0	DN65+1 1/2"	DN65	1000	1100	1220
36	70	AUE 36/70	N 40-250/18,5	18,5	MULTI 35/8	3,0	DN65+1 1/2"	DN50	1000	1100	1240
36	75	AUE 36/75	N 40-250/22	22,0	MULTI 35/8	3,0	DN65+1 1/2"	DN50	1050	1200	1240
36	80	AUE 36/80	N 40-250/22	22,0	MULTI 35/8	3,0	DN65+1 1/2"	DN50	1050	1200	1240
36	85	AUE 36/85	N 40-250/30	30,0	MULTI 35/8	3,0	DN65+1 1/2"	DN50	1050	1250	1250
36	90	AUE 36/90	N 40-250/30	30,0	MULTI 35/10	4,0	DN65+1 1/2"	DN50	1050	1250	1250



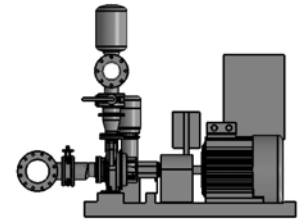
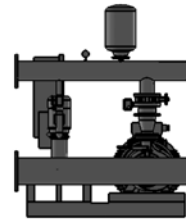
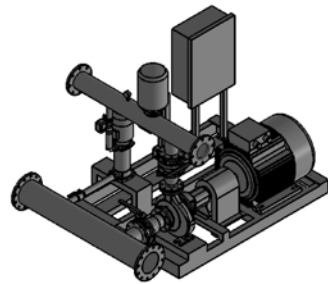
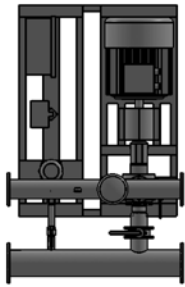
AUE - (1 ELECTRICAL FIRE PUMP + JOCKEY PUMP SYSTEM)

Q m³/h	H mWC	System Type	Electrical Pump Type	kW	Jockey Pump Type	kW	Suction Manifold	Discharge Manifold	Dimensions (mm)		
									A (width)	B (length)	C (height)
45	55	AUE 45/55	N 50-200/15	15,0	MULTI 35/6	2,0	DN65+1 1/2"	DN65	1000	1100	1220
45	60	AUE 45/60	N 50-200/15	15,0	MULTI 35/6	2,0	DN65+1 1/2"	DN65	1000	1100	1220
45	65	AUE 45/65	N 50-250/18,5	18,5	MULTI 35/6	2,0	DN65+1 1/2"	DN65	1050	1100	1220
45	70	AUE 45/70	N 50-250/18,5	18,5	MULTI 35/8	3,0	DN65+1 1/2"	DN65	1050	1100	1220
45	75	AUE 45/75	N 50-250/22	22,0	MULTI 35/8	3,0	DN65+1 1/2"	DN65	1050	1200	1260
45	80	AUE 45/80	N 50-250/22	22,0	MULTI 35/8	3,0	DN65+1 1/2"	DN65	1050	1200	1260
45	85	AUE 45/85	N 50-250/30	30,0	MULTI 35/8	3,0	DN65+1 1/2"	DN65	1050	1200	1260
45	90	AUE 45/90	N 50-250/30	30,0	MULTI 35/10	4,0	DN65+1 1/2"	DN65	1050	1200	1260
45	95	AUE 45/95	N 50-250/30	30,0	MULTI 35/10	4,0	DN65+1 1/2"	DN65	1050	1200	1260

50	55	AUE 50/55	N 50-200/15	15,0	MULTI 35/6	2,0	DN65+1 1/2"	DN65	1000	1100	1220
50	60	AUE 50/60	N 50-200/18,5	18,5	MULTI 35/6	2,0	DN65+1 1/2"	DN65	1000	1100	1220
50	65	AUE 50/65	N 50-250/18,5	18,5	MULTI 35/6	2,0	DN65+1 1/2"	DN65	1050	1100	1220
50	70	AUE 50/70	N 50-250/18,5	18,5	MULTI 35/8	3,0	DN65+1 1/2"	DN65	1050	1100	1220
50	75	AUE 50/75	N 50-250/22	22,0	MULTI 35/8	3,0	DN65+1 1/2"	DN65	1050	1200	1260
50	80	AUE 50/80	N 50-250/22	22,0	MULTI 35/8	3,0	DN65+1 1/2"	DN65	1050	1200	1260
50	85	AUE 50/85	N 50-250/30	30,0	MULTI 35/8	3,0	DN65+1 1/2"	DN65	1050	1200	1260
50	90	AUE 50/90	N 50-250/30	30,0	MULTI 35/10	4,0	DN65+1 1/2"	DN65	1050	1200	1260
50	95	AUE 50/95	N 50-250/30	30,0	MULTI 35/10	4,0	DN65+1 1/2"	DN65	1050	1200	1260

60	45	AUE 60/45	N 65-200/15	15,0	MULTI 35/6	2,0	DN80+1 1/2"	DN80	1000	1100	1270
60	50	AUE 60/50	N 65-200/18,5	18,5	MULTI 35/6	2,0	DN80+1 1/2"	DN80	1000	1100	1270
60	55	AUE 60/55	N 65-200/18,5	18,5	MULTI 35/6	2,0	DN80+1 1/2"	DN80	1000	1100	1270
60	60	AUE 60/60	N 65-250/18,5	18,5	MULTI 35/6	2,0	DN80+1 1/2"	DN80	1000	1100	1270
60	65	AUE 60/65	N 65-250/22	22,0	MULTI 35/6	2,0	DN80+1 1/2"	DN80	1050	1200	1340
60	70	AUE 60/70	N 65-250/30	30,0	MULTI 35/8	3,0	DN80+1 1/2"	DN80	1050	1200	1340
60	75	AUE 60/75	N 65-250/30	30,0	MULTI 35/8	3,0	DN80+1 1/2"	DN80	1050	1200	1340
60	80	AUE 60/80	N 65-250/30	30,0	MULTI 35/8	3,0	DN80+1 1/2"	DN80	1050	1200	1340
60	85	AUE 60/85	N 65-250/30	30,0	MULTI 35/8	3,0	DN80+1 1/2"	DN80	1050	1200	1340
60	90	AUE 60/90	N 65-250/30	30,0	MULTI 35/10	4,0	DN80+1 1/2"	DN80	1050	1200	1340
60	95	AUE 60/95	N 65-250/37	37,0	MULTI 35/10	4,0	DN80+1 1/2"	DN80	1050	1200	1340
60	100	AUE 60/100	N 65-315/37	37,0	MULTI 35/10	4,0	DN80+1 1/2"	DN80	1050	1400	1420
60	105	AUE 60/105	N 65-315/37	37,0	MULTI 35/10	4,0	DN80+1 1/2"	DN80	1050	1400	1420
60	110	AUE 60/110	N 65-315/45	45,0	MULTI 35/10	4,0	DN80+1 1/2"	DN80	1100	1500	1420
60	115	AUE 60/115	N 65-315/45	45,0	MULTI 35/10	4,0	DN80+1 1/2"	DN80	1100	1500	1420
60	120	AUE 60/120	N 65-315/45	45,0	MULTI 35/10	4,0	DN80+1 1/2"	DN80	1100	1500	1420

72	45	AUE 72/45	N 65-200/18,5	18,5	MULTI 35/6	2,0	DN80+1 1/2"	DN80	1000	1100	1270
72	50	AUE 72/50	N 65-200/18,5	18,5	MULTI 35/6	2,0	DN80+1 1/2"	DN80	1000	1100	1270
72	55	AUE 72/55	N 65-200/22	22,0	MULTI 35/6	2,0	DN80+1 1/2"	DN80	1050	1200	1340
72	60	AUE 72/60	N 65-200/22	22,0	MULTI 35/6	2,0	DN80+1 1/2"	DN80	1050	1200	1340
72	65	AUE 72/65	N 65-200/30	30,0	MULTI 35/6	2,0	DN80+1 1/2"	DN80	1050	1200	1340

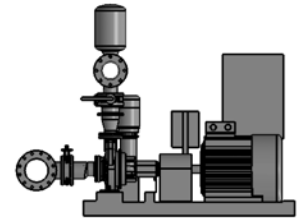
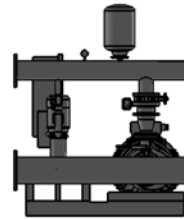
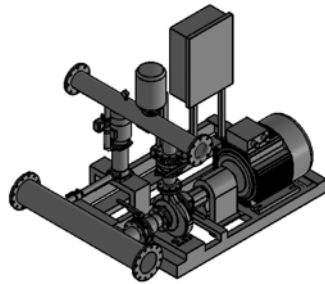
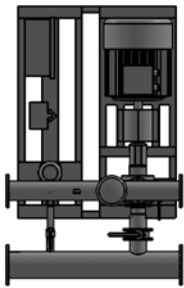


AUE - (1 ELECTRICAL FIRE PUMP + JOCKEY PUMP SYSTEM)

Q m³/h	H mWC	System Type	Electrical Pump Type	kW	Jockey Pump Type	kW	Suction Manifold	Discharge Manifold	Dimensions (mm)		
									A (width)	B (length)	C (height)
72	80	AUE 72/80	N 65-250/30	30,0	MULTI 35/8	3,0	DN80+1 1/2"	DN80	1050	1200	1340
72	85	AUE 72/85	N 65-250/37	37,0	MULTI 35/8	3,0	DN80+1 1/2"	DN80	1050	1200	1340
72	90	AUE 72/90	N 65-250/37	37,0	MULTI 35/10	4,0	DN80+1 1/2"	DN80	1050	1200	1340
72	95	AUE 72/95	N 65-250/37	37,0	MULTI 35/10	4,0	DN80+1 1/2"	DN80	1050	1200	1340
72	100	AUE 72/100	N 65-315/45	45,0	MULTI 35/10	4,0	DN80+1 1/2"	DN80	1100	1500	1340
72	105	AUE 72/105	N 65-315/45	45,0	MULTI 35/10	4,0	DN80+1 1/2"	DN80	1100	1050	1340
72	110	AUE 72/110	N 65-315/45	45,0	MULTI 35/10	4,0	DN80+1 1/2"	DN80	1100	1500	1340
72	115	AUE 72/115	N 65-315/45	45,0	MULTI 35/10	4,0	DN80+1 1/2"	DN80	1100	1500	1340
72	120	AUE 72/120	N 65-315/55	55,0	MULTI 35/10	4,0	DN80+1 1/2"	DN80	1350	1600	1470

84	45	AUE 84/45	N 65-200/18,5	18,5	MULTI 35/6	2,0	DN80+1 1/2"	DN80	1000	1100	1270
84	50	AUE 84/50	N 65-200/22	22,0	MULTI 35/6	2,0	DN80+1 1/2"	DN80	1050	1200	1340
84	55	AUE 84/55	N 65-200/22	22,0	MULTI 35/6	2,0	DN80+1 1/2"	DN80	1050	1200	1340
84	60	AUE 84/60	N 65-200/30	30,0	MULTI 35/6	2,0	DN80+1 1/2"	DN80	1050	1200	1340
84	65	AUE 84/65	N 65-250/30	30,0	MULTI 35/6	2,0	DN80+1 1/2"	DN80	1050	1200	1340
84	70	AUE 84/70	N 65-250/30	30,0	MULTI 35/8	3,0	DN80+1 1/2"	DN80	1050	1200	1340
84	75	AUE 84/75	N 65-250/37	37,0	MULTI 35/8	3,0	DN80+1 1/2"	DN80	1050	1200	1340
84	80	AUE 84/80	N 65-250/37	37,0	MULTI 35/8	3,0	DN80+1 1/2"	DN80	1050	1200	1340
84	85	AUE 84/85	N 65-250/37	37,0	MULTI 35/8	3,0	DN80+1 1/2"	DN80	1050	1200	1340
84	90	AUE 84/90	N 65-250/45	45,0	MULTI 35/10	4,0	DN80+1 1/2"	DN80	1100	1500	1360
84	95	AUE 84/95	N 65-250/45	45,0	MULTI 35/10	4,0	DN80+1 1/2"	DN80	1100	1500	1360
84	100	AUE 84/100	N 65-315/45	45,0	MULTI 35/10	4,0	DN80+1 1/2"	DN80	1100	1500	1340
84	105	AUE 84/105	N 65-315/55	55,0	MULTI 35/10	4,0	DN80+1 1/2"	DN80	1350	1600	1470
84	110	AUE 84/110	N 65-315/55	55,0	MULTI 35/10	4,0	DN80+1 1/2"	DN80	1350	1600	1470
84	115	AUE 84/115	N 65-315/55	55,0	MULTI 35/10	4,0	DN80+1 1/2"	DN80	1350	1600	1470
84	120	AUE 84/120	N 65-315/55	55,0	MULTI 35/10	4,0	DN80+1 1/2"	DN80	1350	1600	1470

96	55	AUE 96/55	N 65-200/30	30,0	MULTI 35/6	2,0	DN80+1 1/2"	DN80	1050	1200	1340
96	60	AUE 96/60	N 65-200/30	30,0	MULTI 35/6	2,0	DN80+1 1/2"	DN80	1050	1200	1340
96	65	AUE 96/65	N 65-250/30	30,0	MULTI 35/6	2,0	DN80+1 1/2"	DN80	1050	1200	1340
96	70	AUE 96/70	N 65-250/37	37,0	MULTI 35/8	3,0	DN80+1 1/2"	DN80	1050	1200	1340
96	75	AUE 96/75	N 65-250/37	37,0	MULTI 35/8	3,0	DN80+1 1/2"	DN80	1050	1200	1340
96	80	AUE 96/80	N 65-250/45	45,0	MULTI 35/8	3,0	DN80+1 1/2"	DN80	1100	1500	1360
96	85	AUE 96/85	N 65-250/45	45,0	MULTI 35/8	3,0	DN80+1 1/2"	DN80	1100	1500	1360
96	90	AUE 96/90	N 65-250/45	45,0	MULTI 35/10	4,0	DN80+1 1/2"	DN80	1100	1500	1360
96	95	AUE 96/95	N 65-250/55	55,0	MULTI 35/10	4,0	DN80+1 1/2"	DN80	1350	1500	1390
96	100	AUE 96/100	N 65-315/55	55,0	MULTI 35/10	4,0	DN80+1 1/2"	DN80	1350	1600	1470
96	105	AUE 96/105	N 65-315/55	55,0	MULTI 35/10	4,0	DN80+1 1/2"	DN80	1350	1600	1470
96	110	AUE 96/110	N 65-315/75	75,0	MULTI 35/10	4,0	DN80+1 1/2"	DN80	1500	1700	1470
96	115	AUE 96/115	N 65-315/75	75,0	MULTI 35/10	4,0	DN80+1 1/2"	DN80	1500	1700	1470
96	120	AUE 96/120	N 65-315/75	75,0	MULTI 35/10	4,0	DN80+1 1/2"	DN80	1500	1700	1470

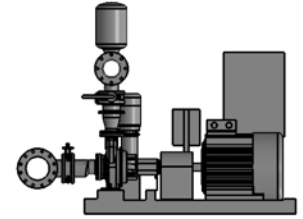
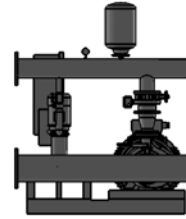
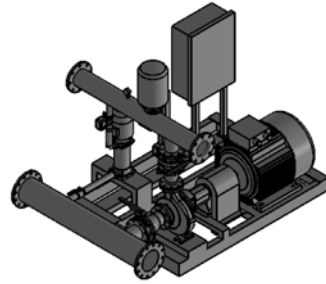
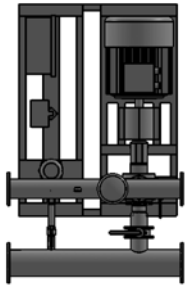


AUE - (1 ELECTRICAL FIRE PUMP + JOCKEY PUMP SYSTEM)

Q m³/h	H mWC	System Type	Electrical Pump Type	kW	Jockey Pump Type	kW	Suction Manifold	Discharge Manifold	Dimensions (mm)		
									A (width)	B (length)	C (height)
108	55	AUE 108/55	N 65-200/30	30,0	MULTI 35/6	2,0	DN80+1 1/2"	DN80	1050	1200	1340
108	60	AUE 108/60	N 65-200/30	30,0	MULTI 35/6	2,0	DN80+1 1/2"	DN80	1050	1200	1340
108	65	AUE 108/65	N 65-250/37	37,0	MULTI 35/6	2,0	DN80+1 1/2"	DN80	1050	1200	1340
108	70	AUE 108/70	N 65-250/37	37,0	MULTI 35/8	3,0	DN80+1 1/2"	DN80	1050	1200	1340
108	75	AUE 108/75	N 65-250/37	37,0	MULTI 35/8	3,0	DN80+1 1/2"	DN80	1050	1200	1340
108	80	AUE 108/80	N 65-200/45	45,0	MULTI 35/8	3,0	DN80+1 1/2"	DN80	1100	1500	1360
108	85	AUE 108/85	N 65-200/45	45,0	MULTI 35/8	3,0	DN80+1 1/2"	DN80	1100	1500	1360
108	90	AUE 108/90	N 65-250/55	55,0	MULTI 35/10	4,0	DN80+1 1/2"	DN80	1350	1500	1390
108	95	AUE 108/95	N 65-250/55	55,0	MULTI 35/10	4,0	DN80+1 1/2"	DN80	1350	1500	1390
108	100	AUE 108/100	N 65-315/55	55,0	MULTI 35/10	4,0	DN80+1 1/2"	DN80	1350	1600	1470
108	105	AUE 108/105	N 65-315/75	75,0	MULTI 35/10	4,0	DN80+1 1/2"	DN80	1500	1700	1470
108	110	AUE 108/110	N 65-315/75	75,0	MULTI 35/10	4,0	DN80+1 1/2"	DN80	1500	1700	1470
108	115	AUE 108/115	N 65-315/75	75,0	MULTI 35/10	4,0	DN80+1 1/2"	DN80	1500	1700	1470
108	120	AUE 108/120	N 65-315/75	75,0	MULTI 35/10	4,0	DN80+1 1/2"	DN80	1500	1700	1470

120	45	AUE 120/45	N 80-200/30	30,0	MULTI 35/6	2,0	DN100+1 1/2"	DN100	1050	1400	1400
120	50	AUE 120/50	N 80-200/30	30,0	MULTI 35/6	2,0	DN100+1 1/2"	DN100	1050	1400	1400
120	55	AUE 120/55	N 80-200/37	37,0	MULTI 35/6	2,0	DN100+1 1/2"	DN100	1050	1400	1400
120	60	AUE 120/60	N 80-200/37	37,0	MULTI 35/6	2,0	DN100+1 1/2"	DN100	1050	1400	1400
120	65	AUE 120/65	N 80-250/37	37,0	MULTI 35/6	2,0	DN100+1 1/2"	DN100	1050	1400	1490
120	70	AUE 120/70	N 80-250/45	45,0	MULTI 35/8	3,0	DN100+1 1/2"	DN100	1100	1500	1490
120	75	AUE 120/75	N 80-250/45	45,0	MULTI 35/8	3,0	DN100+1 1/2"	DN100	1100	1500	1490
120	80	AUE 120/80	N 80-250/45	45,0	MULTI 35/8	3,0	DN100+1 1/2"	DN100	1100	1500	1490
120	85	AUE 120/85	N 80-250/55	55,0	MULTI 35/8	3,0	DN100+1 1/2"	DN100	1350	1600	1500
120	90	AUE 120/90	N 80-250/55	55,0	MULTI 35/10	4,0	DN100+1 1/2"	DN100	1350	1600	1500
120	95	AUE 120/95	N 80-250/75	75,0	MULTI 35/10	4,0	DN100+1 1/2"	DN100	1450	1650	1540
120	100	AUE 120/100	N 80-250/75	75,0	MULTI 35/10	4,0	DN100+1 1/2"	DN100	1450	1650	1540
120	105	AUE 120/105	N 80-250/75	75,0	MULTI 35/10	4,0	DN100+1 1/2"	DN100	1450	1650	1540
120	110	AUE 120/110	N 65-315/75	75,0	MULTI 35/10	4,0	DN80+1 1/2"	DN80	1500	1700	1470
120	115	AUE 120/115	N 65-315/75	75,0	MULTI 35/10	4,0	DN80+1 1/2"	DN80	1500	1700	1470
120	120	AUE 120/120	N 65-315/75	75,0	MULTI 35/10	4,0	DN80+1 1/2"	DN80	1500	1700	1470

132	55	AUE 132/55	N 80-200/37	37,0	MULTI 35/6	2,0	DN100+1 1/2"	DN100	1050	1400	1400
132	60	AUE 132/60	N 80-200/45	45,0	MULTI 35/6	2,0	DN100+1 1/2"	DN100	1100	1400	1430
132	65	AUE 132/65	N 80-250/45	45,0	MULTI 35/6	2,0	DN100+1 1/2"	DN100	1100	1500	1490
132	70	AUE 132/70	N 80-250/45	45,0	MULTI 35/8	3,0	DN100+1 1/2"	DN100	1100	1500	1490
132	75	AUE 132/75	N 80-250/55	55,0	MULTI 35/8	3,0	DN100+1 1/2"	DN100	1350	1600	1500
132	80	AUE 132/80	N 80-250/55	55,0	MULTI 35/8	3,0	DN100+1 1/2"	DN100	1350	1600	1500
132	85	AUE 132/85	N 80-250/55	55,0	MULTI 35/8	3,0	DN100+1 1/2"	DN100	1350	1600	1500
132	90	AUE 132/90	N 80-250/75	75,0	MULTI 35/10	4,0	DN100+1 1/2"	DN100	1450	1650	1540
132	95	AUE 132/95	N 80-250/75	75,0	MULTI 35/10	4,0	DN100+1 1/2"	DN100	1450	1650	1540
132	100	AUE 132/100	N 80-250/75	75,0	MULTI 35/10	4,0	DN100+1 1/2"	DN100	1450	1650	1540
132	105	AUE 132/105	N 65-315/75	75,0	MULTI 35/10	4,0	DN80+1 1/2"	DN80	1500	1700	1470
132	110	AUE 132/110	N 65-315/75	75,0	MULTI 35/10	4,0	DN80+1 1/2"	DN80	1500	1700	1470
132	115	AUE 132/115	N 65-315/75	75,0	MULTI 35/10	4,0	DN80+1 1/2"	DN80	1500	1700	1470
132	120	AUE 132/120	N 65-315/75	75,0	MULTI 35/10	4,0	DN80+1 1/2"	DN80	1500	1700	1470

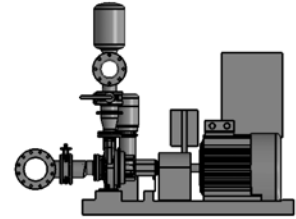
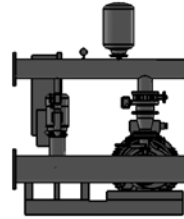
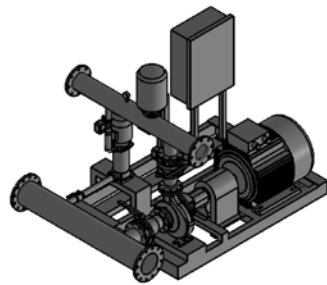
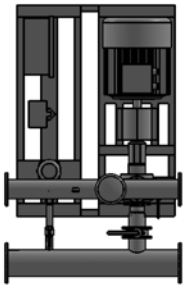


AUE - (1 ELECTRICAL FIRE PUMP + JOCKEY PUMP SYSTEM)

Q m³/h	H mWC	System Type	Electrical Pump Type	kW	Jockey Pump Type	kW	Suction Manifold	Discharge Manifold	Dimensions (mm)		
									A (width)	B (length)	C (height)
140	55	AUE 140/55	N 100-200/37	37,0	MULTI 35/6	2,0	DN125+1 1/2"	DN125	1050	1400	1500
140	60	AUE 140/60	N 100-250/45	45,0	MULTI 35/6	2,0	DN125+1 1/2"	DN125	1100	1500	1560
140	65	AUE 140/65	N 100-250/45	45,0	MULTI 35/6	2,0	DN125+1 1/2"	DN125	1100	1500	1560
140	70	AUE 140/70	N 80-250/55	55,0	MULTI 35/8	3,0	DN100+1 1/2"	DN100	1350	1600	1500
140	75	AUE 140/75	N 80-250/55	55,0	MULTI 35/8	3,0	DN100+1 1/2"	DN100	1350	1600	1500
140	80	AUE 140/80	N 80-250/55	55,0	MULTI 35/8	3,0	DN100+1 1/2"	DN100	1350	1600	1500
140	85	AUE 140/85	N 80-250/55	55,0	MULTI 35/8	3,0	DN100+1 1/2"	DN100	1350	1600	1500
140	90	AUE 140/90	N 80-250/75	75,0	MULTI 35/10	4,0	DN100+1 1/2"	DN100	1450	1650	1540
140	95	AUE 140/95	N 80-250/75	75,0	MULTI 35/10	4,0	DN100+1 1/2"	DN100	1450	1650	1540
140	100	AUE 140/100	N 80-250/75	75,0	MULTI 35/10	4,0	DN100+1 1/2"	DN100	1450	1650	1540
140	105	AUE 140/105	N 80-315/75	75,0	MULTI 35/10	4,0	DN100+1 1/2"	DN100	1450	1700	1610
140	110	AUE 140/110	N 80-315/90	90,0	MULTI 35/10	4,0	DN100+1 1/2"	DN100	1450	1700	1610
140	115	AUE 140/115	N 80-315/90	90,0	MULTI 35/10	4,0	DN100+1 1/2"	DN100	1450	1700	1610
140	120	AUE 140/120	N 80-315/90	90,0	MULTI 35/10	4,0	DN100+1 1/2"	DN100	1450	1700	1610

150	45	AUE 150/45	N 100-200/37	37,0	MULTI 35/6	2,0	DN125+1 1/2"	DN125	1050	1400	1500
150	50	AUE 150/50	N 100-200/37	37,0	MULTI 35/6	2,0	DN125+1 1/2"	DN125	1050	1400	1500
150	55	AUE 150/55	N 100-250/45	45,0	MULTI 35/6	2,0	DN125+1 1/2"	DN125	1100	1500	1560
150	60	AUE 150/60	N 100-250/45	45,0	MULTI 35/6	2,0	DN125+1 1/2"	DN125	1100	1500	1560
150	65	AUE 150/65	N 100-250/55	55,0	MULTI 35/6	2,0	DN125+1 1/2"	DN125	1350	1600	1580
150	70	AUE 150/70	N 100-250/55	55,0	MULTI 35/8	3,0	DN125+1 1/2"	DN125	1350	1600	1580
150	75	AUE 150/75	N 80-250/55	55,0	MULTI 35/8	3,0	DN100+1 1/2"	DN100	1350	1600	1580
150	80	AUE 150/80	N 80-250/55	55,0	MULTI 35/8	3,0	DN100+1 1/2"	DN100	1350	1600	1580
150	85	AUE 150/85	N 80-250/75	75,0	MULTI 35/8	3,0	DN100+1 1/2"	DN100	1450	1650	1540
150	90	AUE 150/90	N 80-250/75	75,0	MULTI 35/10	4,0	DN100+1 1/2"	DN100	1450	1650	1540
150	95	AUE 150/95	N 80-250/75	75,0	MULTI 35/10	4,0	DN100+1 1/2"	DN100	1450	1650	1540
150	100	AUE 150/100	N 80-250/75	75,0	MULTI 35/10	4,0	DN100+1 1/2"	DN100	1450	1650	1540
150	105	AUE 150/105	N 80-315/75	75,0	MULTI 35/10	4,0	DN100+1 1/2"	DN100	1450	1650	1540
150	110	AUE 150/110	N 80-315/90	90,0	MULTI 35/10	4,0	DN100+1 1/2"	DN100	1450	1700	1610
150	115	AUE 150/115	N 80-315/90	90,0	MULTI 35/10	4,0	DN100+1 1/2"	DN100	1450	1700	1610
150	120	AUE 150/120	N 80-315/90	90,0	MULTI 35/10	4,0	DN100+1 1/2"	DN100	1450	1700	1610

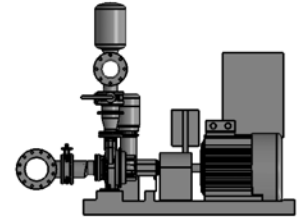
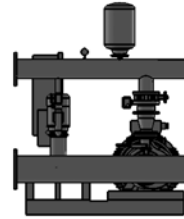
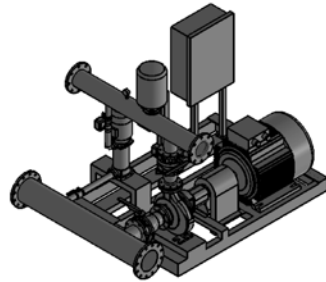
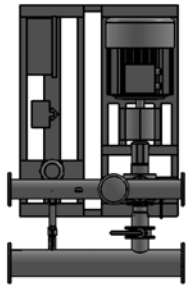
160	55	AUE 160/55	N 100-200/45	45,0	MULTI 35/6	2,0	DN125+1 1/2"	DN125	1100	1500	1550
160	60	AUE 160/60	N 100-200/45	45,0	MULTI 35/6	2,0	DN125+1 1/2"	DN125	1100	1500	1550
160	65	AUE 160/65	N 100-250/55	55,0	MULTI 35/6	2,0	DN125+1 1/2"	DN125	1350	1600	1580
160	70	AUE 160/70	N 100-250/55	55,0	MULTI 35/8	3,0	DN125+1 1/2"	DN125	1350	1600	1580
160	75	AUE 160/75	N 100-250/75	75,0	MULTI 35/8	3,0	DN125+1 1/2"	DN125	1450	1700	1600
160	80	AUE 160/80	N 100-250/75	75,0	MULTI 35/8	3,0	DN125+1 1/2"	DN125	1450	1700	1600
160	85	AUE 160/85	N 80-250/75	75,0	MULTI 35/8	3,0	DN100+1 1/2"	DN100	1450	1650	1540
160	90	AUE 160/90	N 80-250/75	75,0	MULTI 35/10	4,0	DN100+1 1/2"	DN100	1450	1650	1540
160	95	AUE 160/95	N 80-250/75	75,0	MULTI 35/10	4,0	DN100+1 1/2"	DN100	1450	1650	1540
160	100	AUE 160/100	N 80-250/75	75,0	MULTI 35/10	4,0	DN100+1 1/2"	DN100	1450	1650	1540
160	105	AUE 160/105	N 80-315/90	90,0	MULTI 35/10	4,0	DN100+1 1/2"	DN100	1450	1700	1610
160	110	AUE 160/110	N 80-315/90	90,0	MULTI 35/10	4,0	DN100+1 1/2"	DN100	1450	1700	1610
160	115	AUE 160/115	N 80-315/90	90,0	MULTI 35/10	4,0	DN100+1 1/2"	DN100	1450	1700	1610
160	120	AUE 160/120	N 80-315/90	90,0	MULTI 35/10	4,0	DN100+1 1/2"	DN100	1450	1700	1610



AUE - (1 ELECTRICAL FIRE PUMP + JOCKEY PUMP SYSTEM)											
Q m³/h	H mWC	System Type	Electrical Pump Type	kW	Jockey Pump Type	kW	Suction Manifold	Discharge Manifold	Dimensions (mm)		
									A (width)	B (length)	C (height)
170	55	AUE 170/55	N 100-200/55	55,0	MULTI 35/6	2,0	DN125+1 1/2"	DN125	1150	1500	1580
170	60	AUE 170/60	N 100-250/55	55,0	MULTI 35/6	2,0	DN125+1 1/2"	DN125	1350	1600	1580
170	65	AUE 170/65	N 100-250/55	55,0	MULTI 35/6	2,0	DN125+1 1/2"	DN125	1350	1600	1580
170	70	AUE 170/70	N 100-250/75	75,0	MULTI 35/8	3,0	DN125+1 1/2"	DN125	1450	1700	1600
170	75	AUE 170/75	N 100-250/75	75,0	MULTI 35/8	3,0	DN125+1 1/2"	DN125	1450	1700	1600
170	80	AUE 170/80	N 100-250/75	75,0	MULTI 35/8	3,0	DN125+1 1/2"	DN125	1450	1700	1600
170	85	AUE 170/85	N 100-250/75	75,0	MULTI 35/8	3,0	DN125+1 1/2"	DN125	1450	1700	1600
170	90	AUE 170/90	N 80-250/75	75,0	MULTI 35/10	4,0	DN100+1 1/2"	DN100	1450	1650	1540
170	95	AUE 170/95	N 80-250/75	75,0	MULTI 35/10	4,0	DN100+1 1/2"	DN100	1450	1650	1540
170	100	AUE 170/100	N 80-250/90	90,0	MULTI 35/10	4,0	DN100+1 1/2"	DN100	1450	1650	1540
170	105	AUE 170/105	N 80-315/90	90,0	MULTI 35/10	4,0	DN100+1 1/2"	DN100	1450	1700	1610
170	110	AUE 170/110	N 80-315/90	90,0	MULTI 35/10	4,0	DN100+1 1/2"	DN100	1450	1700	1610
170	115	AUE 170/115	N 80-315/90	90,0	MULTI 35/10	4,0	DN100+1 1/2"	DN100	1450	1700	1610
170	120	AUE 170/120	N 80-315/110	110,0	MULTI 35/10	4,0	DN100+1 1/2"	DN100	1700	1900	1670

180	45	AUE 180/45	N 100-200/45	45,0	MULTI 35/6	2,0	DN125+1 1/2"	DN125	1100	1500	1550
180	50	AUE 180/50	N 100-200/45	45,0	MULTI 35/6	2,0	DN125+1 1/2"	DN125	1100	1500	1550
180	55	AUE 180/55	N 100-250/55	55,0	MULTI 35/6	2,0	DN125+1 1/2"	DN125	1350	1600	1580
180	60	AUE 180/60	N 100-250/55	55,0	MULTI 35/6	2,0	DN125+1 1/2"	DN125	1350	1600	1580
180	65	AUE 180/65	N 100-250/55	55,0	MULTI 35/6	2,0	DN125+1 1/2"	DN125	1350	1600	1580
180	70	AUE 180/70	N 100-250/75	75,0	MULTI 35/8	3,0	DN125+1 1/2"	DN125	1450	1700	1600
180	75	AUE 180/75	N 100-250/75	75,0	MULTI 35/8	3,0	DN125+1 1/2"	DN125	1450	1700	1600
180	80	AUE 180/80	N 100-250/75	75,0	MULTI 35/8	3,0	DN125+1 1/2"	DN125	1450	1700	1600
180	85	AUE 180/85	N 100-250/75	75,0	MULTI 35/8	3,0	DN125+1 1/2"	DN125	1450	1700	1600
180	90	AUE 180/90	N 100-250/90	90,0	MULTI 35/10	4,0	DN125+1 1/2"	DN125	1450	1700	1700
180	95	AUE 180/95	N 100-250/90	90,0	MULTI 35/10	4,0	DN125+1 1/2"	DN125	1450	1700	1700
180	100	AUE 180/100	N 80-315/90	90,0	MULTI 35/10	4,0	DN100+1 1/2"	DN100	1450	1700	1610
180	105	AUE 180/105	N 80-315/90	90,0	MULTI 35/10	4,0	DN100+1 1/2"	DN100	1450	1700	1610
180	110	AUE 180/110	N 80-315/90	90,0	MULTI 35/10	4,0	DN100+1 1/2"	DN100	1450	1700	1610
180	115	AUE 180/115	N 80-315/110	110,0	MULTI 35/10	4,0	DN100+1 1/2"	DN100	1700	1900	1670
180	120	AUE 180/120	N 80-315/110	110,0	MULTI 35/10	4,0	DN100+1 1/2"	DN100	1700	1900	1670

190	55	AUE 190/55	N 100-200/55	55,0	MULTI 35/6	2,0	DN125+1 1/2"	DN125	1350	1600	1580
190	60	AUE 190/60	N 100-200/55	55,0	MULTI 35/6	2,0	DN125+1 1/2"	DN125	1350	1600	1580
190	65	AUE 190/65	N 100-250/55	55,0	MULTI 35/6	2,0	DN125+1 1/2"	DN125	1350	1600	1580
190	70	AUE 190/70	N 100-250/75	75,0	MULTI 35/8	3,0	DN125+1 1/2"	DN125	1450	1700	1600
190	75	AUE 190/75	N 100-250/75	75,0	MULTI 35/8	3,0	DN125+1 1/2"	DN125	1450	1700	1600
190	80	AUE 190/80	N 100-250/75	75,0	MULTI 35/8	3,0	DN125+1 1/2"	DN125	1450	1700	1600
190	85	AUE 190/85	N 100-250/90	90,0	MULTI 35/8	3,0	DN125+1 1/2"	DN125	1450	1700	1700
190	90	AUE 190/90	N 100-250/90	90,0	MULTI 35/10	4,0	DN125+1 1/2"	DN125	1450	1700	1700
190	95	AUE 190/95	N 100-250/110	110,0	MULTI 35/10	4,0	DN125+1 1/2"	DN125	1700	1900	1670
190	100	AUE 190/100	N 80-315/90	90,0	MULTI 35/10	4,0	DN100+1 1/2"	DN100	1450	1700	1610
190	105	AUE 190/105	N 80-315/90	90,0	MULTI 35/10	4,0	DN100+1 1/2"	DN100	1450	1700	1610
190	110	AUE 190/110	N 80-315/110	110,0	MULTI 35/10	4,0	DN100+1 1/2"	DN100	1700	1900	1670
190	115	AUE 190/115	N 80-315/110	110,0	MULTI 35/10	4,0	DN100+1 1/2"	DN100	1700	1900	1670
190	120	AUE 190/120	N 80-315/110	110,0	MULTI 35/10	4,0	DN100+1 1/2"	DN100	1700	1900	1670

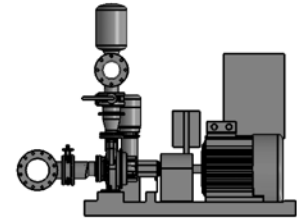
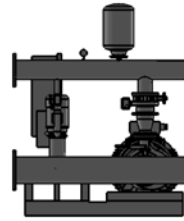
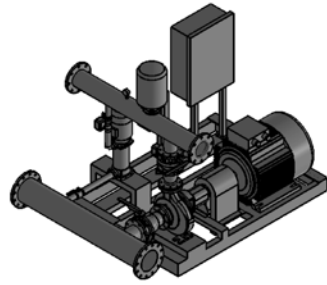
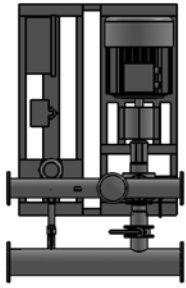


AUE - (1 ELECTRICAL FIRE PUMP + JOCKEY PUMP SYSTEM)

Q m³/h	H mWC	System Type	Electrical Pump Type	kW	Jockey Pump Type	kW	Suction Manifold	Discharge Manifold	Dimensions (mm)		
									A (width)	B (length)	C (height)
200	55	AUE 200/55	N 100-200/55	55,0	MULTI 35/6	2,0	DN125+1 1/2"	DN125	1350	1600	1580
200	60	AUE 200/60	N 100-200/55	55,0	MULTI 35/6	2,0	DN125+1 1/2"	DN125	1350	1600	1580
200	65	AUE 200/65	N 100-250/75	75,0	MULTI 35/6	2,0	DN125+1 1/2"	DN125	1450	1700	1600
200	70	AUE 200/70	N 100-250/75	75,0	MULTI 35/8	3,0	DN125+1 1/2"	DN125	1450	1700	1600
200	75	AUE 200/75	N 100-250/75	75,0	MULTI 35/8	3,0	DN125+1 1/2"	DN125	1450	1700	1600
200	80	AUE 200/80	N 100-250/90	90,0	MULTI 35/8	3,0	DN125+1 1/2"	DN125	1450	1700	1700
200	85	AUE 200/85	N 100-250/90	90,0	MULTI 35/8	3,0	DN125+1 1/2"	DN125	1450	1700	1700
200	90	AUE 200/90	N 100-250/90	90,0	MULTI 35/10	4,0	DN125+1 1/2"	DN125	1450	1700	1700
200	95	AUE 200/95	N 100-250/110	110,0	MULTI 35/10	4,0	DN125+1 1/2"	DN125	1700	1900	1670
200	100	AUE 200/100	N 100-250/110	110,0	MULTI 35/10	4,0	DN125+1 1/2"	DN125	1700	1900	1670
200	105	AUE 200/105	N 80-315/110	110,0	MULTI 35/10	4,0	DN100+1 1/2"	DN100	1700	1900	1670
200	110	AUE 200/110	N 80-315/110	110,0	MULTI 35/10	4,0	DN100+1 1/2"	DN100	1700	1900	1670
200	115	AUE 200/115	N 80-315/110	110,0	MULTI 35/10	4,0	DN100+1 1/2"	DN100	1700	1900	1670
200	120	AUE 200/120	N 80-315/110	110,0	MULTI 35/10	4,0	DN100+1 1/2"	DN100	1700	1900	1670

210	45	AUE 210/45	N 100-200/45	45,0	MULTI 35/6	2,0	DN125+1 1/2"	DN125	1100	1500	1550
210	50	AUE 210/50	N 100-200/55	55,0	MULTI 35/6	2,0	DN125+1 1/2"	DN125	1350	1600	1580
210	55	AUE 210/55	N 100-200/55	55,0	MULTI 35/6	2,0	DN125+1 1/2"	DN125	1350	1600	1580
210	60	AUE 210/60	N 100-250/75	75,0	MULTI 35/6	2,0	DN125+1 1/2"	DN125	1450	1700	1600
210	65	AUE 210/65	N 100-250/75	75,0	MULTI 35/6	2,0	DN125+1 1/2"	DN125	1450	1700	1600
210	70	AUE 210/70	N 100-250/75	75,0	MULTI 35/8	3,0	DN125+1 1/2"	DN125	1450	1700	1600
210	75	AUE 210/75	N 100-250/75	75,0	MULTI 35/8	3,0	DN125+1 1/2"	DN125	1450	1700	1600
210	80	AUE 210/80	N 100-250/90	90,0	MULTI 35/8	3,0	DN125+1 1/2"	DN125	1450	1700	1700
210	85	AUE 210/85	N 100-250/90	90,0	MULTI 35/8	3,0	DN125+1 1/2"	DN125	1450	1700	1700
210	90	AUE 210/90	N 100-250/90	90,0	MULTI 35/10	4,0	DN125+1 1/2"	DN125	1450	1700	1700
210	95	AUE 210/95	N 100-250/110	110,0	MULTI 35/10	4,0	DN125+1 1/2"	DN125	1700	1900	1670
210	100	AUE 210/100	N 100-250/110	110,0	MULTI 35/10	4,0	DN125+1 1/2"	DN125	1700	1900	1670
210	105	AUE 210/105	N 100-315/110	110,0	MULTI 35/10	4,0	DN125+1 1/2"	DN125	1700	1900	1750
210	110	AUE 210/110	N 100-315/110	110,0	MULTI 35/10	4,0	DN125+1 1/2"	DN125	1700	1900	1750
210	115	AUE 210/115	N 100-315/110	110,0	MULTI 35/10	4,0	DN125+1 1/2"	DN125	1700	1900	1750
210	120	AUE 210/120	N 100-315/132	132,0	MULTI 35/10	4,0	DN125+1 1/2"	DN125	1700	1900	1750

220	55	AUE 220/55	N 100-200/55	55,0	MULTI 35/6	2,0	DN125+1 1/2"	DN125	1350	1600	1580
220	60	AUE 220/60	N 100-250/75	75,0	MULTI 35/6	2,0	DN125+1 1/2"	DN125	1450	1700	1600
220	65	AUE 220/65	N 100-250/75	75,0	MULTI 35/6	2,0	DN125+1 1/2"	DN125	1450	1700	1600
220	70	AUE 220/70	N 100-250/75	75,0	MULTI 35/8	3,0	DN125+1 1/2"	DN125	1450	1700	1600
220	75	AUE 220/75	N 100-250/75	75,0	MULTI 35/8	3,0	DN125+1 1/2"	DN125	1450	1700	1600
220	80	AUE 220/80	N 100-250/90	90,0	MULTI 35/8	3,0	DN125+1 1/2"	DN125	1450	1700	1700
220	85	AUE 220/85	N 100-250/90	90,0	MULTI 35/8	3,0	DN125+1 1/2"	DN125	1450	1700	1700
220	90	AUE 220/90	N 100-250/110	110,0	MULTI 35/10	4,0	DN125+1 1/2"	DN125	1700	1900	1670
220	95	AUE 220/95	N 100-250/110	110,0	MULTI 35/10	4,0	DN125+1 1/2"	DN125	1700	1900	1670
220	100	AUE 220/100	N 100-250/110	110,0	MULTI 35/10	4,0	DN125+1 1/2"	DN125	1700	1900	1670
220	105	AUE 220/105	N 100-315/110	110,0	MULTI 35/10	4,0	DN125+1 1/2"	DN125	1700	1900	1750
220	110	AUE 220/110	N 100-315/110	110,0	MULTI 35/10	4,0	DN125+1 1/2"	DN125	1700	1900	1750
220	115	AUE 220/115	N 100-315/132	132,0	MULTI 35/10	4,0	DN125+1 1/2"	DN125	1700	1900	1750
220	120	AUE 220/120	N 100-315/132	132,0	MULTI 35/10	4,0	DN125+1 1/2"	DN125	1700	1900	1750

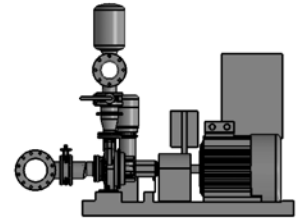
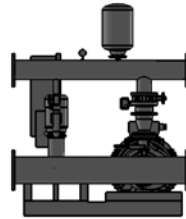
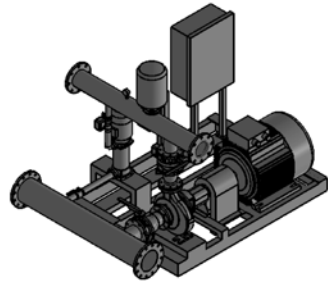
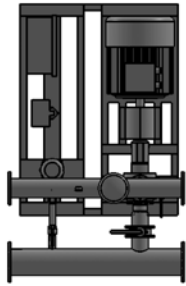


AUE - (1 ELECTRICAL FIRE PUMP + JOCKEY PUMP SYSTEM)

Q m³/h	H mWC	System Type	Electrical Pump Type	kW	Jockey Pump Type	kW	Suction Manifold	Discharge Manifold	Dimensions (mm)		
									A (width)	B (length)	C (height)
230	55	AUE 230/55	N 100-200/55	55,0	MULTI 35/6	2,0	DN125+1 1/2"	DN125	1350	1600	1580
230	60	AUE 230/60	N 100-250/75	75,0	MULTI 35/6	2,0	DN125+1 1/2"	DN125	1450	1700	1600
230	65	AUE 230/65	N 100-250/75	75,0	MULTI 35/6	2,0	DN125+1 1/2"	DN125	1450	1700	1600
230	70	AUE 230/70	N 100-250/75	75,0	MULTI 35/8	3,0	DN125+1 1/2"	DN125	1450	1700	1600
230	75	AUE 230/75	N 100-250/90	90,0	MULTI 35/8	3,0	DN125+1 1/2"	DN125	1450	1700	1700
230	80	AUE 230/80	N 100-250/90	90,0	MULTI 35/8	3,0	DN125+1 1/2"	DN125	1450	1700	1700
230	85	AUE 230/85	N 100-250/90	90,0	MULTI 35/8	3,0	DN125+1 1/2"	DN125	1450	1700	1700
230	90	AUE 230/90	N 100-250/110	110,0	MULTI 35/10	4,0	DN125+1 1/2"	DN125	1700	1900	1670
230	95	AUE 230/95	N 100-250/110	110,0	MULTI 35/10	4,0	DN125+1 1/2"	DN125	1700	1900	1670
230	100	AUE 230/100	N 100-250/110	110,0	MULTI 35/10	4,0	DN125+1 1/2"	DN125	1700	1900	1670
230	105	AUE 230/105	N 100-315/110	110,0	MULTI 35/10	4,0	DN125+1 1/2"	DN125	1700	1900	1750
230	110	AUE 230/110	N 100-315/132	132,0	MULTI 35/10	4,0	DN125+1 1/2"	DN125	1700	1900	1750
230	115	AUE 230/115	N 100-315/132	132,0	MULTI 35/10	4,0	DN125+1 1/2"	DN125	1700	1900	1750
230	120	AUE 230/120	N 100-315/132	132,0	MULTI 35/10	4,0	DN125+1 1/2"	DN125	1700	1900	1750

240	45	AUE 240/45	N 100-200/55	55,0	MULTI 35/6	2,0	DN125+1 1/2"	DN125	1350	1600	1580
240	50	AUE 240/50	N 100-200/55	55,0	MULTI 35/6	2,0	DN125+1 1/2"	DN125	1350	1600	1580
240	55	AUE 240/55	N 100-200/75	75,0	MULTI 35/6	2,0	DN125+1 1/2"	DN125	1450	1700	1600
240	60	AUE 240/60	N 100-250/75	75,0	MULTI 35/6	2,0	DN125+1 1/2"	DN125	1450	1700	1600
240	65	AUE 240/65	N 100-250/75	75,0	MULTI 35/6	2,0	DN125+1 1/2"	DN125	1450	1700	1600
240	70	AUE 240/70	N 100-250/75	75,0	MULTI 35/8	3,0	DN125+1 1/2"	DN125	1450	1700	1600
240	75	AUE 240/75	N 100-250/90	90,0	MULTI 35/8	3,0	DN125+1 1/2"	DN125	1450	1700	1700
240	80	AUE 240/80	N 100-250/90	90,0	MULTI 35/8	3,0	DN125+1 1/2"	DN125	1450	1700	1700
240	85	AUE 240/85	N 100-250/90	90,0	MULTI 35/8	3,0	DN125+1 1/2"	DN125	1450	1700	1700
240	90	AUE 240/90	N 100-250/110	110,0	MULTI 35/10	4,0	DN125+1 1/2"	DN125	1700	1900	1670
240	95	AUE 240/95	N 100-250/110	110,0	MULTI 35/10	4,0	DN125+1 1/2"	DN125	1700	1900	1670
240	100	AUE 240/100	N 100-250/110	110,0	MULTI 35/10	4,0	DN125+1 1/2"	DN125	1700	1900	1670
240	105	AUE 240/105	N 100-315/110	110,0	MULTI 35/10	4,0	DN125+1 1/2"	DN125	1700	1900	1750
240	110	AUE 240/110	N 100-315/132	132,0	MULTI 35/10	4,0	DN125+1 1/2"	DN125	1700	1900	1750
240	115	AUE 240/115	N 100-315/132	132,0	MULTI 35/10	4,0	DN125+1 1/2"	DN125	1700	1900	1750
240	120	AUE 240/120	N 100-315/132	132,0	MULTI 35/10	4,0	DN125+1 1/2"	DN125	1700	1900	1750

250	55	AUE 250/55	N 100-200/75	75,0	MULTI 35/6	2,0	DN125+1 1/2"	DN125	1450	1700	1600
250	60	AUE 250/60	N 100-250/75	75,0	MULTI 35/6	2,0	DN125+1 1/2"	DN125	1450	1700	1600
250	65	AUE 250/65	N 100-250/75	75,0	MULTI 35/6	2,0	DN125+1 1/2"	DN125	1450	1700	1600
250	70	AUE 250/70	N 100-250/75	75,0	MULTI 35/8	3,0	DN125+1 1/2"	DN125	1450	1700	1600
250	75	AUE 250/75	N 100-250/90	90,0	MULTI 35/8	3,0	DN125+1 1/2"	DN125	1450	1700	1700
250	80	AUE 250/80	N 100-250/90	90,0	MULTI 35/8	3,0	DN125+1 1/2"	DN125	1450	1700	1700
250	85	AUE 250/85	N 100-250/110	110,0	MULTI 35/8	3,0	DN125+1 1/2"	DN125	1450	1900	1670
250	90	AUE 250/90	N 100-250/110	110,0	MULTI 35/10	4,0	DN125+1 1/2"	DN125	1700	1900	1670
250	95	AUE 250/95	N 100-250/110	110,0	MULTI 35/10	4,0	DN125+1 1/2"	DN125	1700	1900	1670
250	100	AUE 250/100	N 100-250/110	110,0	MULTI 35/10	4,0	DN125+1 1/2"	DN125	1700	1900	1670
250	105	AUE 250/105	N 125-315/132	132,0	MULTI 35/10	4,0	DN150+1 1/2"	DN150	1700	2000	1850
250	110	AUE 250/110	N 125-315/132	132,0	MULTI 35/10	4,0	DN150+1 1/2"	DN150	1700	2000	1850
250	115	AUE 250/115	N 125-315/132	132,0	MULTI 35/10	4,0	DN150+1 1/2"	DN150	1700	2000	1850
250	120	AUE 250/120	N 125-315/160	160,0	MULTI 35/10	4,0	DN150+1 1/2"	DN150	1700	2000	1850

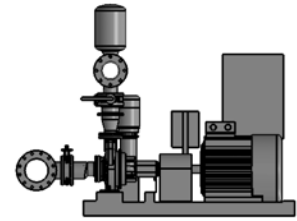
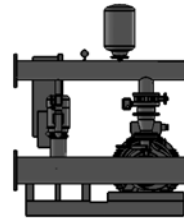
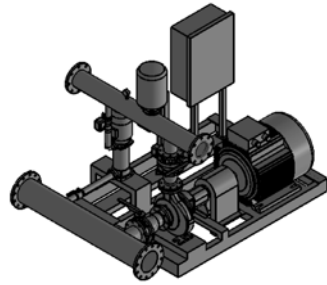
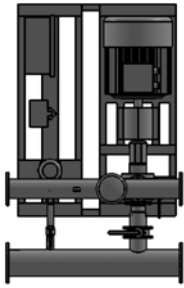


AUE - (1 ELECTRICAL FIRE PUMP + JOCKEY PUMP SYSTEM)

Q m³/h	H mWC	System Type	Electrical Pump Type	kW	Jockey Pump Type	kW	Suction Manifold	Discharge Manifold	Dimensions (mm)		
									A (width)	B (length)	C (height)
260	55	AUE 260/55	N 125-200/75	75,0	MULTI 35/6	2,0	DN150+1 1/2"	DN150	1450	1700	1800
260	60	AUE 260/60	N 125-200/75	75,0	MULTI 35/6	2,0	DN150+1 1/2"	DN150	1450	1700	1800
260	65	AUE 260/65	N 100-250/75	75,0	MULTI 35/6	2,0	DN125+1 1/2"	DN125	1450	1700	1600
260	70	AUE 260/70	N 100-250/90	90,0	MULTI 35/8	3,0	DN125+1 1/2"	DN125	1450	1700	1600
260	75	AUE 260/75	N 100-250/90	90,0	MULTI 35/8	3,0	DN125+1 1/2"	DN125	1450	1700	1600
260	80	AUE 260/80	N 100-250/90	90,0	MULTI 35/8	3,0	DN125+1 1/2"	DN125	1450	1700	1600
260	85	AUE 260/85	N 100-250/110	110,0	MULTI 35/8	3,0	DN125+1 1/2"	DN125	1450	1700	1600
260	90	AUE 260/90	N 100-250/110	110,0	MULTI 35/10	4,0	DN125+1 1/2"	DN125	1450	1700	1600
260	95	AUE 260/95	N 100-250/110	110,0	MULTI 35/10	4,0	DN125+1 1/2"	DN125	1450	1700	1600
260	100	AUE 260/100	N 125-315/132	132,0	MULTI 35/10	4,0	DN150+1 1/2"	DN150	1700	2000	1850
260	105	AUE 260/105	N 125-315/132	132,0	MULTI 35/10	4,0	DN150+1 1/2"	DN150	1700	2000	1850
260	110	AUE 260/110	N 125-315/132	132,0	MULTI 35/10	4,0	DN150+1 1/2"	DN150	1700	2000	1850
260	115	AUE 260/115	N 125-315/132	132,0	MULTI 35/10	4,0	DN150+1 1/2"	DN150	1700	2000	1850
260	120	AUE 260/120	N 125-315/160	160,0	MULTI 35/10	4,0	DN150+1 1/2"	DN150	1700	2000	1850

280	45	AUE 280/45	N 125-200/55	55,0	MULTI 35/6	2,0	DN150+1 1/2"	DN150	1450	1700	1800
280	50	AUE 280/50	N 125-200/75	75,0	MULTI 35/6	2,0	DN150+1 1/2"	DN150	1450	1700	1800
280	55	AUE 280/55	N 125-200/75	75,0	MULTI 35/6	2,0	DN150+1 1/2"	DN150	1450	1700	1800
280	60	AUE 280/60	N 125-200/75	75,0	MULTI 35/6	2,0	DN150+1 1/2"	DN150	1450	1700	1800
280	65	AUE 280/65	N 125-250/90	90,0	MULTI 35/6	2,0	DN150+1 1/2"	DN150	1450	1700	1800
280	70	AUE 280/70	N 100-250/90	90,0	MULTI 35/8	3,0	DN125+1 1/2"	DN125	1450	1700	1600
280	75	AUE 280/75	N 100-250/90	90,0	MULTI 35/8	3,0	DN125+1 1/2"	DN125	1450	1700	1600
280	80	AUE 280/80	N 100-250/110	110,0	MULTI 35/8	3,0	DN125+1 1/2"	DN125	1450	1700	1600
280	85	AUE 280/85	N 100-250/110	110,0	MULTI 35/8	3,0	DN125+1 1/2"	DN125	1450	1700	1600
280	90	AUE 280/90	N 100-250/110	110,0	MULTI 35/10	4,0	DN125+1 1/2"	DN125	1450	1700	1600
280	95	AUE 280/95	N 100-250/132	132,0	MULTI 35/10	4,0	DN125+1 1/2"	DN125	1450	1700	1600
280	100	AUE 280/100	N 125-315/132	132,0	MULTI 35/10	4,0	DN150+1 1/2"	DN150	1700	2000	1850
280	105	AUE 280/105	N 125-315/132	132,0	MULTI 35/10	4,0	DN150+1 1/2"	DN150	1700	2000	1850
280	110	AUE 280/110	N 125-315/132	132,0	MULTI 35/10	4,0	DN150+1 1/2"	DN150	1700	2000	1850
280	115	AUE 280/115	N 125-315/160	160,0	MULTI 35/10	4,0	DN150+1 1/2"	DN150	1700	2000	1850
280	120	AUE 280/120	N 125-315/160	160,0	MULTI 35/10	4,0	DN150+1 1/2"	DN150	1700	2000	1850

300	65	AUE 300/65	N 125-250/90	90,0	MULTI 35/6	2,0	DN150+1 1/2"	DN150	1450	1700	1800
300	70	AUE 300/70	N 125-250/110	110,0	MULTI 35/8	3,0	DN150+1 1/2"	DN150	1700	1900	1850
300	75	AUE 300/75	N 125-250/110	110,0	MULTI 35/8	3,0	DN150+1 1/2"	DN150	1700	1900	1850
300	80	AUE 300/80	N 125-250/132	132,0	MULTI 35/8	3,0	DN150+1 1/2"	DN150	1700	2000	1850
300	85	AUE 300/85	N 125-250/132	132,0	MULTI 35/8	3,0	DN150+1 1/2"	DN150	1700	2000	1850
300	90	AUE 300/90	N 125-250/160	160,0	MULTI 35/10	4,0	DN150+1 1/2"	DN150	1700	2000	1850
300	95	AUE 300/95	N 125-250/160	160,0	MULTI 35/10	4,0	DN150+1 1/2"	DN150	1700	2000	1850
300	100	AUE 300/100	N 125-315/132	132,0	MULTI 35/10	4,0	DN150+1 1/2"	DN150	1700	2000	1850
300	105	AUE 300/105	N 125-315/132	132,0	MULTI 35/10	4,0	DN150+1 1/2"	DN150	1700	2000	1850
300	110	AUE 300/110	N 125-315/132	132,0	MULTI 35/10	4,0	DN150+1 1/2"	DN150	1700	2000	1850
300	115	AUE 300/115	N 125-315/160	160,0	MULTI 35/10	4,0	DN150+1 1/2"	DN150	1700	2000	1850
300	120	AUE 300/120	N 125-315/160	160,0	MULTI 35/10	4,0	DN150+1 1/2"	DN150	1700	2000	1850

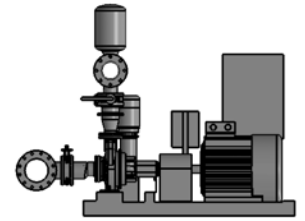
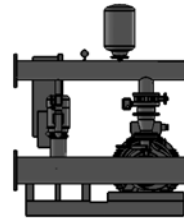
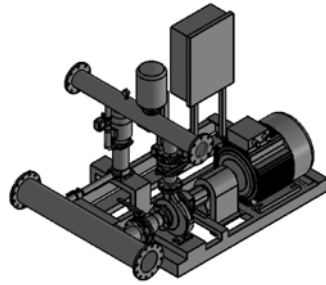
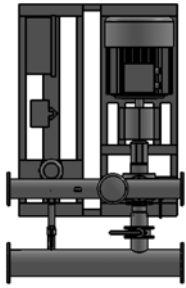


AUE - (1 ELECTRICAL FIRE PUMP + JOCKEY PUMP SYSTEM)

Q m³/h	H mWC	System Type	Electrical Pump Type	kW	Jockey Pump Type	kW	Suction Manifold	Discharge Manifold	Dimensions (mm)		
									A (width)	B (length)	C (height)
320	65	AUE 320/65	N 125-250/110	110,0	MULTI 35/6	2,0	DN150+1 1/2"	DN150	1700	1900	1850
320	70	AUE 320/70	N 125-250/110	110,0	MULTI 35/8	3,0	DN150+1 1/2"	DN150	1700	1900	1850
320	75	AUE 320/75	N 125-250/110	110,0	MULTI 35/8	3,0	DN150+1 1/2"	DN150	1700	1900	1850
320	80	AUE 320/80	N 125-250/132	132,0	MULTI 35/8	3,0	DN150+1 1/2"	DN150	1700	2000	1850
320	85	AUE 320/85	N 125-250/132	132,0	MULTI 35/8	3,0	DN150+1 1/2"	DN150	1700	2000	1850
320	90	AUE 320/90	N 125-250/160	160,0	MULTI 35/10	4,0	DN150+1 1/2"	DN150	1700	2000	1850
320	95	AUE 320/95	N 125-250/160	160,0	MULTI 35/10	4,0	DN150+1 1/2"	DN150	1700	2000	1850
320	100	AUE 320/100	N 125-315/132	132,0	MULTI 35/10	4,0	DN150+1 1/2"	DN150	1700	2000	1850
320	105	AUE 320/105	N 125-315/132	132,0	MULTI 35/10	4,0	DN150+1 1/2"	DN150	1700	2000	1850
320	110	AUE 320/110	N 125-315/160	160,0	MULTI 35/10	4,0	DN150+1 1/2"	DN150	1700	2000	1850
320	115	AUE 320/115	N 125-315/160	160,0	MULTI 35/10	4,0	DN150+1 1/2"	DN150	1700	2000	1850
320	120	AUE 320/120	N 125-315/160	160,0	MULTI 35/10	4,0	DN150+1 1/2"	DN150	1700	2000	1850

340	55	AUE 340/55	N 125-200/75	75,0	MULTI 35/6	2,0	DN150+1 1/2"	DN150	1450	1700	1800
340	60	AUE 340/60	N 125-250/90	90,0	MULTI 35/6	2,0	DN150+1 1/2"	DN150	1450	1700	1800
340	65	AUE 340/65	N 125-250/110	110,0	MULTI 35/6	2,0	DN150+1 1/2"	DN150	1700	1900	1850
340	70	AUE 340/70	N 125-250/110	110,0	MULTI 35/8	3,0	DN150+1 1/2"	DN150	1700	1900	1850
340	75	AUE 340/75	N 125-250/132	132,0	MULTI 35/8	3,0	DN150+1 1/2"	DN150	1700	2000	1850
340	80	AUE 340/80	N 125-250/132	132,0	MULTI 35/8	3,0	DN150+1 1/2"	DN150	1700	2000	1850
340	85	AUE 340/85	N 125-250/132	132,0	MULTI 35/8	3,0	DN150+1 1/2"	DN150	1700	2000	1850
340	90	AUE 340/90	N 125-250/160	160,0	MULTI 35/10	4,0	DN150+1 1/2"	DN150	1700	2000	1850
340	95	AUE 340/95	N 125-250/160	160,0	MULTI 35/10	4,0	DN150+1 1/2"	DN150	1700	2000	1850
340	100	AUE 340/100	N 125-315/160	160,0	MULTI 35/10	4,0	DN150+1 1/2"	DN150	1700	2000	1850
340	105	AUE 340/105	N 125-315/160	160,0	MULTI 35/10	4,0	DN150+1 1/2"	DN150	1700	2000	1850
340	110	AUE 340/110	N 125-315/160	160,0	MULTI 35/10	4,0	DN150+1 1/2"	DN150	1700	2000	1850
340	115	AUE 340/115	N 125-315/160	160,0	MULTI 35/10	4,0	DN150+1 1/2"	DN150	1700	2000	1850
340	120	AUE 340/120	N 125-315/185	185,0	MULTI 35/10	4,0	DN150+1 1/2"	DN150	1700	2000	1850

360	55	AUE 360/55	N 125-250/90	90,0	MULTI 35/6	2,0	DN150+1 1/2"	DN150	1450	1700	1800
360	60	AUE 360/60	N 125-250/90	90,0	MULTI 35/6	2,0	DN150+1 1/2"	DN150	1450	1700	1800
360	65	AUE 360/65	N 125-250/110	110,0	MULTI 35/6	2,0	DN150+1 1/2"	DN150	1700	1900	1850
360	70	AUE 360/70	N 125-250/110	110,0	MULTI 35/8	3,0	DN150+1 1/2"	DN150	1700	1900	1850
360	75	AUE 360/75	N 125-250/132	132,0	MULTI 35/8	3,0	DN150+1 1/2"	DN150	1700	2000	1850
360	80	AUE 360/80	N 125-250/132	132,0	MULTI 35/8	3,0	DN150+1 1/2"	DN150	1700	2000	1850
360	85	AUE 360/85	N 125-250/132	132,0	MULTI 35/8	3,0	DN150+1 1/2"	DN150	1700	2000	1850
360	90	AUE 360/90	N 125-250/160	160,0	MULTI 35/10	4,0	DN150+1 1/2"	DN150	1700	2000	1850
360	95	AUE 360/95	N 125-250/160	160,0	MULTI 35/10	4,0	DN150+1 1/2"	DN150	1700	2000	1850
360	100	AUE 360/100	N 125-315/160	160,0	MULTI 35/10	4,0	DN150+1 1/2"	DN150	1700	2000	1850
360	105	AUE 360/105	N 125-315/160	160,0	MULTI 35/10	4,0	DN150+1 1/2"	DN150	1700	2000	1850
360	110	AUE 360/110	N 125-315/160	160,0	MULTI 35/10	4,0	DN150+1 1/2"	DN150	1700	2000	1850
360	115	AUE 360/115	N 125-315/185	185,0	MULTI 35/10	4,0	DN150+1 1/2"	DN150	1700	2000	1850
360	120	AUE 360/120	N 125-315/185	185,0	MULTI 35/10	4,0	DN150+1 1/2"	DN150	1700	2000	1850

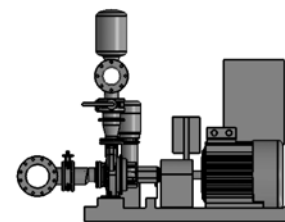
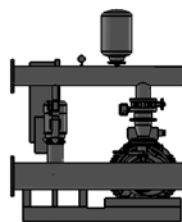
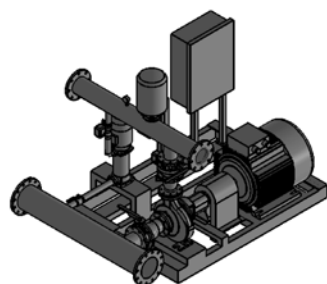
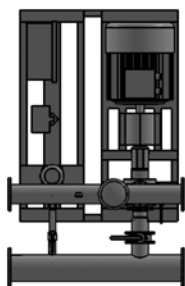


AUE - (1 ELECTRICAL FIRE PUMP + JOCKEY PUMP SYSTEM)

Q m³/h	H mWC	System Type	Electrical Pump Type	kW	Jockey Pump Type	kW	Suction Manifold	Discharge Manifold	Dimensions (mm)		
									A (width)	B (length)	C (height)
380	75	AUE 380/75	N 125-250/132	132,0	MULTI 35/8	3,0	DN150+1 1/2"	DN150	1700	2000	1850
380	80	AUE 380/80	N 125-250/132	132,0	MULTI 35/8	3,0	DN150+1 1/2"	DN150	1700	2000	1850
380	85	AUE 380/85	N 125-250/160	160,0	MULTI 35/8	3,0	DN150+1 1/2"	DN150	1700	2000	1850
380	90	AUE 380/90	N 125-250/160	160,0	MULTI 35/10	4,0	DN150+1 1/2"	DN150	1700	2000	1850
380	95	AUE 380/95	N 125-315/160	160,0	MULTI 35/10	4,0	DN150+1 1/2"	DN150	1700	2000	1850
380	100	AUE 380/100	N 125-315/160	160,0	MULTI 35/10	4,0	DN150+1 1/2"	DN150	1700	2000	1850
380	105	AUE 380/105	N 125-315/185	185,0	MULTI 35/10	4,0	DN150+1 1/2"	DN150	1700	2000	1850
380	110	AUE 380/110	N 125-315/185	185,0	MULTI 35/10	4,0	DN150+1 1/2"	DN150	1700	2000	1850
380	115	AUE 380/115	N 125-315/185	185,0	MULTI 35/10	4,0	DN150+1 1/2"	DN150	1700	2000	1850
380	120	AUE 380/120	N 125-315/185	185,0	MULTI 35/10	4,0	DN150+1 1/2"	DN150	1700	2000	1850

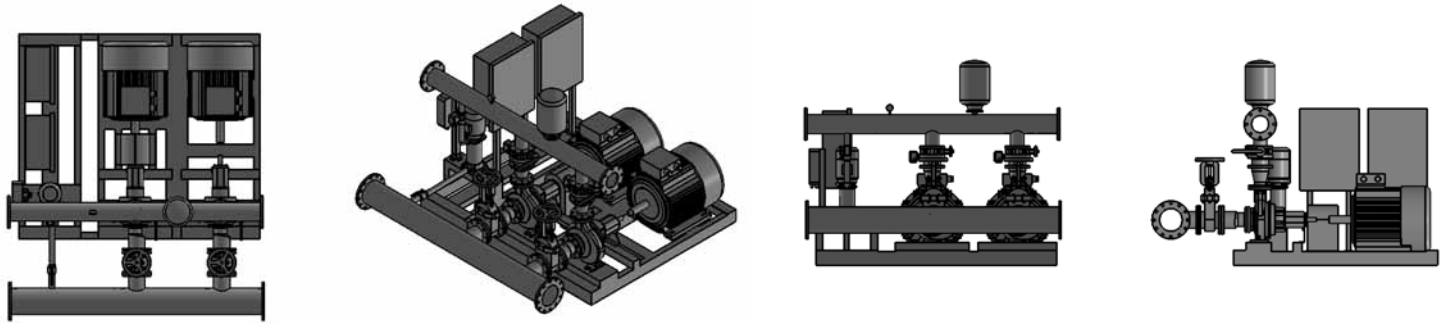
400	55	AUE 400/55	N 125-250/110	110,0	MULTI 35/6	2,0	DN150+1 1/2"	DN150	1700	1900	1850
400	60	AUE 400/60	N 125-250/110	110,0	MULTI 35/6	2,0	DN150+1 1/2"	DN150	1700	1900	1850
400	65	AUE 400/65	N 125-250/110	110,0	MULTI 35/6	2,0	DN150+1 1/2"	DN150	1700	1900	1850
400	70	AUE 400/70	N 125-250/132	132,0	MULTI 35/8	3,0	DN150+1 1/2"	DN150	1700	2000	1850
400	75	AUE 400/75	N 125-250/132	132,0	MULTI 35/8	3,0	DN150+1 1/2"	DN150	1700	2000	1850
400	80	AUE 400/80	N 125-250/132	132,0	MULTI 35/8	3,0	DN150+1 1/2"	DN150	1700	2000	1850
400	85	AUE 400/85	N 125-250/160	160,0	MULTI 35/8	3,0	DN150+1 1/2"	DN150	1700	2000	1850
400	90	AUE 400/90	N 125-250/160	160,0	MULTI 35/10	4,0	DN150+1 1/2"	DN150	1700	2000	1850
400	95	AUE 400/95	N 125-315/160	160,0	MULTI 35/10	4,0	DN150+1 1/2"	DN150	1700	2000	1850
400	100	AUE 400/100	N 125-315/160	160,0	MULTI 35/10	4,0	DN150+1 1/2"	DN150	1700	2000	1850
400	105	AUE 400/105	N 125-315/160	160,0	MULTI 35/10	4,0	DN150+1 1/2"	DN150	1700	2000	1850
400	110	AUE 400/110	N 125-315/185	185,0	MULTI 35/10	4,0	DN150+1 1/2"	DN150	1700	2000	1850
400	115	AUE 400/115	N 125-315/185	185,0	MULTI 35/10	4,0	DN150+1 1/2"	DN150	1700	2000	1850
400	120	AUE 400/120	N 125-315/200	200,0	MULTI 35/10	4,0	DN150+1 1/2"	DN150	1700	2000	1850

450	55	AUE 450/55	N 125-250/110	110,0	MULTI 35/6	2,0	DN150+1 1/2"	DN150	1700	1900	1850
450	60	AUE 450/60	N 125-250/132	132,0	MULTI 35/6	2,0	DN150+1 1/2"	DN150	1700	2000	1850
450	65	AUE 450/65	N 125-250/132	132,0	MULTI 35/6	2,0	DN150+1 1/2"	DN150	1700	2000	1850
450	70	AUE 450/70	N 125-250/132	132,0	MULTI 35/8	3,0	DN150+1 1/2"	DN150	1700	2000	1850
450	75	AUE 450/75	N 125-250/132	132,0	MULTI 35/8	3,0	DN150+1 1/2"	DN150	1700	2000	1850
450	80	AUE 450/80	N 125-250/160	160,0	MULTI 35/8	3,0	DN150+1 1/2"	DN150	1700	2000	1850
450	85	AUE 450/85	N 125-250/160	160,0	MULTI 35/8	3,0	DN150+1 1/2"	DN150	1700	2000	1850
450	90	AUE 450/90	N 125-250/185	185,0	MULTI 35/10	4,0	DN150+1 1/2"	DN150	1700	2000	1850
450	95	AUE 450/95	N 150-315/185	185,0	MULTI 35/10	4,0	DN200+1 1/2"	DN200	1700	2000	1900
450	100	AUE 450/100	N 150-315/200	200,0	MULTI 35/10	4,0	DN200+1 1/2"	DN200	1700	2000	1900
450	105	AUE 450/105	N 150-315/200	200,0	MULTI 35/10	4,0	DN200+1 1/2"	DN200	1700	2000	1900
450	110	AUE 450/110	N 150-315/250	250,0	MULTI 35/10	4,0	DN200+1 1/2"	DN200	1800	2300	2000
450	115	AUE 450/115	N 150-315/250	250,0	MULTI 35/10	4,0	DN200+1 1/2"	DN200	1800	2300	2000
450	120	AUE 450/120	N 150-315/250	250,0	MULTI 35/10	4,0	DN200+1 1/2"	DN200	1800	2300	2000

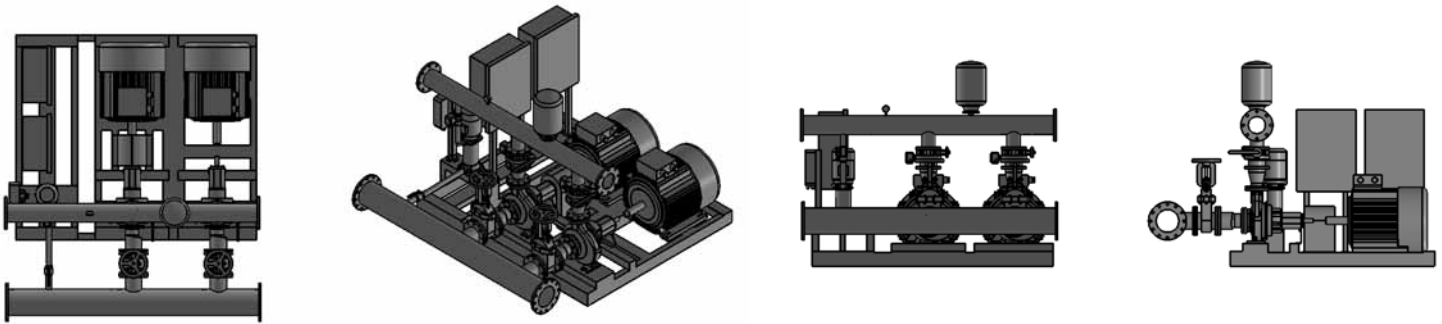


AUE - (1 ELECTRICAL FIRE PUMP + JOCKEY PUMP SYSTEM)

Q m³/h	H mWC	System Type	Electrical Pump Type	kW	Jockey Pump Type	kW	Suction Manifold	Discharge Manifold	Dimensions (mm)		
									A (width)	B (length)	C (height)
500	65	AUE 500/65	N 125-250/132	132,0	MULTI 35/6	2,0	DN150+1 1/2"	DN150	1700	2000	1850
500	70	AUE 500/70	N 125-250/160	160,0	MULTI 35/8	3,0	DN150+1 1/2"	DN150	1700	2000	1850
500	75	AUE 500/75	N 125-250/160	160,0	MULTI 35/8	3,0	DN150+1 1/2"	DN150	1700	2000	1850
500	80	AUE 500/80	N 125-250/160	160,0	MULTI 35/8	3,0	DN150+1 1/2"	DN150	1700	2000	1850
500	85	AUE 500/85	N 125-250/185	185,0	MULTI 35/8	3,0	DN150+1 1/2"	DN150	1700	2000	1850
500	90	AUE 500/90	N 125-250/185	185,0	MULTI 35/10	4,0	DN150+1 1/2"	DN150	1700	2000	1850
500	95	AUE 500/95	N 150-315/185	185,0	MULTI 35/10	4,0	DN200+1 1/2"	DN200	1700	2000	1900
500	100	AUE 500/100	N 150-315/200	200,0	MULTI 35/10	4,0	DN200+1 1/2"	DN200	1700	2000	1900
500	105	AUE 500/105	N 150-315/250	250,0	MULTI 35/10	4,0	DN200+1 1/2"	DN200	1800	2300	2000
500	110	AUE 500/110	N 150-315/250	250,0	MULTI 35/10	4,0	DN200+1 1/2"	DN200	1800	2300	2000
500	115	AUE 500/115	N 150-315/250	250,0	MULTI 35/10	4,0	DN200+1 1/2"	DN200	1800	2300	2000
500	120	AUE 500/120	N 150-315/250	250,0	MULTI 35/10	4,0	DN200+1 1/2"	DN200	1800	2300	2000



AU2E - (2 ELECTRICAL FIRE PUMPS + JOCKEY PUMP SYSTEM)													
Q m³/h	H mWC	System Type	Electrical Pump Type	kW	Electrical Pump Type	kW	Jockey Pump Type	kW	Suction Manifold	Discharge Manifold	Dimensions (mm)		
											A (width)	B (length)	C (height)
12	45	AU2E 12/45	N 32-160/4	4,0	N 32-160/4	4,0	MULTI 35/6	2,0	DN50+DN50+1 1/2"	DN65	1500	1000	1200
12	50	AU2E 12/50	N 32-200/5,5	5,5	N 32-200/5,5	5,5	MULTI 35/6	2,0	DN50+DN50+1 1/2"	DN65	1500	1000	1200
12	55	AU2E 12/55	N 32-200/5,5	5,5	N 32-200/5,5	5,5	MULTI 35/6	2,0	DN50+DN50+1 1/2"	DN65	1500	1000	1200
12	60	AU2E 12/60	N 32-200/7,5	7,5	N 32-200/7,5	7,5	MULTI 35/6	2,0	DN50+DN50+1 1/2"	DN65	1500	1000	1200
12	65	AU2E 12/65	N 32-200/7,5	7,5	N 32-200/7,5	7,5	MULTI 35/6	2,0	DN50+DN50+1 1/2"	DN65	1500	1000	1200
12	70	AU2E 12/70	N 32-250/11	11,0	N 32-250/11	11,0	MULTI 35/8	3,0	DN50+DN50+1 1/2"	DN65	1550	1100	1250
12	75	AU2E 12/75	N 32-250/11	11,0	N 32-250/11	11,0	MULTI 35/8	3,0	DN50+DN50+1 1/2"	DN65	1550	1100	1250
12	80	AU2E 12/80	N 32-250/11	11,0	N 32-250/11	11,0	MULTI 35/8	3,0	DN50+DN50+1 1/2"	DN65	1550	1100	1250
12	85	AU2E 12/85	N 32-250/11	11,0	N 32-250/11	11,0	MULTI 35/8	3,0	DN50+DN50+1 1/2"	DN65	1550	1100	1250
12	90	AU2E 12/90	N 32-250/15	15,0	N 32-250/15	15,0	MULTI 35/10	4,0	DN50+DN50+1 1/2"	DN65	1550	1100	1250
12	95	AU2E 12/95	N 32-250/15	15,0	N 32-250/15	15,0	MULTI 35/10	4,0	DN50+DN50+1 1/2"	DN65	1550	1100	1250
18	45	AU2E 18/45	N 32-200/5,5	5,5	N 32-200/5,5	5,5	MULTI 35/6	2,0	DN50+DN50+1 1/2"	DN65	1500	1000	1200
18	50	AU2E 18/50	N 32-200/5,5	5,5	N 32-200/5,5	5,5	MULTI 35/6	2,0	DN50+DN50+1 1/2"	DN65	1500	1000	1200
18	55	AU2E 18/55	N 32-200/7,5	7,5	N 32-200/7,5	7,5	MULTI 35/6	2,0	DN50+DN50+1 1/2"	DN65	1500	1000	1200
18	60	AU2E 18/60	N 32-200/7,5	7,5	N 32-200/7,5	7,5	MULTI 35/6	2,0	DN50+DN50+1 1/2"	DN65	1500	1000	1200
18	65	AU2E 18/65	N 32-250/11	11,0	N 32-250/11	11,0	MULTI 35/8	3,0	DN50+DN50+1 1/2"	DN65	1550	1100	1250
18	70	AU2E 18/70	N 32-250/11	11,0	N 32-250/11	11,0	MULTI 35/8	3,0	DN50+DN50+1 1/2"	DN65	1550	1100	1250
18	75	AU2E 18/75	N 32-250/11	11,0	N 32-250/11	11,0	MULTI 35/8	3,0	DN50+DN50+1 1/2"	DN65	1550	1100	1250
18	80	AU2E 18/80	N 32-250/11	11,0	N 32-250/11	11,0	MULTI 35/8	3,0	DN50+DN50+1 1/2"	DN65	1550	1100	1250
18	85	AU2E 18/85	N 32-250/11	11,0	N 32-250/11	11,0	MULTI 35/8	3,0	DN50+DN50+1 1/2"	DN65	1550	1100	1250
18	90	AU2E 18/90	N 32-250/15	15,0	N 32-250/15	15,0	MULTI 35/10	4,0	DN50+DN50+1 1/2"	DN65	1550	1100	1250
18	95	AU2E 18/95	N 32-250/15	15,0	N 32-250/15	15,0	MULTI 35/10	4,0	DN50+DN50+1 1/2"	DN65	1550	1100	1250
24	45	AU2E 24/45	N 40-160/7,5	7,5	N 40-160/7,5	7,5	MULTI 35/6	2,0	DN65+DN65+1 1/2"	DN80	1500	1100	1230
24	50	AU2E 24/50	N 40-160/7,5	7,5	N 40-160/7,5	7,5	MULTI 35/6	2,0	DN65+DN65+1 1/2"	DN80	1500	1100	1230
24	55	AU2E 24/55	N 40-200/11	11,0	N 40-200/11	11,0	MULTI 35/6	2,0	DN65+DN65+1 1/2"	DN80	1550	1000	1230
24	60	AU2E 24/60	N 40-200/11	11,0	N 40-200/11	11,0	MULTI 35/6	2,0	DN65+DN65+1 1/2"	DN80	1550	1000	1230
24	65	AU2E 24/65	N 40-200/11	11,0	N 40-200/11	11,0	MULTI 35/6	2,0	DN65+DN65+1 1/2"	DN80	1550	1000	1230
24	70	AU2E 24/70	N 32-250/15	15,0	N 32-250/15	15,0	MULTI 35/8	3,0	DN50+DN50+1 1/2"	DN65	1550	1100	1250
24	75	AU2E 24/75	N 32-250/18,5	18,5	N 32-250/18,5	18,5	MULTI 35/8	3,0	DN50+DN50+1 1/2"	DN65	1550	1100	1250
24	80	AU2E 24/80	N 32-250/18,5	18,5	N 32-250/18,5	18,5	MULTI 35/8	3,0	DN50+DN50+1 1/2"	DN65	1550	1100	1250
24	85	AU2E 24/85	N 32-250/18,5	18,5	N 32-250/18,5	18,5	MULTI 35/8	3,0	DN50+DN50+1 1/2"	DN65	1550	1100	1250
24	90	AU2E 24/90	N 32-250/22	22,0	N 32-250/22	22,0	MULTI 35/10	4,0	DN50+DN50+1 1/2"	DN65	1550	1100	1250
24	95	AU2E 24/95	N 32-250/22	22,0	N 32-250/22	22,0	MULTI 35/10	4,0	DN50+DN50+1 1/2"	DN65	1550	1100	1250
36	45	AU2E 36/45	N 50-200/11	11,0	N 50-200/11	11,0	MULTI 35/6	2,0	DN65+DN65+1 1/2"	DN100	1550	1100	1280
36	50	AU2E 36/50	N 50-200/11	11,0	N 50-200/11	11,0	MULTI 35/6	2,0	DN65+DN65+1 1/2"	DN100	1550	1100	1280
36	55	AU2E 36/55	N 50-200/15	15,0	N 50-200/15	15,0	MULTI 35/6	2,0	DN65+DN65+1 1/2"	DN100	1550	1100	1280
36	60	AU2E 36/60	N 50-200/15	15,0	N 50-200/15	15,0	MULTI 35/6	2,0	DN65+DN65+1 1/2"	DN100	1550	1100	1280
36	65	AU2E 36/65	N 50-250/15	15,0	N 50-250/15	15,0	MULTI 35/6	2,0	DN65+DN65+1 1/2"	DN100	1550	1100	1280
36	70	AU2E 36/70	N 40-250/18,5	18,5	N 40-250/18,5	18,5	MULTI 35/8	3,0	DN50+DN50+1 1/2"	DN80	1550	1100	1300
36	75	AU2E 36/75	N 40-250/22	22,0	N 40-250/22	22,0	MULTI 35/8	3,0	DN50+DN50+1 1/2"	DN80	1600	1200	1300
36	80	AU2E 36/80	N 40-250/22	22,0	N 40-250/22	22,0	MULTI 35/8	3,0	DN50+DN50+1 1/2"	DN80	1600	1200	1300
36	85	AU2E 36/85	N 40-250/30	30,0	N 40-250/30	30,0	MULTI 35/8	3,0	DN50+DN50+1 1/2"	DN80	1600	1250	1300
36	90	AU2E 36/90	N 40-250/30	30,0	N 40-250/30	30,0	MULTI 35/10	4,0	DN50+DN50+1 1/2"	DN80	1600	1250	1300



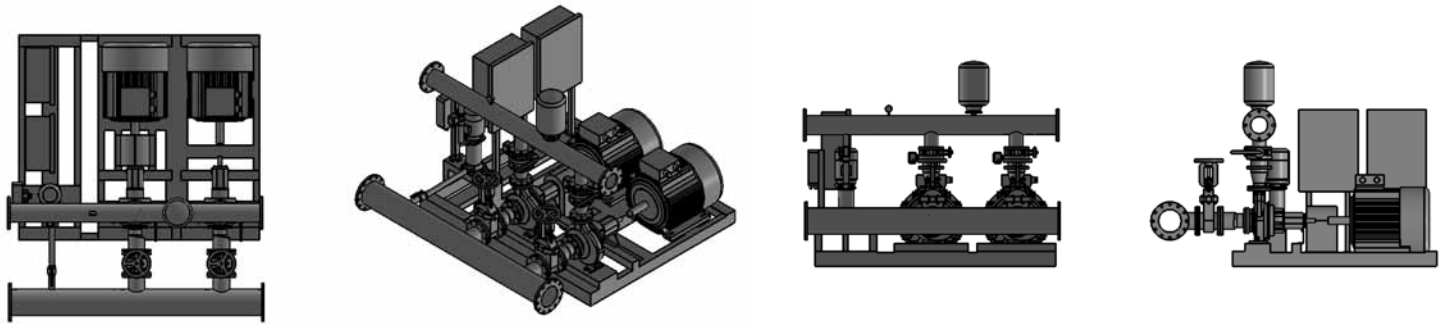
AU2E - (2 ELECTRICAL FIRE PUMPS + JOCKEY PUMP SYSTEM)

Q m³/h	H mWC	System Type	Electrical Pump Type	kW	Electrical Pump Type	kW	Jockey Pump Type	kW	Suction Manifold	Discharge Manifold	Dimensions (mm)		
											A (width)	B (length)	C (height)
45	55	AU2E 45/55	N 50-200/15	15,0	N 50-200/15	15,0	MULTI 35/6	2,0	DN65+DN65+1 1/2"	DN100	1550	1100	1280
45	60	AU2E 45/60	N 50-200/15	15,0	N 50-200/15	15,0	MULTI 35/6	2,0	DN65+DN65+1 1/2"	DN100	1550	1100	1280
45	65	AU2E 45/65	N 50-250/18,5	18,5	N 50-250/18,5	18,5	MULTI 35/6	2,0	DN65+DN65+1 1/2"	DN100	1600	1100	1280
45	70	AU2E 45/70	N 50-250/18,5	18,5	N 50-250/18,5	18,5	MULTI 35/8	3,0	DN65+DN65+1 1/2"	DN100	1600	1100	1280
45	75	AU2E 45/75	N 50-250/22	22,0	N 50-250/22	22,0	MULTI 35/8	3,0	DN65+DN65+1 1/2"	DN100	1600	1200	1310
45	80	AU2E 45/80	N 50-250/22	22,0	N 50-250/22	22,0	MULTI 35/8	3,0	DN65+DN65+1 1/2"	DN100	1600	1200	1310
45	85	AU2E 45/85	N 50-250/30	30,0	N 50-250/30	30,0	MULTI 35/8	3,0	DN65+DN65+1 1/2"	DN100	1600	1200	1310
45	90	AU2E 45/90	N 50-250/30	30,0	N 50-250/30	30,0	MULTI 35/10	4,0	DN65+DN65+1 1/2"	DN100	1600	1200	1310
45	95	AU2E 45/95	N 50-250/30	30,0	N 50-250/30	30,0	MULTI 35/10	4,0	DN65+DN65+1 1/2"	DN100	1600	1200	1310

50	55	AU2E 50/55	N 50-200/15	15,0	N 50-200/15	15,0	MULTI 35/6	2,0	DN65+DN65+1 1/2"	DN100	1550	1100	1280
50	60	AU2E 50/60	N 50-200/18,5	18,5	N 50-200/18,5	18,5	MULTI 35/6	2,0	DN65+DN65+1 1/2"	DN100	1550	1100	1280
50	65	AU2E 50/65	N 50-250/18,5	18,5	N 50-250/18,5	18,5	MULTI 35/6	2,0	DN65+DN65+1 1/2"	DN100	1600	1100	1280
50	70	AU2E 50/70	N 50-250/18,5	18,5	N 50-250/18,5	18,5	MULTI 35/8	3,0	DN65+DN65+1 1/2"	DN100	1600	1100	1280
50	75	AU2E 50/75	N 50-250/22	22,0	N 50-250/22	22,0	MULTI 35/8	3,0	DN65+DN65+1 1/2"	DN100	1600	1200	1310
50	80	AU2E 50/80	N 50-250/22	22,0	N 50-250/22	22,0	MULTI 35/8	3,0	DN65+DN65+1 1/2"	DN100	1600	1200	1310
50	85	AU2E 50/85	N 50-250/30	30,0	N 50-250/30	30,0	MULTI 35/8	3,0	DN65+DN65+1 1/2"	DN100	1600	1200	1310
50	90	AU2E 50/90	N 50-250/30	30,0	N 50-250/30	30,0	MULTI 35/10	4,0	DN65+DN65+1 1/2"	DN100	1600	1200	1310
50	95	AU2E 50/95	N 50-250/30	30,0	N 50-250/30	30,0	MULTI 35/10	4,0	DN65+DN65+1 1/2"	DN100	1600	1200	1310

60	45	AU2E 60/45	N 65-200/15	15,0	N 65-200/15	15,0	MULTI 35/6	2,0	DN80+DN80+1 1/2"	DN125	1550	1100	1330
60	50	AU2E 60/50	N 65-200/18,5	18,5	N 65-200/18,5	18,5	MULTI 35/6	2,0	DN80+DN80+1 1/2"	DN125	1550	1100	1330
60	55	AU2E 60/55	N 65-200/18,5	18,5	N 65-200/18,5	18,5	MULTI 35/6	2,0	DN80+DN80+1 1/2"	DN125	1550	1100	1330
60	60	AU2E 60/60	N 65-250/18,5	18,5	N 65-250/18,5	18,5	MULTI 35/6	2,0	DN80+DN80+1 1/2"	DN125	1550	1100	1330
60	65	AU2E 60/65	N 65-250/22	22,0	N 65-250/22	22,0	MULTI 35/6	2,0	DN80+DN80+1 1/2"	DN125	1600	1200	1400
60	70	AU2E 60/70	N 65-250/30	30,0	N 65-250/30	30,0	MULTI 35/8	3,0	DN80+DN80+1 1/2"	DN125	1600	1200	1400
60	75	AU2E 60/75	N 65-250/30	30,0	N 65-250/30	30,0	MULTI 35/8	3,0	DN80+DN80+1 1/2"	DN125	1600	1200	1400
60	80	AU2E 60/80	N 65-250/30	30,0	N 65-250/30	30,0	MULTI 35/8	3,0	DN80+DN80+1 1/2"	DN125	1600	1200	1400
60	85	AU2E 60/85	N 65-250/30	30,0	N 65-250/30	30,0	MULTI 35/8	3,0	DN80+DN80+1 1/2"	DN125	1600	1200	1400
60	90	AU2E 60/90	N 65-250/30	30,0	N 65-250/30	30,0	MULTI 35/10	4,0	DN80+DN80+1 1/2"	DN125	1600	1200	1400
60	95	AU2E 60/95	N 65-250/37	37,0	N 65-250/37	37,0	MULTI 35/10	4,0	DN80+DN80+1 1/2"	DN125	1600	1200	1400
60	100	AU2E 60/100	N 65-315/37	37,0	N 65-315/37	37,0	MULTI 35/10	4,0	DN80+DN80+1 1/2"	DN125	1600	1400	1480
60	105	AU2E 60/105	N 65-315/37	37,0	N 65-315/37	37,0	MULTI 35/10	4,0	DN80+DN80+1 1/2"	DN125	1600	1400	1480
60	110	AU2E 60/110	N 65-315/45	45,0	N 65-315/45	45,0	MULTI 35/10	4,0	DN80+DN80+1 1/2"	DN125	1650	1500	1480
60	115	AU2E 60/115	N 65-315/45	45,0	N 65-315/45	45,0	MULTI 35/10	4,0	DN80+DN80+1 1/2"	DN125	1650	1500	1480
60	120	AU2E 60/120	N 65-315/45	45,0	N 65-315/45	45,0	MULTI 35/10	4,0	DN80+DN80+1 1/2"	DN125	1650	1500	1480

72	45	AU2E 72/45	N 65-200/18,5	18,5	N 65-200/18,5	18,5	MULTI 35/6	2,0	DN80+DN80+1 1/2"	DN125	1550	1100	1330
72	50	AU2E 72/50	N 65-200/18,5	18,5	N 65-200/18,5	18,5	MULTI 35/6	2,0	DN80+DN80+1 1/2"	DN125	1550	1100	1330
72	55	AU2E 72/55	N 65-200/22	22,0	N 65-200/22	22,0	MULTI 35/6	2,0	DN80+DN80+1 1/2"	DN125	1600	1200	1400
72	60	AU2E 72/60	N 65-200/22	22,0	N 65-200/22	22,0	MULTI 35/6	2,0	DN80+DN80+1 1/2"	DN125	1600	1200	1400
72	65	AU2E 72/65	N 65-200/30	30,0	N 65-200/30	30,0	MULTI 35/6	2,0	DN80+DN80+1 1/2"	DN125	1600	1200	1400

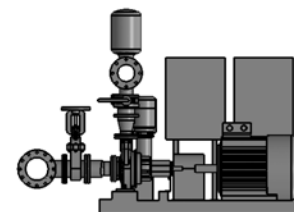
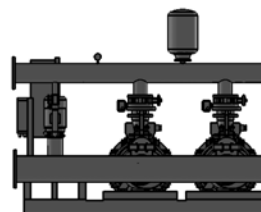
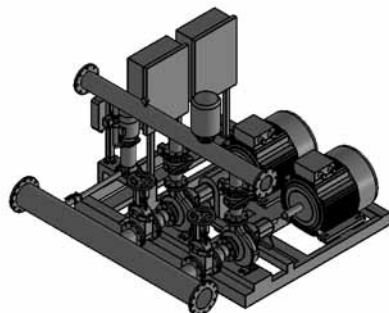
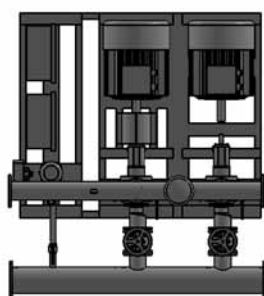


AU2E - (2 ELECTRICAL FIRE PUMPS + JOCKEY PUMP SYSTEM)

Q m³/h	H mWC	System Type	Electrical Pump Type	kW	Electrical Pump Type	kW	Jockey Pump Type	kW	Suction Manifold	Discharge Manifold	Dimensions (mm)		
											A (width)	B (length)	C (height)
72	80	AU2E 72/80	N 65-250/30	30,0	N 65-250/30	30,0	MULTI 35/8	3,0	DN80+DN80+1 1/2"	DN125	1600	1200	1400
72	85	AU2E 72/85	N 65-250/37	37,0	N 65-250/37	37,0	MULTI 35/8	3,0	DN80+DN80+1 1/2"	DN125	1600	1200	1400
72	90	AU2E 72/90	N 65-250/37	37,0	N 65-250/37	37,0	MULTI 35/10	4,0	DN80+DN80+1 1/2"	DN125	1600	1200	1400
72	95	AU2E 72/95	N 65-250/37	37,0	N 65-250/37	37,0	MULTI 35/10	4,0	DN80+DN80+1 1/2"	DN125	1600	1200	1400
72	100	AU2E 72/100	N 65-315/45	45,0	N 65-315/45	45,0	MULTI 35/10	4,0	DN80+DN80+1 1/2"	DN125	1650	1500	1400
72	105	AU2E 72/105	N 65-315/45	45,0	N 65-315/45	45,0	MULTI 35/10	4,0	DN80+DN80+1 1/2"	DN125	1650	1500	1400
72	110	AU2E 72/110	N 65-315/45	45,0	N 65-315/45	45,0	MULTI 35/10	4,0	DN80+DN80+1 1/2"	DN125	1650	1500	1400
72	115	AU2E 72/115	N 65-315/45	45,0	N 65-315/45	45,0	MULTI 35/10	4,0	DN80+DN80+1 1/2"	DN125	1650	1500	1400
72	120	AU2E 72/120	N 65-315/55	55,0	N 65-315/55	55,0	MULTI 35/10	4,0	DN80+DN80+1 1/2"	DN125	2100	1500	1400

84	45	AU2E 84/45	N 65-200/18,5	18,5	N 65-200/18,5	18,5	MULTI 35/6	2,0	DN80+DN80+1 1/2"	DN125	1550	1100	1330
84	50	AU2E 84/50	N 65-200/22	22,0	N 65-200/22	22,0	MULTI 35/6	2,0	DN80+DN80+1 1/2"	DN125	1600	1200	1400
84	55	AU2E 84/55	N 65-200/22	22,0	N 65-200/22	22,0	MULTI 35/6	2,0	DN80+DN80+1 1/2"	DN125	1600	1200	1400
84	60	AU2E 84/60	N 65-200/30	30,0	N 65-200/30	30,0	MULTI 35/6	2,0	DN80+DN80+1 1/2"	DN125	1600	1200	1400
84	65	AU2E 84/65	N 65-250/30	30,0	N 65-250/30	30,0	MULTI 35/6	2,0	DN80+DN80+1 1/2"	DN125	1600	1200	1400
84	70	AU2E 84/70	N 65-250/30	30,0	N 65-250/30	30,0	MULTI 35/8	3,0	DN80+DN80+1 1/2"	DN125	1600	1200	1400
84	75	AU2E 84/75	N 65-250/37	37,0	N 65-250/37	37,0	MULTI 35/8	3,0	DN80+DN80+1 1/2"	DN125	1600	1200	1400
84	80	AU2E 84/80	N 65-250/37	37,0	N 65-250/37	37,0	MULTI 35/8	3,0	DN80+DN80+1 1/2"	DN125	1600	1200	1400
84	85	AU2E 84/85	N 65-250/37	37,0	N 65-250/37	37,0	MULTI 35/8	3,0	DN80+DN80+1 1/2"	DN125	1600	1200	1400
84	90	AU2E 84/90	N 65-250/45	45,0	N 65-250/45	45,0	MULTI 35/10	4,0	DN80+DN80+1 1/2"	DN125	1650	1500	1400
84	95	AU2E 84/95	N 65-250/45	45,0	N 65-250/45	45,0	MULTI 35/10	4,0	DN80+DN80+1 1/2"	DN125	1650	1500	1400
84	100	AU2E 84/100	N 65-315/45	45,0	N 65-315/45	45,0	MULTI 35/10	4,0	DN80+DN80+1 1/2"	DN125	1650	1500	1400
84	105	AU2E 84/105	N 65-315/55	55,0	N 65-315/55	55,0	MULTI 35/10	4,0	DN80+DN80+1 1/2"	DN125	2100	1600	1530
84	110	AU2E 84/110	N 65-315/55	55,0	N 65-315/55	55,0	MULTI 35/10	4,0	DN80+DN80+1 1/2"	DN125	2100	1600	1530
84	115	AU2E 84/115	N 65-315/55	55,0	N 65-315/55	55,0	MULTI 35/10	4,0	DN80+DN80+1 1/2"	DN125	2100	1600	1530
84	120	AU2E 84/120	N 65-315/55	55,0	N 65-315/55	55,0	MULTI 35/10	4,0	DN80+DN80+1 1/2"	DN125	2100	1600	1530

96	55	AU2E 96/55	N 65-200/30	30,0	N 65-200/30	30,0	MULTI 35/6	2,0	DN80+DN80+1 1/2"	DN125	1600	1200	1400
96	60	AU2E 96/60	N 65-200/30	30,0	N 65-200/30	30,0	MULTI 35/6	2,0	DN80+DN80+1 1/2"	DN125	1600	1200	1400
96	65	AU2E 96/65	N 65-250/30	30,0	N 65-250/30	30,0	MULTI 35/6	2,0	DN80+DN80+1 1/2"	DN125	1600	1200	1400
96	70	AU2E 96/70	N 65-250/37	37,0	N 65-250/37	37,0	MULTI 35/8	3,0	DN80+DN80+1 1/2"	DN125	1600	1200	1400
96	75	AU2E 96/75	N 65-250/37	37,0	N 65-250/37	37,0	MULTI 35/8	3,0	DN80+DN80+1 1/2"	DN125	1600	1200	1400
96	80	AU2E 96/80	N 65-250/45	45,0	N 65-250/45	45,0	MULTI 35/8	3,0	DN80+DN80+1 1/2"	DN125	1650	1500	1400
96	85	AU2E 96/85	N 65-250/45	45,0	N 65-250/45	45,0	MULTI 35/8	3,0	DN80+DN80+1 1/2"	DN125	1650	1500	1400
96	90	AU2E 96/90	N 65-250/45	45,0	N 65-250/45	45,0	MULTI 35/10	4,0	DN80+DN80+1 1/2"	DN125	1650	1500	1400
96	95	AU2E 96/95	N 65-250/55	55,0	N 65-250/55	55,0	MULTI 35/10	4,0	DN80+DN80+1 1/2"	DN125	2100	1500	1450
96	100	AU2E 96/100	N 65-315/55	55,0	N 65-315/55	55,0	MULTI 35/10	4,0	DN80+DN80+1 1/2"	DN125	2100	1600	1530
96	105	AU2E 96/105	N 65-315/55	55,0	N 65-315/55	55,0	MULTI 35/10	4,0	DN80+DN80+1 1/2"	DN125	2100	1600	1530
96	110	AU2E 96/110	N 65-315/75	75,0	N 65-315/75	75,0	MULTI 35/10	4,0	DN80+DN80+1 1/2"	DN125	2250	1700	1530
96	115	AU2E 96/115	N 65-315/75	75,0	N 65-315/75	75,0	MULTI 35/10	4,0	DN80+DN80+1 1/2"	DN125	2250	1700	1530
96	120	AU2E 96/120	N 65-315/75	75,0	N 65-315/75	75,0	MULTI 35/10	4,0	DN80+DN80+1 1/2"	DN125	2250	1700	1530

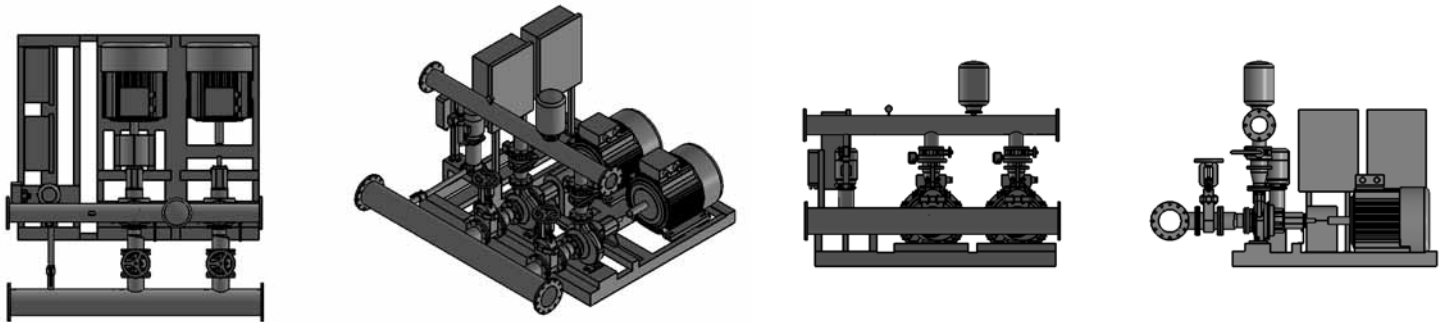


AU2E - (2 ELECTRICAL FIRE PUMPS + JOCKEY PUMP SYSTEM)

Q m ³ /h	H mWC	System Type	Electrical Pump		Jockey Pump		Suction Manifold	Discharge Manifold	Dimensions (mm)				
			Type	kW	Type	kW			A (width)	B (length)	C (height)		
108	55	AU2E 108/55	N 65-200/30	30,0	N 65-200/30	30,0	MULTI 35/6	2,0	DN80+DN80+1 1/2"	DN125	1600	1200	1400
108	60	AU2E 108/60	N 65-200/30	30,0	N 65-200/30	30,0	MULTI 35/6	2,0	DN80+DN80+1 1/2"	DN125	1600	1200	1400
108	65	AU2E 108/65	N 65-250/37	37,0	N 65-250/37	37,0	MULTI 35/6	2,0	DN80+DN80+1 1/2"	DN125	1600	1200	1400
108	70	AU2E 108/70	N 65-250/37	37,0	N 65-250/37	37,0	MULTI 35/8	3,0	DN80+DN80+1 1/2"	DN125	1600	1200	1400
108	75	AU2E 108/75	N 65-250/37	37,0	N 65-250/37	37,0	MULTI 35/8	3,0	DN80+DN80+1 1/2"	DN125	1600	1200	1400
108	80	AU2E 108/80	N 65-200/45	45,0	N 65-200/45	45,0	MULTI 35/8	3,0	DN80+DN80+1 1/2"	DN125	1650	1500	1400
108	85	AU2E 108/85	N 65-200/45	45,0	N 65-200/45	45,0	MULTI 35/8	3,0	DN80+DN80+1 1/2"	DN125	1650	1500	1400
108	90	AU2E 108/90	N 65-250/55	55,0	N 65-250/55	55,0	MULTI 35/10	4,0	DN80+DN80+1 1/2"	DN125	2100	1500	1450
108	95	AU2E 108/95	N 65-250/55	55,0	N 65-250/55	55,0	MULTI 35/10	4,0	DN80+DN80+1 1/2"	DN125	2100	1500	1450
108	100	AU2E 108/100	N 65-315/55	55,0	N 65-315/55	55,0	MULTI 35/10	4,0	DN80+DN80+1 1/2"	DN125	2250	1700	1530
108	105	AU2E 108/105	N 65-315/75	75,0	N 65-315/75	75,0	MULTI 35/10	4,0	DN80+DN80+1 1/2"	DN125	2250	1700	1530
108	110	AU2E 108/110	N 65-315/75	75,0	N 65-315/75	75,0	MULTI 35/10	4,0	DN80+DN80+1 1/2"	DN125	2250	1700	1530
108	115	AU2E 108/115	N 65-315/75	75,0	N 65-315/75	75,0	MULTI 35/10	4,0	DN80+DN80+1 1/2"	DN125	2250	1700	1530
108	120	AU2E 108/120	N 65-315/75	75,0	N 65-315/75	75,0	MULTI 35/10	4,0	DN80+DN80+1 1/2"	DN125	2250	1700	1530

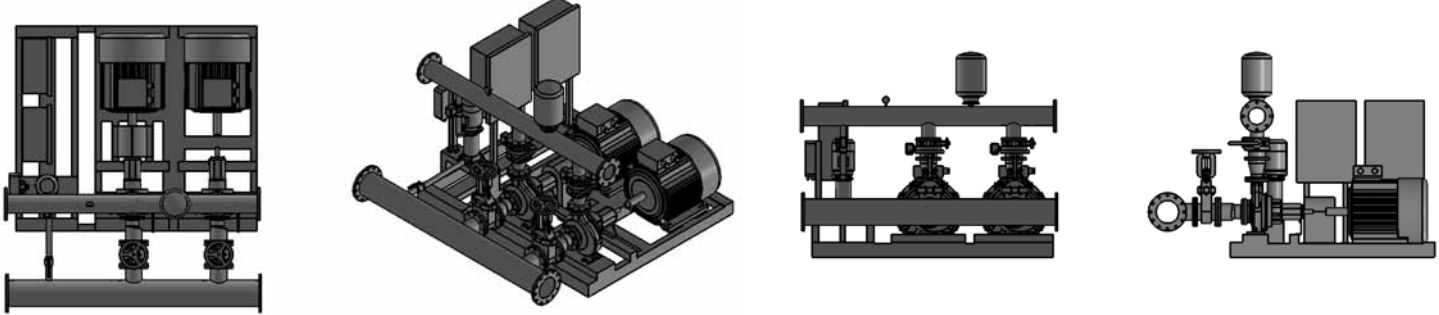
120	45	AU2E 120/45	N 80-200/30	30,0	N 80-200/30	30,0	MULTI 35/6	2,0	DN100+DN100+1 1/2"	DN150	1600	1400	1480
120	50	AU2E 120/50	N 80-200/30	30,0	N 80-200/30	30,0	MULTI 35/6	2,0	DN100+DN100+1 1/2"	DN150	1600	1400	1480
120	55	AU2E 120/55	N 80-200/37	37,0	N 80-200/37	37,0	MULTI 35/6	2,0	DN100+DN100+1 1/2"	DN150	1600	1400	1480
120	60	AU2E 120/60	N 80-200/37	37,0	N 80-200/37	37,0	MULTI 35/6	2,0	DN100+DN100+1 1/2"	DN150	1600	1400	1480
120	65	AU2E 120/65	N 80-250/37	37,0	N 80-250/37	37,0	MULTI 35/6	2,0	DN100+DN100+1 1/2"	DN150	1600	1400	1560
120	70	AU2E 120/70	N 80-250/45	45,0	N 80-250/45	45,0	MULTI 35/8	3,0	DN100+DN100+1 1/2"	DN150	1650	1500	1560
120	75	AU2E 120/75	N 80-250/45	45,0	N 80-250/45	45,0	MULTI 35/8	3,0	DN100+DN100+1 1/2"	DN150	1650	1500	1560
120	80	AU2E 120/80	N 80-250/45	45,0	N 80-250/45	45,0	MULTI 35/8	3,0	DN100+DN100+1 1/2"	DN150	1650	1500	1560
120	85	AU2E 120/85	N 80-250/55	55,0	N 80-250/55	55,0	MULTI 35/8	3,0	DN100+DN100+1 1/2"	DN150	2100	1600	1580
120	90	AU2E 120/90	N 80-250/55	55,0	N 80-250/55	55,0	MULTI 35/10	4,0	DN100+DN100+1 1/2"	DN150	2100	1600	1580
120	95	AU2E 120/95	N 80-250/75	75,0	N 80-250/75	75,0	MULTI 35/10	4,0	DN100+DN100+1 1/2"	DN150	2200	1650	1640
120	100	AU2E 120/100	N 80-250/75	75,0	N 80-250/75	75,0	MULTI 35/10	4,0	DN100+DN100+1 1/2"	DN150	2200	1650	1640
120	105	AU2E 120/105	N 80-250/75	75,0	N 80-250/75	75,0	MULTI 35/10	4,0	DN100+DN100+1 1/2"	DN150	2200	1650	1640
120	110	AU2E 120/110	N 65-315/75	75,0	N 65-315/75	75,0	MULTI 35/10	4,0	DN80+DN80+1 1/2"	DN125	2250	1700	1530
120	115	AU2E 120/115	N 65-315/75	75,0	N 65-315/75	75,0	MULTI 35/10	4,0	DN80+DN80+1 1/2"	DN125	2250	1700	1530
120	120	AU2E 120/120	N 65-315/75	75,0	N 65-315/75	75,0	MULTI 35/10	4,0	DN80+DN80+1 1/2"	DN125	2250	1700	1530

132	55	AU2E 132/55	N 80-200/37	37,0	N 80-200/37	37,0	MULTI 35/6	2,0	DN100+DN100+1 1/2"	DN150	1600	1400	1480
132	60	AU2E 132/60	N 80-200/45	45,0	N 80-200/45	45,0	MULTI 35/6	2,0	DN100+DN100+1 1/2"	DN150	1650	1400	1510
132	65	AU2E 132/65	N 80-250/45	45,0	N 80-250/45	45,0	MULTI 35/6	2,0	DN100+DN100+1 1/2"	DN150	1650	1500	1570
132	70	AU2E 132/70	N 80-250/45	45,0	N 80-250/45	45,0	MULTI 35/8	3,0	DN100+DN100+1 1/2"	DN150	1650	1500	1570
132	75	AU2E 132/75	N 80-250/55	55,0	N 80-250/55	55,0	MULTI 35/8	3,0	DN100+DN100+1 1/2"	DN150	2100	1600	1580
132	80	AU2E 132/80	N 80-250/55	55,0	N 80-250/55	55,0	MULTI 35/8	3,0	DN100+DN100+1 1/2"	DN150	2100	1600	1580
132	85	AU2E 132/85	N 80-250/55	55,0	N 80-250/55	55,0	MULTI 35/8	3,0	DN100+DN100+1 1/2"	DN150	2100	1600	1580
132	90	AU2E 132/90	N 80-250/75	75,0	N 80-250/75	75,0	MULTI 35/10	4,0	DN100+DN100+1 1/2"	DN150	2200	1650	1620
132	95	AU2E 132/95	N 80-250/75	75,0	N 80-250/75	75,0	MULTI 35/10	4,0	DN100+DN100+1 1/2"	DN150	2200	1650	1620
132	100	AU2E 132/100	N 80-250/75	75,0	N 80-250/75	75,0	MULTI 35/10	4,0	DN100+DN100+1 1/2"	DN150	2200	1650	1620
132	105	AU2E 132/105	N 65-315/75	75,0	N 65-315/75	75,0	MULTI 35/10	4,0	DN80+DN80+1 1/2"	DN125	2250	1700	1530
132	110	AU2E 132/110	N 65-315/75	75,0	N 65-315/75	75,0	MULTI 35/10	4,0	DN80+DN80+1 1/2"	DN125	2250	1700	1530
132	115	AU2E 132/115	N 65-315/75	75,0	N 65-315/75	75,0	MULTI 35/10	4,0	DN80+DN80+1 1/2"	DN125	2250	1700	1530
132	120	AU2E 132/120	N 65-315/75	75,0	N 65-315/75	75,0	MULTI 35/10	4,0	DN80+DN80+1 1/2"	DN125	2250	1700	1530



AU2E - (2 ELECTRICAL FIRE PUMPS + JOCKEY PUMP SYSTEM)

Q m³/h	H mWC	System Type	Electrical Pump		Jockey Pump		Suction Manifold	Discharge Manifold	Dimensions (mm)				
			Type	kW	Type	kW			A (width)	B (length)	C (height)		
140	55	AU2E 140/55	N 100-200/37	37,0	N 100-200/37	37,0	MULTI 35/6	2,0	DN125+DN125+1 1/2"	DN200	1600	1400	1600
140	60	AU2E 140/60	N 100-250/45	45,0	N 100-250/45	45,0	MULTI 35/6	2,0	DN125+DN125+1 1/2"	DN200	1650	1500	1660
140	65	AU2E 140/65	N 100-250/45	45,0	N 100-250/45	45,0	MULTI 35/6	2,0	DN125+DN125+1 1/2"	DN200	1650	1500	1660
140	70	AU2E 140/70	N 80-250/55	55,0	N 80-250/55	55,0	MULTI 35/8	3,0	DN100+DN100+1 1/2"	DN150	2100	1600	1580
140	75	AU2E 140/75	N 80-250/55	55,0	N 80-250/55	55,0	MULTI 35/8	3,0	DN100+DN100+1 1/2"	DN150	2100	1600	1580
140	80	AU2E 140/80	N 80-250/55	55,0	N 80-250/55	55,0	MULTI 35/8	3,0	DN100+DN100+1 1/2"	DN150	2100	1600	1580
140	85	AU2E 140/85	N 80-250/55	55,0	N 80-250/55	55,0	MULTI 35/8	3,0	DN100+DN100+1 1/2"	DN150	2100	1600	1580
140	90	AU2E 140/90	N 80-250/75	75,0	N 80-250/75	73,0	MULTI 35/10	4,0	DN100+DN100+1 1/2"	DN150	2200	1650	1640
140	95	AU2E 140/95	N 80-250/75	75,0	N 80-250/75	75,0	MULTI 35/10	4,0	DN100+DN100+1 1/2"	DN150	2200	1650	1640
140	100	AU2E 140/100	N 80-250/75	75,0	N 80-250/75	75,0	MULTI 35/10	4,0	DN100+DN100+1 1/2"	DN150	2200	1650	1640
140	105	AU2E 140/105	N 80-315/75	75,0	N 80-315/75	75,0	MULTI 35/10	4,0	DN100+DN100+1 1/2"	DN150	2250	1700	1690
140	110	AU2E 140/110	N 80-315/90	90,0	N 80-315/90	90,0	MULTI 35/10	4,0	DN100+DN100+1 1/2"	DN150	2250	1700	1690
140	115	AU2E 140/115	N 80-315/90	90,0	N 80-315/90	90,0	MULTI 35/10	4,0	DN100+DN100+1 1/2"	DN150	2250	1700	1690
140	120	AU2E 140/120	N 80-315/90	90,0	N 80-315/90	90,0	MULTI 35/10	4,0	DN100+DN100+1 1/2"	DN150	2250	1700	1690
150	45	AU2E 150/45	N 100-200/37	37,0	N 100-200/37	37,0	MULTI 35/6	2,0	DN125+DN125+1 1/2"	DN200	1600	1400	1600
150	50	AU2E 150/50	N 100-200/37	37,0	N 100-200/37	37,0	MULTI 35/6	2,0	DN125+DN125+1 1/2"	DN200	1600	1400	1600
150	55	AU2E 150/55	N 100-250/45	45,0	N 100-250/45	45,0	MULTI 35/6	2,0	DN125+DN125+1 1/2"	DN200	1650	1500	1660
150	60	AU2E 150/60	N 100-250/45	45,0	N 100-250/45	45,0	MULTI 35/6	2,0	DN125+DN125+1 1/2"	DN200	1650	1500	1660
150	65	AU2E 150/65	N 100-250/55	55,0	N 100-250/55	55,0	MULTI 35/6	2,0	DN125+DN125+1 1/2"	DN200	2100	1600	1660
150	70	AU2E 150/70	N 100-250/55	55,0	N 100-250/55	55,0	MULTI 35/8	3,0	DN125+DN125+1 1/2"	DN200	2100	1600	1660
150	75	AU2E 150/75	N 80-250/55	55,0	N 80-250/55	55,0	MULTI 35/8	3,0	DN100+DN100+1 1/2"	DN150	2100	1600	1660
150	80	AU2E 150/80	N 80-250/55	55,0	N 80-250/55	55,0	MULTI 35/8	3,0	DN100+DN100+1 1/2"	DN150	2100	1600	1660
150	85	AU2E 150/85	N 80-250/75	75,0	N 80-250/75	75,0	MULTI 35/8	3,0	DN100+DN100+1 1/2"	DN150	2200	1650	1620
150	90	AU2E 150/90	N 80-250/75	75,0	N 80-250/75	75,0	MULTI 35/10	4,0	DN100+DN100+1 1/2"	DN150	2200	1650	1620
150	95	AU2E 150/95	N 80-250/75	75,0	N 80-250/75	75,0	MULTI 35/10	4,0	DN100+DN100+1 1/2"	DN150	2200	1650	1620
150	100	AU2E 150/100	N 80-250/75	75,0	N 80-250/75	75,0	MULTI 35/10	4,0	DN100+DN100+1 1/2"	DN150	2200	1650	1620
150	105	AU2E 150/105	N 80-315/75	75,0	N 80-315/75	75,0	MULTI 35/10	4,0	DN100+DN100+1 1/2"	DN150	2200	1650	1620
150	110	AU2E 150/110	N 80-315/90	90,0	N 80-315/90	90,0	MULTI 35/10	4,0	DN100+DN100+1 1/2"	DN150	2250	1700	1690
150	115	AU2E 150/115	N 80-315/90	90,0	N 80-315/90	90,0	MULTI 35/10	4,0	DN100+DN100+1 1/2"	DN150	2250	1700	1690
150	120	AU2E 150/120	N 80-315/90	90,0	N 80-315/90	90,0	MULTI 35/10	4,0	DN100+DN100+1 1/2"	DN150	2250	1700	1690
160	55	AU2E 160/55	N 100-200/45	45,0	N 100-200/45	45,0	MULTI 35/6	2,0	DN125+DN125+1 1/2"	DN200	1650	1500	1650
160	60	AU2E 160/60	N 100-200/45	45,0	N 100-200/45	45,0	MULTI 35/6	2,0	DN125+DN125+1 1/2"	DN200	1650	1500	1650
160	65	AU2E 160/65	N 100-250/55	55,0	N 100-250/55	55,0	MULTI 35/6	2,0	DN125+DN125+1 1/2"	DN200	2100	1600	1680
160	70	AU2E 160/70	N 100-250/55	55,0	N 100-250/55	55,0	MULTI 35/8	3,0	DN125+DN125+1 1/2"	DN200	2100	1600	1680
160	75	AU2E 160/75	N 100-250/75	75,0	N 100-250/75	75,0	MULTI 35/8	3,0	DN125+DN125+1 1/2"	DN200	2200	1700	1700
160	80	AU2E 160/80	N 100-250/75	75,0	N 100-250/75	75,0	MULTI 35/8	3,0	DN125+DN125+1 1/2"	DN200	2200	1700	1700
160	85	AU2E 160/85	N 80-250/75	75,0	N 80-250/75	75,0	MULTI 35/8	3,0	DN100+DN100+1 1/2"	DN150	2200	1650	1620
160	90	AU2E 160/90	N 80-250/75	75,0	N 80-250/75	75,0	MULTI 35/10	4,0	DN100+DN100+1 1/2"	DN150	2200	1650	1620
160	95	AU2E 160/95	N 80-250/75	75,0	N 80-250/75	75,0	MULTI 35/10	4,0	DN100+DN100+1 1/2"	DN150	2200	1650	1620
160	100	AU2E 160/100	N 80-250/75	75,0	N 80-250/75	75,0	MULTI 35/10	4,0	DN100+DN100+1 1/2"	DN150	2200	1650	1620
160	105	AU2E 160/105	N 80-315/90	90,0	N 80-315/90	90,0	MULTI 35/10	4,0	DN100+DN100+1 1/2"	DN150	2200	1700	1690
160	110	AU2E 160/110	N 80-315/90	90,0	N 80-315/90	90,0	MULTI 35/10	4,0	DN100+DN100+1 1/2"	DN150	2200	1700	1690
160	115	AU2E 160/115	N 80-315/90	90,0	N 80-315/90	90,0	MULTI 35/10	4,0	DN100+DN100+1 1/2"	DN150	2200	1700	1690
160	120	AU2E 160/120	N 80-315/90	90,0	N 80-315/90	90,0	MULTI 35/10	4,0	DN100+DN100+1 1/2"	DN150	2200	1700	1690

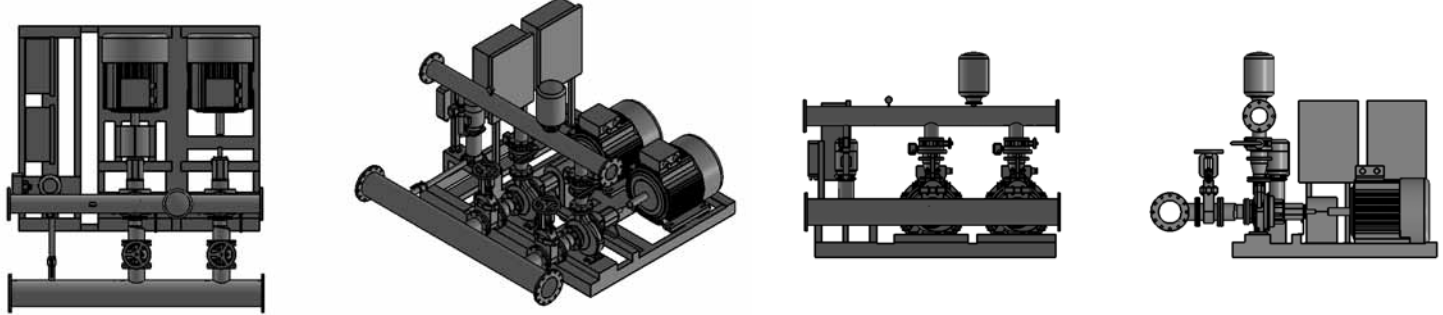


AU2E - (2 ELECTRICAL FIRE PUMPS + JOCKEY PUMP SYSTEM)

Q m³/h	H mWC	System Type	Electrical Pump Type	kW	Electrical Pump Type	kW	Jockey Pump Type	kW	Suction Manifold	Discharge Manifold	Dimensions (mm)		
											A (width)	B (length)	C (height)
170	55	AU2E 170/55	N 100-200/55	55,0	N 100-200/55	55,0	MULTI 35/6	2,0	DN125+DN125+1 1/2"	DN200	1900	1500	1680
170	60	AU2E 170/60	N 100-250/55	55,0	N 100-250/55	55,0	MULTI 35/6	2,0	DN125+DN125+1 1/2"	DN200	2100	1600	1680
170	65	AU2E 170/65	N 100-250/55	55,0	N 100-250/55	55,0	MULTI 35/6	2,0	DN125+DN125+1 1/2"	DN200	2100	1600	1680
170	70	AU2E 170/70	N 100-250/75	75,0	N 100-250/75	75,0	MULTI 35/8	3,0	DN125+DN125+1 1/2"	DN200	2200	1700	1700
170	75	AU2E 170/75	N 100-250/75	75,0	N 100-250/75	75,0	MULTI 35/8	3,0	DN125+DN125+1 1/2"	DN200	2200	1700	1700
170	80	AU2E 170/80	N 100-250/75	75,0	N 100-250/75	75,0	MULTI 35/8	3,0	DN125+DN125+1 1/2"	DN200	2200	1700	1700
170	85	AU2E 170/85	N 100-250/75	75,0	N 100-250/75	75,0	MULTI 35/8	3,0	DN125+DN125+1 1/2"	DN200	2200	1700	1700
170	90	AU2E 170/90	N 80-250/75	75,0	N 80-250/75	75,0	MULTI 35/10	4,0	DN100+DN100+1 1/2"	DN150	2200	1650	1620
170	95	AU2E 170/95	N 80-250/75	75,0	N 80-250/75	75,0	MULTI 35/10	4,0	DN100+DN100+1 1/2"	DN150	2200	1650	1620
170	100	AU2E 170/100	N 80-250/90	90,0	N 80-250/90	90,0	MULTI 35/10	4,0	DN100+DN100+1 1/2"	DN150	2200	1650	1620
170	105	AU2E 170/105	N 80-315/90	90,0	N 80-315/90	90,0	MULTI 35/10	4,0	DN100+DN100+1 1/2"	DN150	2200	1700	1690
170	110	AU2E 170/110	N 80-315/90	90,0	N 80-315/90	90,0	MULTI 35/10	4,0	DN100+DN100+1 1/2"	DN150	2200	1700	1690
170	115	AU2E 170/115	N 80-315/90	90,0	N 80-315/90	90,0	MULTI 35/10	4,0	DN100+DN100+1 1/2"	DN150	2200	1700	1690
170	120	AU2E 170/120	N 80-315/110	110,0	N 80-315/110	110,0	MULTI 35/10	4,0	DN100+DN100+1 1/2"	DN150	2600	1900	1750

180	45	AU2E 180/45	N 100-200/45	45,0	N 100-200/45	45,0	MULTI 35/6	2,0	DN125+DN125+1 1/2"	DN200	1600	1500	1650
180	50	AU2E 180/50	N 100-200/45	45,0	N 100-200/45	45,0	MULTI 35/6	2,0	DN125+DN125+1 1/2"	DN200	1650	1500	1650
180	55	AU2E 180/55	N 100-250/55	55,0	N 100-250/55	55,0	MULTI 35/6	2,0	DN125+DN125+1 1/2"	DN200	2100	1600	1680
180	60	AU2E 180/60	N 100-250/55	55,0	N 100-250/55	55,0	MULTI 35/6	2,0	DN125+DN125+1 1/2"	DN150	2100	1600	1680
180	65	AU2E 180/65	N 100-250/55	55,0	N 100-250/55	55,0	MULTI 35/6	2,0	DN125+DN125+1 1/2"	DN200	2100	1600	1680
180	70	AU2E 180/70	N 100-250/75	75,0	N 100-250/75	75,0	MULTI 35/8	3,0	DN125+DN125+1 1/2"	DN200	2200	1700	1700
180	75	AU2E 180/75	N 100-250/75	75,0	N 100-250/75	75,0	MULTI 35/8	3,0	DN125+DN125+1 1/2"	DN200	2200	1700	1700
180	80	AU2E 180/80	N 100-250/75	75,0	N 100-250/75	75,0	MULTI 35/8	3,0	DN125+DN125+1 1/2"	DN200	2200	1700	1700
180	85	AU2E 180/85	N 100-250/75	75,0	N 100-250/75	75,0	MULTI 35/8	3,0	DN125+DN125+1 1/2"	DN200	2200	1700	1700
180	90	AU2E 180/90	N 100-250/90	90,0	N 100-250/90	90,0	MULTI 35/10	4,0	DN125+DN125+1 1/2"	DN200	2200	1700	1800
180	95	AU2E 180/95	N 100-250/90	90,0	N 100-250/90	90,0	MULTI 35/10	4,0	DN125+DN125+1 1/2"	DN200	2200	1700	1800
180	100	AU2E 180/100	N 80-315/90	90,0	N 80-315/90	90,0	MULTI 35/10	4,0	DN100+DN100+1 1/2"	DN150	2200	1700	1690
180	105	AU2E 180/105	N 80-315/90	90,0	N 80-315/90	90,0	MULTI 35/10	4,0	DN100+DN100+1 1/2"	DN150	2200	1700	1690
180	110	AU2E 180/110	N 80-315/90	90,0	N 80-315/90	90,0	MULTI 35/10	4,0	DN100+DN100+1 1/2"	DN150	2200	1700	1690
180	115	AU2E 180/115	N 80-315/110	110,0	N 80-315/110	110,0	MULTI 35/10	4,0	DN100+DN100+1 1/2"	DN150	2600	1900	1750
180	120	AU2E 180/120	N 80-315/110	110,0	N 80-315/110	110,0	MULTI 35/10	4,0	DN100+DN100+1 1/2"	DN150	2600	1900	1750

190	55	AU2E 190/55	N 100-200/55	55,0	N 100-200/55	55,0	MULTI 35/6	2,0	DN125+DN125+1 1/2"	DN200	2100	1600	1680
190	60	AU2E 190/60	N 100-200/55	55,0	N 100-200/55	55,0	MULTI 35/6	2,0	DN125+DN125+1 1/2"	DN200	2100	1600	1680
190	65	AU2E 190/65	N 100-250/55	55,0	N 100-250/55	55,0	MULTI 35/6	2,0	DN125+DN125+1 1/2"	DN200	2100	1600	1680
190	70	AU2E 190/70	N 100-250/75	75,0	N 100-250/75	75,0	MULTI 35/8	3,0	DN125+DN125+1 1/2"	DN200	2200	1700	1700
190	75	AU2E 190/75	N 100-250/75	75,0	N 100-250/75	75,0	MULTI 35/8	3,0	DN125+DN125+1 1/2"	DN200	2200	1700	1700
190	80	AU2E 190/80	N 100-250/75	75,0	N 100-250/75	75,0	MULTI 35/8	3,0	DN125+DN125+1 1/2"	DN200	2200	1700	1700
190	85	AU2E 190/85	N 100-250/90	90,0	N 100-250/90	90,0	MULTI 35/8	3,0	DN125+DN125+1 1/2"	DN200	2200	1700	1800
190	90	AU2E 190/90	N 100-250/90	90,0	N 100-250/90	90,0	MULTI 35/10	4,0	DN125+DN125+1 1/2"	DN200	2200	1700	1800
190	95	AU2E 190/95	N 100-250/110	110,0	N 100-250/110	110,0	MULTI 35/10	4,0	DN125+DN125+1 1/2"	DN200	2600	1900	1770
190	100	AU2E 190/100	N 80-315/90	90,0	N 80-315/90	90,0	MULTI 35/10	4,0	DN100+DN100+1 1/2"	DN150	2200	1700	1690
190	105	AU2E 190/105	N 80-315/90	90,0	N 80-315/90	90,0	MULTI 35/10	4,0	DN100+DN100+1 1/2"	DN150	2200	1700	1690
190	110	AU2E 190/110	N 80-315/110	110,0	N 80-315/110	110,0	MULTI 35/10	4,0	DN100+DN100+1 1/2"	DN150	2600	1900	1750
190	115	AU2E 190/115	N 80-315/110	110,0	N 80-315/110	110,0	MULTI 35/10	4,0	DN100+DN100+1 1/2"	DN150	2600	1900	1750
190	120	AU2E 190/120	N 80-315/110	110,0	N 80-315/110	110,0	MULTI 35/10	4,0	DN100+DN100+1 1/2"	DN150	2600	1900	1750

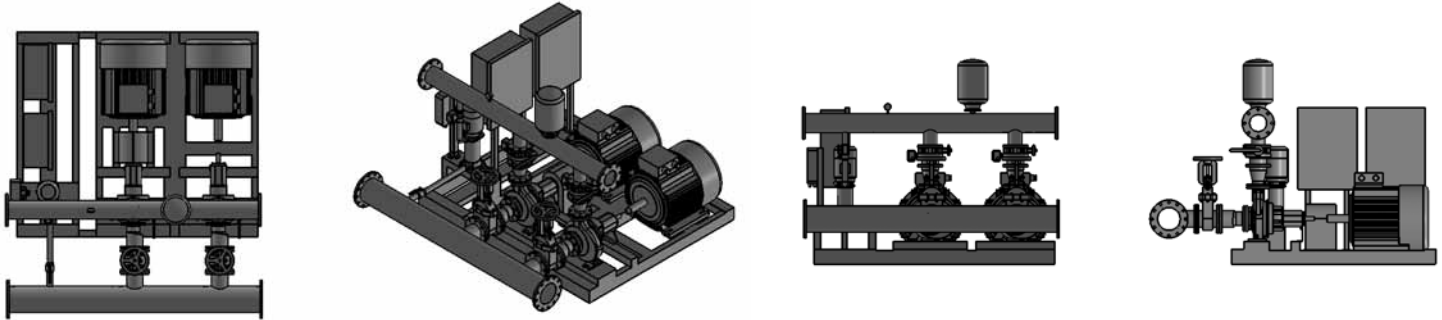


AU2E - (2 ELECTRICAL FIRE PUMPS + JOCKEY PUMP SYSTEM)

Q m³/h	H mWC	System Type	Electrical Pump Type	kW	Electrical Pump Type	kW	Jockey Pump Type	kW	Suction Manifold	Discharge Manifold	Dimensions (mm)		
											A (width)	B (length)	C (height)
200	55	AU2E 200/55	N 100-200/55	55,0	N 100-200/55	55,0	MULTI 35/6	2,0	DN125+DN125+1 1/2"	DN200	2100	1600	1680
200	60	AU2E 200/60	N 100-200/55	55,0	N 100-200/55	55,0	MULTI 35/6	2,0	DN125+DN125+1 1/2"	DN200	2100	1600	1680
200	65	AU2E 200/65	N 100-250/75	75,0	N 100-250/75	75,0	MULTI 35/6	2,0	DN125+DN125+1 1/2"	DN200	2200	1700	1700
200	70	AU2E 200/70	N 100-250/75	75,0	N 100-250/75	75,0	MULTI 35/8	3,0	DN125+DN125+1 1/2"	DN200	2200	1700	1700
200	75	AU2E 200/75	N 100-250/75	75,0	N 100-250/75	75,0	MULTI 35/8	3,0	DN125+DN125+1 1/2"	DN200	2200	1700	1700
200	80	AU2E 200/80	N 100-250/90	90,0	N 100-250/90	90,0	MULTI 35/8	3,0	DN125+DN125+1 1/2"	DN200	2200	1700	1800
200	85	AU2E 200/85	N 100-250/90	90,0	N 100-250/90	90,0	MULTI 35/8	3,0	DN125+DN125+1 1/2"	DN200	2200	1700	1800
200	90	AU2E 200/90	N 100-250/90	90,0	N 100-250/90	90,0	MULTI 35/10	4,0	DN125+DN125+1 1/2"	DN200	2200	1700	1800
200	95	AU2E 200/95	N 100-250/110	110,0	N 100-250/110	110,0	MULTI 35/10	4,0	DN125+DN125+1 1/2"	DN200	2600	1900	1750
200	100	AU2E 200/100	N 100-250/110	110,0	N 100-250/110	110,0	MULTI 35/10	4,0	DN125+DN125+1 1/2"	DN200	2600	1900	1750
200	105	AU2E 200/105	N 80-315/110	110,0	N 80-315/110	110,0	MULTI 35/10	4,0	DN100+DN100+1 1/2"	DN150	2600	1900	1750
200	110	AU2E 200/110	N 80-315/110	110,0	N 80-315/110	110,0	MULTI 35/10	4,0	DN100+DN100+1 1/2"	DN150	2600	1900	1750
200	115	AU2E 200/115	N 80-315/110	110,0	N 80-315/110	110,0	MULTI 35/10	4,0	DN100+DN100+1 1/2"	DN150	2600	1900	1750
200	120	AU2E 200/120	N 80-315/110	110,0	N 80-315/110	110,0	MULTI 35/10	4,0	DN100+DN100+1 1/2"	DN150	2600	1900	1750

210	45	AU2E 210/45	N 100-200/45	45,0	N 100-200/45	45,0	MULTI 35/6	2,0	DN125+DN125+1 1/2"	DN200	1650	1500	1650
210	50	AU2E 210/50	N 100-200/55	55,0	N 100-200/55	55,0	MULTI 35/6	2,0	DN125+DN125+1 1/2"	DN200	2100	1600	1680
210	55	AU2E 210/55	N 100-200/55	55,0	N 100-200/55	55,0	MULTI 35/6	2,0	DN125+DN125+1 1/2"	DN200	2100	1600	1680
210	60	AU2E 210/60	N 100-250/75	75,0	N 100-250/75	75,0	MULTI 35/6	2,0	DN125+DN125+1 1/2"	DN200	2100	1600	1680
210	65	AU2E 210/65	N 100-250/75	75,0	N 100-250/75	75,0	MULTI 35/6	2,0	DN125+DN125+1 1/2"	DN200	2200	1700	1700
210	70	AU2E 210/70	N 100-250/75	75,0	N 100-250/75	75,0	MULTI 35/8	3,0	DN125+DN125+1 1/2"	DN200	2200	1700	1700
210	75	AU2E 210/75	N 100-250/75	75,0	N 100-250/75	75,0	MULTI 35/8	3,0	DN125+DN125+1 1/2"	DN200	2200	1700	1700
210	80	AU2E 210/80	N 100-250/90	90,0	N 100-250/90	90,0	MULTI 35/8	3,0	DN125+DN125+1 1/2"	DN200	2200	1700	1800
210	85	AU2E 210/85	N 100-250/90	90,0	N 100-250/90	90,0	MULTI 35/8	3,0	DN125+DN125+1 1/2"	DN200	2200	1700	1800
210	90	AU2E 210/90	N 100-250/90	90,0	N 100-250/90	90,0	MULTI 35/10	4,0	DN125+DN125+1 1/2"	DN200	2200	1700	1800
210	95	AU2E 210/95	N 100-250/110	110,0	N 100-250/110	110,0	MULTI 35/10	4,0	DN125+DN125+1 1/2"	DN200	2600	1900	1750
210	100	AU2E 210/100	N 100-250/110	110,0	N 100-250/110	110,0	MULTI 35/10	4,0	DN125+DN125+1 1/2"	DN200	2600	1900	1750
210	105	AU2E 210/105	N 100-315/110	110,0	N 100-315/110	110,0	MULTI 35/10	4,0	DN125+DN125+1 1/2"	DN200	2600	1900	1750
210	110	AU2E 210/110	N 100-315/110	110,0	N 100-315/110	110,0	MULTI 35/10	4,0	DN125+DN125+1 1/2"	DN200	2600	1900	1750
210	115	AU2E 210/115	N 100-315/110	110,0	N 100-315/110	110,0	MULTI 35/10	4,0	DN125+DN125+1 1/2"	DN200	2600	1900	1750
210	120	AU2E 210/120	N 100-315/132	132,0	N 100-315/132	132,0	MULTI 35/10	4,0	DN125+DN125+1 1/2"	DN200	2600	1900	1750

220	55	AU2E 220/55	N 100-200/55	55,0	N 100-200/55	55,0	MULTI 35/6	2,0	DN125+DN125+1 1/2"	DN200	2100	1600	1680
220	60	AU2E 220/60	N 100-250/75	75,0	N 100-250/75	75,0	MULTI 35/6	2,0	DN125+DN125+1 1/2"	DN200	2200	1700	1700
220	65	AU2E 220/65	N 100-250/75	75,0	N 100-250/75	75,0	MULTI 35/6	2,0	DN125+DN125+1 1/2"	DN200	2200	1700	1700
220	70	AU2E 220/70	N 100-250/75	75,0	N 100-250/75	75,0	MULTI 35/8	3,0	DN125+DN125+1 1/2"	DN200	2200	1700	1700
220	75	AU2E 220/75	N 100-250/75	75,0	N 100-250/75	75,0	MULTI 35/8	3,0	DN125+DN125+1 1/2"	DN200	2200	1700	1700
220	80	AU2E 220/80	N 100-250/90	90,0	N 100-250/90	90,0	MULTI 35/8	3,0	DN125+DN125+1 1/2"	DN200	2200	1700	1800
220	85	AU2E 220/85	N 100-250/90	90,0	N 100-250/90	90,0	MULTI 35/8	3,0	DN125+DN125+1 1/2"	DN200	2200	1700	1800
220	90	AU2E 220/90	N 100-250/110	110,0	N 100-250/110	110,0	MULTI 35/10	4,0	DN125+DN125+1 1/2"	DN200	2600	1900	1750
220	95	AU2E 220/95	N 100-250/110	110,0	N 100-250/110	110,0	MULTI 35/10	4,0	DN125+DN125+1 1/2"	DN200	2600	1900	1750
220	100	AU2E 220/100	N 100-250/110	110,0	N 100-250/110	110,0	MULTI 35/10	4,0	DN125+DN125+1 1/2"	DN200	2600	1900	1750
220	105	AU2E 220/105	N 100-315/110	110,0	N 100-315/110	110,0	MULTI 35/10	4,0	DN125+DN125+1 1/2"	DN200	2600	1900	1850
220	110	AU2E 220/110	N 100-315/110	110,0	N 100-315/110	110,0	MULTI 35/10	4,0	DN125+DN125+1 1/2"	DN200	2600	1900	1850
220	115	AU2E 220/115	N 100-315/132	132,0	N 100-315/132	132,0	MULTI 35/10	4,0	DN125+DN125+1 1/2"	DN200	2600	1900	1850
220	120	AU2E 220/120	N 100-315/132	132,0	N 100-315/132	132,0	MULTI 35/10	4,0	DN125+DN125+1 1/2"	DN200	2600	1900	1850

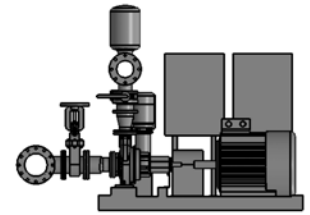
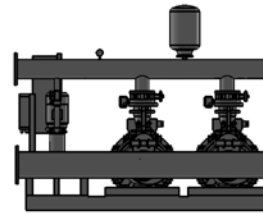
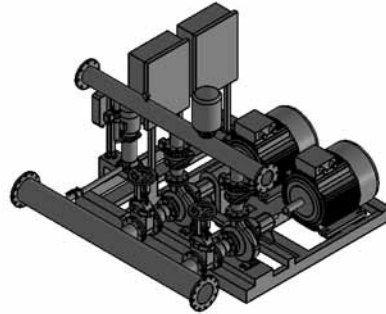
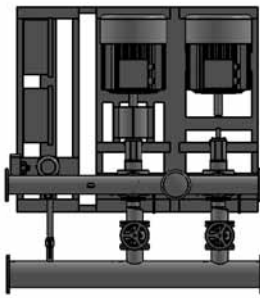


AU2E - (2 ELECTRICAL FIRE PUMPS + JOCKEY PUMP SYSTEM)

Q m³/h	H mWC	System Type	Electrical Pump		Jockey Pump		Suction Manifold	Discharge Manifold	Dimensions (mm)				
			Type	kW	Type	kW			A (width)	B (length)	C (height)		
230	55	AU2E 230/55	N 100-200/55	55,0	N 100-200/55	55,0	MULTI 35/6	2,0	DN125+DN125+1 1/2"	DN200	2100	1600	1680
230	60	AU2E 230/60	N 100-250/75	75,0	N 100-250/75	75,0	MULTI 35/6	2,0	DN125+DN125+1 1/2"	DN200	2200	1700	1700
230	65	AU2E 230/65	N 100-250/75	75,0	N 100-250/75	75,0	MULTI 35/6	2,0	DN125+DN125+1 1/2"	DN200	2200	1700	1700
230	70	AU2E 230/70	N 100-250/75	75,0	N 100-250/75	75,0	MULTI 35/8	3,0	DN125+DN125+1 1/2"	DN200	2200	1700	1700
230	75	AU2E 230/75	N 100-250/90	90,0	N 100-250/90	90,0	MULTI 35/8	3,0	DN125+DN125+1 1/2"	DN200	2200	1700	1800
230	80	AU2E 230/80	N 100-250/90	90,0	N 100-250/90	90,0	MULTI 35/8	3,0	DN125+DN125+1 1/2"	DN200	2200	1700	1800
230	85	AU2E 230/85	N 100-250/90	90,0	N 100-250/90	90,0	MULTI 35/8	3,0	DN125+DN125+1 1/2"	DN200	2200	1700	1800
230	90	AU2E 230/90	N 100-250/110	110,0	N 100-250/110	110,0	MULTI 35/10	4,0	DN125+DN125+1 1/2"	DN200	2600	1900	1750
230	95	AU2E 230/95	N 100-250/110	110,0	N 100-250/110	110,0	MULTI 35/10	4,0	DN125+DN125+1 1/2"	DN200	2600	1900	1750
230	100	AU2E 230/100	N 100-250/110	110,0	N 100-250/110	110,0	MULTI 35/10	4,0	DN125+DN125+1 1/2"	DN200	2600	1900	1750
230	105	AU2E 230/105	N 100-315/110	110,0	N 100-315/110	110,0	MULTI 35/10	4,0	DN125+DN125+1 1/2"	DN200	2600	1900	1850
230	110	AU2E 230/110	N 100-315/132	132,0	N 100-315/132	132,0	MULTI 35/10	4,0	DN125+DN125+1 1/2"	DN200	2600	1900	1850
230	115	AU2E 230/115	N 100-315/132	132,0	N 100-315/132	132,0	MULTI 35/10	4,0	DN125+DN125+1 1/2"	DN200	2600	1900	1850
230	120	AU2E 230/120	N 100-315/132	132,0	N 100-315/132	132,0	MULTI 35/10	4,0	DN125+DN125+1 1/2"	DN200	2600	1900	1850

240	45	AU2E 240/45	N 100-200/55	55,0	N 100-200/55	55,0	MULTI 35/6	2,0	DN125+DN125+1 1/2"	DN200	2100	1600	1680
240	50	AU2E 240/50	N 100-200/55	55,0	N 100-200/55	55,0	MULTI 35/6	2,0	DN125+DN125+1 1/2"	DN200	2100	1600	1680
240	55	AU2E 240/55	N 100-200/75	75,0	N 100-200/75	75,0	MULTI 35/6	2,0	DN125+DN125+1 1/2"	DN200	2200	1700	1700
240	60	AU2E 240/60	N 100-250/75	75,0	N 100-250/75	75,0	MULTI 35/6	2,0	DN125+DN125+1 1/2"	DN200	2200	1700	1700
240	65	AU2E 240/65	N 100-250/75	75,0	N 100-250/75	75,0	MULTI 35/6	2,0	DN125+DN125+1 1/2"	DN200	2200	1700	1700
240	70	AU2E 240/70	N 100-250/75	75,0	N 100-250/75	75,0	MULTI 35/8	3,0	DN125+DN125+1 1/2"	DN200	2200	1700	1700
240	75	AU2E 240/75	N 100-250/90	90,0	N 100-250/90	90,0	MULTI 35/8	3,0	DN125+DN125+1 1/2"	DN200	2200	1700	1800
240	80	AU2E 240/80	N 100-250/90	90,0	N 100-250/90	90,0	MULTI 35/8	3,0	DN125+DN125+1 1/2"	DN200	2200	1700	1800
240	85	AU2E 240/85	N 100-250/90	90,0	N 100-250/90	90,0	MULTI 35/8	3,0	DN125+DN125+1 1/2"	DN200	2200	1700	1800
240	90	AU2E 240/90	N 100-250/110	110,0	N 100-250/110	110,0	MULTI 35/10	4,0	DN125+DN125+1 1/2"	DN200	2600	1900	1750
240	95	AU2E 240/95	N 100-250/110	110,0	N 100-250/110	110,0	MULTI 35/10	4,0	DN125+DN125+1 1/2"	DN200	2600	1900	1750
240	100	AU2E 240/100	N 100-250/110	110,0	N 100-250/110	110,0	MULTI 35/10	4,0	DN125+DN125+1 1/2"	DN200	2600	1900	1750
240	105	AU2E 240/105	N 100-315/110	110,0	N 100-315/110	110,0	MULTI 35/10	4,0	DN125+DN125+1 1/2"	DN200	2600	1900	1850
240	110	AU2E 240/110	N 100-315/132	132,0	N 100-315/132	132,0	MULTI 35/10	4,0	DN125+DN125+1 1/2"	DN200	2600	1900	1850
240	115	AU2E 240/115	N 100-315/132	132,0	N 100-315/132	132,0	MULTI 35/10	4,0	DN125+DN125+1 1/2"	DN200	2600	1900	1850
240	120	AU2E 240/120	N 100-315/132	132,0	N 100-315/132	132,0	MULTI 35/10	4,0	DN125+DN125+1 1/2"	DN200	2600	1900	1850

250	55	AU2E 250/55	N 100-200/75	75,0	N 100-200/75	75,0	MULTI 35/6	2,0	DN125+DN125+1 1/2"	DN200	2200	1700	1700
250	60	AU2E 250/60	N 100-250/75	75,0	N 100-250/75	75,0	MULTI 35/6	2,0	DN125+DN125+1 1/2"	DN200	2200	1700	1700
250	65	AU2E 250/65	N 100-250/75	75,0	N 100-250/75	75,0	MULTI 35/6	2,0	DN125+DN125+1 1/2"	DN200	2200	1700	1700
250	70	AU2E 250/70	N 100-250/75	75,0	N 100-250/75	75,0	MULTI 35/8	3,0	DN125+DN125+1 1/2"	DN200	2200	1700	1700
250	75	AU2E 250/75	N 100-250/90	90,0	N 100-250/90	90,0	MULTI 35/8	3,0	DN125+DN125+1 1/2"	DN200	2200	1700	1800
250	80	AU2E 250/80	N 100-250/90	90,0	N 100-250/90	90,0	MULTI 35/8	3,0	DN125+DN125+1 1/2"	DN200	2200	1700	1800
250	85	AU2E 250/85	N 100-250/110	110,0	N 100-250/110	110,0	MULTI 35/8	3,0	DN125+DN125+1 1/2"	DN200	2600	1900	1750
250	90	AU2E 250/90	N 100-250/110	110,0	N 100-250/110	110,0	MULTI 35/10	4,0	DN125+DN125+1 1/2"	DN200	2600	1900	1750
250	95	AU2E 250/95	N 100-250/110	110,0	N 100-250/110	110,0	MULTI 35/10	4,0	DN125+DN125+1 1/2"	DN200	2600	1900	1750
250	100	AU2E 250/100	N 100-250/110	110,0	N 100-250/110	110,0	MULTI 35/10	4,0	DN125+DN125+1 1/2"	DN200	2600	1900	1750
250	105	AU2E 250/105	N 125-315/132	132,0	N 125-315/132	132,0	MULTI 35/10	4,0	DN150+DN150+1 1/2"	DN250	2600	2000	1980
250	110	AU2E 250/110	N 125-315/132	132,0	N 125-315/132	132,0	MULTI 35/10	4,0	DN150+DN150+1 1/2"	DN250	2600	2000	1980
250	115	AU2E 250/115	N 125-315/132	132,0	N 125-315/132	132,0	MULTI 35/10	4,0	DN150+DN150+1 1/2"	DN250	2600	2000	1980
250	120	AU2E 250/120	N 125-315/160	160,0	N 125-315/160	160,0	MULTI 35/10	4,0	DN150+DN150+1 1/2"	DN250	2600	2000	1980

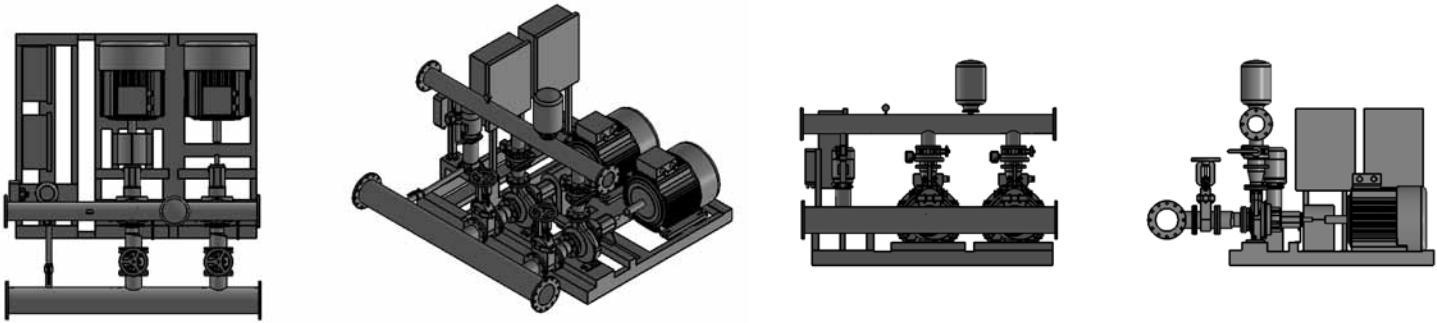


AU2E - (2 ELECTRICAL FIRE PUMPS + JOCKEY PUMP SYSTEM)

Q m³/h	H mWC	System Type	Electrical Pump Type	kW	Electrical Pump Type	kW	Jockey Pump Type	kW	Suction Manifold	Discharge Manifold	Dimensions (mm)		
											A (width)	B (length)	C (height)
260	55	AU2E 260/55	N 125-200/75	75,0	N 125-200/75	75,0	MULTI 35/6	2,0	DN150+DN150+1 1/2"	DN250	2200	1700	1900
260	60	AU2E 260/60	N 125-200/75	75,0	N 125-200/75	75,0	MULTI 35/6	2,0	DN150+DN150+1 1/2"	DN250	2200	1700	1900
260	65	AU2E 260/65	N 100-250/75	75,0	N 100-250/75	75,0	MULTI 35/6	2,0	DN125+DN125+1 1/2"	DN200	2200	1700	1700
260	70	AU2E 260/70	N 100-250/90	90,0	N 100-250/90	90,0	MULTI 35/8	3,0	DN125+DN125+1 1/2"	DN200	2200	1700	1700
260	75	AU2E 260/75	N 100-250/90	90,0	N 100-250/90	90,0	MULTI 35/8	3,0	DN125+DN125+1 1/2"	DN200	2200	1700	1700
260	80	AU2E 260/80	N 100-250/90	90,0	N 100-250/90	90,0	MULTI 35/8	3,0	DN125+DN125+1 1/2"	DN200	2200	1700	1700
260	85	AU2E 260/85	N 100-250/110	110,0	N 100-250/110	110,0	MULTI 35/8	3,0	DN125+DN125+1 1/2"	DN200	2200	1700	1700
260	90	AU2E 260/90	N 100-250/110	110,0	N 100-250/110	110,0	MULTI 35/10	4,0	DN125+DN125+1 1/2"	DN200	2200	1700	1700
260	95	AU2E 260/95	N 100-250/110	110,0	N 100-250/110	110,0	MULTI 35/10	4,0	DN125+DN125+1 1/2"	DN200	2200	1700	1700
260	100	AU2E 260/100	N 125-315/132	132,0	N 125-315/132	132,0	MULTI 35/10	4,0	DN150+DN150+1 1/2"	DN250	2600	2000	1980
260	105	AU2E 260/105	N 125-315/132	132,0	N 125-315/132	132,0	MULTI 35/10	4,0	DN150+DN150+1 1/2"	DN250	2600	2000	1980
260	110	AU2E 260/110	N 125-315/132	132,0	N 125-315/132	132,0	MULTI 35/10	4,0	DN150+DN150+1 1/2"	DN250	2600	2000	1980
260	115	AU2E 260/115	N 125-315/132	132,0	N 125-315/132	132,0	MULTI 35/10	4,0	DN150+DN150+1 1/2"	DN250	2600	2000	1980
260	120	AU2E 260/120	N 125-315/160	160,0	N 125-315/160	160,0	MULTI 35/10	4,0	DN150+DN150+1 1/2"	DN250	2600	2000	1980

280	45	AU2E 280/45	N 125-200/55	55,0	N 125-200/55	55,0	MULTI 35/6	2,0	DN150+DN150+1 1/2"	DN250	2200	1700	1900
280	50	AU2E 280/50	N 125-200/75	75,0	N 125-200/75	75,0	MULTI 35/6	2,0	DN150+DN150+1 1/2"	DN250	2200	1700	1900
280	55	AU2E 280/55	N 125-200/75	75,0	N 125-200/75	75,0	MULTI 35/6	2,0	DN150+DN150+1 1/2"	DN250	2200	1700	1900
280	60	AU2E 280/60	N 125-200/75	75,0	N 125-200/75	75,0	MULTI 35/6	2,0	DN150+DN150+1 1/2"	DN250	2200	1700	1900
280	65	AU2E 280/65	N 125-250/90	90,0	N 125-250/90	90,0	MULTI 35/6	2,0	DN150+DN150+1 1/2"	DN250	2200	1700	1700
280	70	AU2E 280/70	N 100-250/90	90,0	N 100-250/90	90,0	MULTI 35/8	3,0	DN125+DN125+1 1/2"	DN200	2600	1700	1700
280	75	AU2E 280/75	N 100-250/90	90,0	N 100-250/90	90,0	MULTI 35/8	3,0	DN125+DN125+1 1/2"	DN200	2600	1700	1700
280	80	AU2E 280/80	N 100-250/110	110,0	N 100-250/110	110,0	MULTI 35/8	3,0	DN125+DN125+1 1/2"	DN200	2600	1700	1700
280	85	AU2E 280/85	N 100-250/110	110,0	N 100-250/110	110,0	MULTI 35/8	3,0	DN125+DN125+1 1/2"	DN200	2600	1700	1700
280	90	AU2E 280/90	N 100-250/110	110,0	N 100-250/110	110,0	MULTI 35/10	4,0	DN125+DN125+1 1/2"	DN200	2600	1700	1700
280	95	AU2E 280/95	N 100-250/132	132,0	N 100-250/132	132,0	MULTI 35/10	4,0	DN125+DN125+1 1/2"	DN200	2600	1700	1700
280	100	AU2E 280/100	N 125-315/132	132,0	N 125-315/132	132,0	MULTI 35/10	4,0	DN150+DN150+1 1/2"	DN250	2600	2000	1980
280	105	AU2E 280/105	N 125-315/132	132,0	N 125-315/132	132,0	MULTI 35/10	4,0	DN150+DN150+1 1/2"	DN250	2600	2000	1980
280	110	AU2E 280/110	N 125-315/132	132,0	N 125-315/132	132,0	MULTI 35/10	4,0	DN150+DN150+1 1/2"	DN250	2600	2000	1980
280	115	AU2E 280/115	N 125-315/160	160,0	N 125-315/160	160,0	MULTI 35/10	4,0	DN150+DN150+1 1/2"	DN250	2600	2000	1980
280	120	AU2E 280/120	N 125-315/160	160,0	N 125-315/160	160,0	MULTI 35/10	4,0	DN150+DN150+1 1/2"	DN250	2600	2000	1980

300	65	AU2E 300/65	N 125-250/90	90,0	N 125-250/90	90,0	MULTI 35/6	2,0	DN150+DN150+1 1/2"	DN250	2100	1700	1980
300	70	AU2E 300/70	N 125-250/110	110,0	N 125-250/110	110,0	MULTI 35/8	3,0	DN150+DN150+1 1/2"	DN250	2600	1900	1980
300	75	AU2E 300/75	N 125-250/110	110,0	N 125-250/110	110,0	MULTI 35/8	3,0	DN150+DN150+1 1/2"	DN250	2600	1900	1980
300	80	AU2E 300/80	N 125-250/132	132,0	N 125-250/132	132,0	MULTI 35/8	3,0	DN150+DN150+1 1/2"	DN250	2600	2000	1980
300	85	AU2E 300/85	N 125-250/132	132,0	N 125-250/132	132,0	MULTI 35/8	3,0	DN150+DN150+1 1/2"	DN250	2600	2000	1980
300	90	AU2E 300/90	N 125-250/160	160,0	N 125-250/160	160,0	MULTI 35/10	4,0	DN150+DN150+1 1/2"	DN250	2600	2000	1980
300	95	AU2E 300/95	N 125-250/160	160,0	N 125-250/160	160,0	MULTI 35/10	4,0	DN150+DN150+1 1/2"	DN250	2600	2000	1980
300	100	AU2E 300/100	N 125-315/132	132,0	N 125-315/132	132,0	MULTI 35/10	4,0	DN150+DN150+1 1/2"	DN250	2600	2000	1980
300	105	AU2E 300/105	N 125-315/132	132,0	N 125-315/132	132,0	MULTI 35/10	4,0	DN150+DN150+1 1/2"	DN250	2600	2000	1980
300	110	AU2E 300/110	N 125-315/132	132,0	N 125-315/132	132,0	MULTI 35/10	4,0	DN150+DN150+1 1/2"	DN250	2600	2000	1980
300	115	AU2E 300/115	N 125-315/160	160,0	N 125-315/160	160,0	MULTI 35/10	4,0	DN150+DN150+1 1/2"	DN250	2600	2000	1980
300	120	AU2E 300/120	N 125-315/160	160,0	N 125-315/160	160,0	MULTI 35/10	4,0	DN150+DN150+1 1/2"	DN250	2600	2000	1980

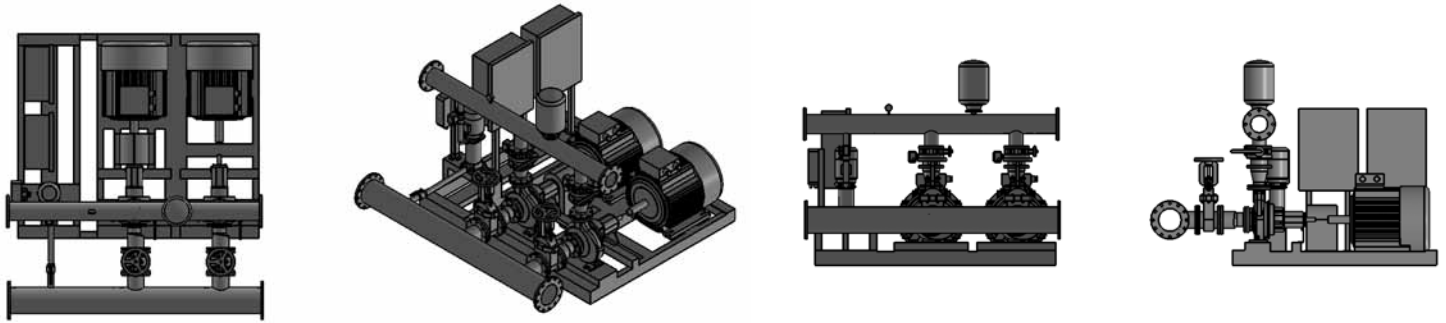


AU2E - (2 ELECTRICAL FIRE PUMPS + JOCKEY PUMP SYSTEM)

Q m³/h	H mWC	System Type	Electrical Pump		Electrical Pump		Jockey Pump		Suction Manifold	Discharge Manifold	Dimensions (mm)		
			Type	kW	Type	kW	Type	kW			A (width)	B (length)	C (height)
320	65	AU2E 320/65	N 125-250/110	110,0	N 125-250/110	110,0	MULTI 35/6	2,0	DN150+DN150+1 1/2"	DN250	2600	1900	1980
320	70	AU2E 320/70	N 125-250/110	110,0	N 125-250/110	110,0	MULTI 35/8	3,0	DN150+DN150+1 1/2"	DN250	2600	1900	1980
320	75	AU2E 320/75	N 125-250/110	110,0	N 125-250/110	110,0	MULTI 35/8	3,0	DN150+DN150+1 1/2"	DN250	2600	1900	1980
320	80	AU2E 320/80	N 125-250/132	132,0	N 125-250/132	132,0	MULTI 35/8	3,0	DN150+DN150+1 1/2"	DN250	2600	2000	1980
320	85	AU2E 320/85	N 125-250/132	132,0	N 125-250/132	132,0	MULTI 35/8	3,0	DN150+DN150+1 1/2"	DN250	2600	2000	1980
320	90	AU2E 320/90	N 125-250/160	160,0	N 125-250/160	160,0	MULTI 35/10	4,0	DN150+DN150+1 1/2"	DN250	2600	2000	1980
320	95	AU2E 320/95	N 125-250/160	160,0	N 125-250/160	160,0	MULTI 35/10	4,0	DN150+DN150+1 1/2"	DN250	2600	2000	1980
320	100	AU2E 320/100	N 125-315/132	132,0	N 125-315/132	132,0	MULTI 35/10	4,0	DN150+DN150+1 1/2"	DN250	2600	2000	1980
320	105	AU2E 320/105	N 125-315/132	132,0	N 125-315/132	132,0	MULTI 35/10	4,0	DN150+DN150+1 1/2"	DN250	2600	2000	1980
320	110	AU2E 320/110	N 125-315/160	160,0	N 125-315/160	160,0	MULTI 35/10	4,0	DN150+DN150+1 1/2"	DN250	2600	2000	1980
320	115	AU2E 320/115	N 125-315/160	160,0	N 125-315/160	160,0	MULTI 35/10	4,0	DN150+DN150+1 1/2"	DN250	2600	2000	1980
320	120	AU2E 320/120	N 125-315/160	160,0	N 125-315/160	160,0	MULTI 35/10	4,0	DN150+DN150+1 1/2"	DN250	2600	2000	1980

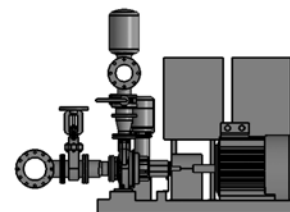
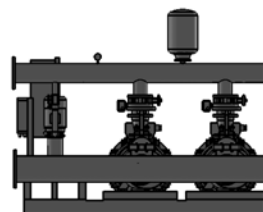
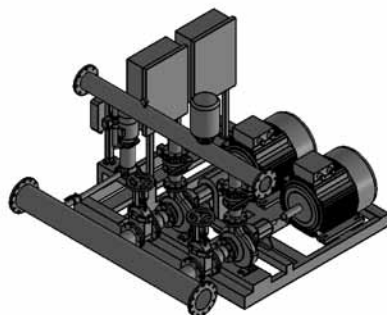
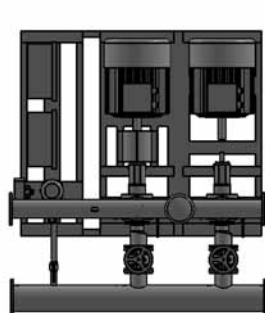
340	55	AU2E 340/55	N 125-200/75	75,0	N 125-200/75	75,0	MULTI 35/6	2,0	DN150+DN150+1 1/2"	DN250	2100	1700	1980
340	60	AU2E 340/60	N 125-250/90	90,0	N 125-250/90	90,0	MULTI 35/6	2,0	DN150+DN150+1 1/2"	DN250	2100	1700	1980
340	65	AU2E 340/65	N 125-250/110	110,0	N 125-250/110	110,0	MULTI 35/6	2,0	DN150+DN150+1 1/2"	DN250	2600	1900	1980
340	70	AU2E 340/70	N 125-250/110	110,0	N 125-250/110	110,0	MULTI 35/8	3,0	DN150+DN150+1 1/2"	DN250	2600	1900	1980
340	75	AU2E 340/75	N 125-250/132	132,0	N 125-250/132	132,0	MULTI 35/8	3,0	DN150+DN150+1 1/2"	DN250	2600	2000	1980
340	80	AU2E 340/80	N 125-250/132	132,0	N 125-250/132	132,0	MULTI 35/8	3,0	DN150+DN150+1 1/2"	DN250	2600	2000	1980
340	85	AU2E 340/85	N 125-250/132	132,0	N 125-250/132	132,0	MULTI 35/8	3,0	DN150+DN150+1 1/2"	DN250	2600	2000	1980
340	90	AU2E 340/90	N 125-250/160	160,0	N 125-250/160	160,0	MULTI 35/10	4,0	DN150+DN150+1 1/2"	DN250	2600	2000	1980
340	95	AU2E 340/95	N 125-250/160	160,0	N 125-250/160	160,0	MULTI 35/10	4,0	DN150+DN150+1 1/2"	DN250	2600	2000	1980
340	100	AU2E 340/100	N 125-315/160	160,0	N 125-315/160	160,0	MULTI 35/10	4,0	DN150+DN150+1 1/2"	DN250	2600	2000	1980
340	105	AU2E 340/105	N 125-315/160	160,0	N 125-315/160	160,0	MULTI 35/10	4,0	DN150+DN150+1 1/2"	DN250	2600	2000	1980
340	110	AU2E 340/110	N 125-315/160	160,0	N 125-315/160	160,0	MULTI 35/10	4,0	DN150+DN150+1 1/2"	DN250	2600	2000	1980
340	115	AU2E 340/115	N 125-315/160	160,0	N 125-315/160	160,0	MULTI 35/10	4,0	DN150+DN150+1 1/2"	DN250	2600	2000	1980
340	120	AU2E 340/120	N 125-315/185	185,0	N 125-315/185	185,0	MULTI 35/10	4,0	DN150+DN150+1 1/2"	DN250	2600	2000	1980

360	55	AU2E 360/55	N 125-250/90	90,0	N 125-250/90	90,0	MULTI 35/6	2,0	DN150+DN150+1 1/2"	DN250	2100	1700	1980
360	60	AU2E 360/60	N 125-250/90	90,0	N 125-250/90	90,0	MULTI 35/6	2,0	DN150+DN150+1 1/2"	DN250	2100	1700	1980
360	65	AU2E 360/65	N 125-250/110	110,0	N 125-250/110	110,0	MULTI 35/6	2,0	DN150+DN150+1 1/2"	DN250	2600	1900	1980
360	70	AU2E 360/70	N 125-250/110	110,0	N 125-250/110	110,0	MULTI 35/8	3,0	DN150+DN150+1 1/2"	DN250	2600	1900	1980
360	75	AU2E 360/75	N 125-250/132	132,0	N 125-250/132	132,0	MULTI 35/8	3,0	DN150+DN150+1 1/2"	DN250	2600	2000	1980
360	80	AU2E 360/80	N 125-250/132	132,0	N 125-250/132	132,0	MULTI 35/8	3,0	DN150+DN150+1 1/2"	DN250	2600	2000	1980
360	85	AU2E 360/85	N 125-250/132	132,0	N 125-250/132	132,0	MULTI 35/8	3,0	DN150+DN150+1 1/2"	DN250	2600	2000	1980
360	90	AU2E 360/90	N 125-250/160	160,0	N 125-250/160	160,0	MULTI 35/10	4,0	DN150+DN150+1 1/2"	DN250	2600	2000	1980
360	95	AU2E 360/95	N 125-250/160	160,0	N 125-250/160	160,0	MULTI 35/10	4,0	DN150+DN150+1 1/2"	DN250	2600	2000	1980
360	100	AU2E 360/100	N 125-315/160	160,0	N 125-315/160	160,0	MULTI 35/10	4,0	DN150+DN150+1 1/2"	DN250	2600	2000	1980
360	105	AU2E 360/105	N 125-315/160	160,0	N 125-315/160	160,0	MULTI 35/10	4,0	DN150+DN150+1 1/2"	DN250	2600	2000	1980
360	110	AU2E 360/110	N 125-315/160	160,0	N 125-315/160	160,0	MULTI 35/10	4,0	DN150+DN150+1 1/2"	DN250	2600	2000	1980
360	115	AU2E 360/115	N 125-315/185	185,0	N 125-315/185	185,0	MULTI 35/10	4,0	DN150+DN150+1 1/2"	DN250	2600	2000	1980
360	120	AU2E 360/120	N 125-315/185	185,0	N 125-315/185	185,0	MULTI 35/10	4,0	DN150+DN150+1 1/2"	DN250	2600	2000	1980



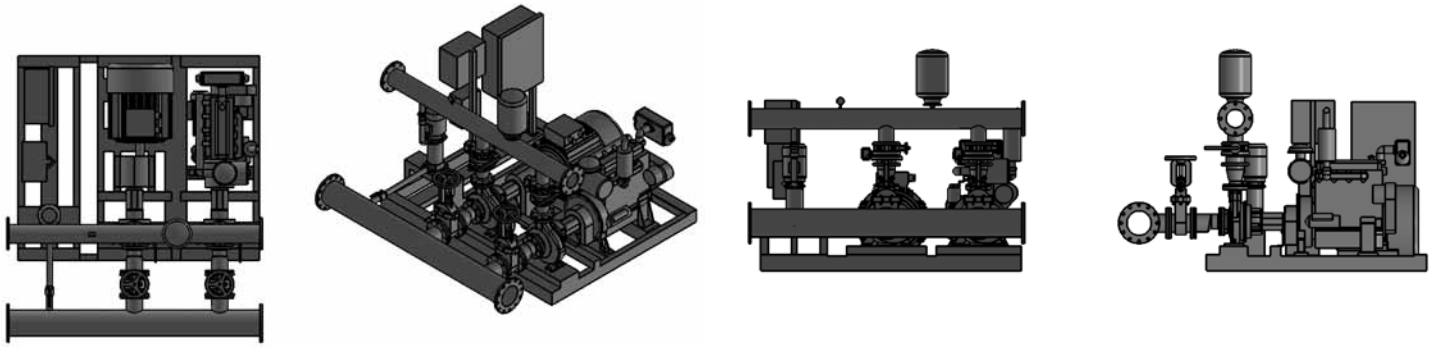
AU2E - (2 ELECTRICAL FIRE PUMPS + JOCKEY PUMP SYSTEM)

Q m³/h	H mWC	System Type	Electrcal Pump Type	kW	Electrcal Pump Type	kW	Jockey Pump Type	kW	Suction Manifold	Discharge Manifold	Dimensions (mm)		
											A (width)	B (length)	C (height)
380	75	AU2E 380/75	N 125-250/132	132,0	N 125-250/132	132,0	MULTI 35/8	3,0	DN150+DN150+1 1/2"	DN250	2600	2000	1980
380	80	AU2E 380/80	N 125-250/132	132,0	N 125-250/132	132,0	MULTI 35/8	3,0	DN150+DN150+1 1/2"	DN250	2600	2000	1980
380	85	AU2E 380/85	N 125-250/160	160,0	N 125-250/160	160,0	MULTI 35/8	3,0	DN150+DN150+1 1/2"	DN250	2600	2000	1980
380	90	AU2E 380/90	N 125-250/160	160,0	N 125-250/160	160,0	MULTI 35/10	4,0	DN150+DN150+1 1/2"	DN250	2600	2000	1980
380	95	AU2E 380/95	N 125-315/160	160,0	N 125-315/160	160,0	MULTI 35/10	4,0	DN150+DN150+1 1/2"	DN250	2600	2000	1980
380	100	AU2E 380/100	N 125-315/160	160,0	N 125-315/160	160,0	MULTI 35/10	4,0	DN150+DN150+1 1/2"	DN250	2600	2000	1980
380	105	AU2E 380/105	N 125-315/185	185,0	N 125-315/185	185,0	MULTI 35/10	4,0	DN150+DN150+1 1/2"	DN250	2600	2000	1980
380	110	AU2E 380/110	N 125-315/185	185,0	N 125-315/185	185,0	MULTI 35/10	4,0	DN150+DN150+1 1/2"	DN250	2600	2000	1980
380	115	AU2E 380/115	N 125-315/185	185,0	N 125-315/185	185,0	MULTI 35/10	4,0	DN150+DN150+1 1/2"	DN250	2600	2000	1980
380	120	AU2E 380/120	N 125-315/185	185,0	N 125-315/185	185,0	MULTI 35/10	4,0	DN150+DN150+1 1/2"	DN250	2600	2000	1980
400	55	AU2E 400/55	N 125-250/110	110,0	N 125-250/110	110,0	MULTI 35/6	2,0	DN150+DN150+1 1/2"	DN250	2600	1900	1980
400	60	AU2E 400/60	N 125-250/110	110,0	N 125-250/110	110,0	MULTI 35/6	2,0	DN150+DN150+1 1/2"	DN250	2600	1900	1980
400	65	AU2E 400/65	N 125-250/110	110,0	N 125-250/110	110,0	MULTI 35/6	2,0	DN150+DN150+1 1/2"	DN250	2600	1900	1980
400	70	AU2E 400/70	N 125-250/132	132,0	N 125-250/132	132,0	MULTI 35/8	3,0	DN150+DN150+1 1/2"	DN250	2600	2000	1980
400	75	AU2E 400/75	N 125-250/132	132,0	N 125-250/132	132,0	MULTI 35/8	3,0	DN150+DN150+1 1/2"	DN250	2600	2000	1980
400	80	AU2E 400/80	N 125-250/132	132,0	N 125-250/132	132,0	MULTI 35/8	3,0	DN150+DN150+1 1/2"	DN250	2600	2000	1980
400	85	AU2E 400/85	N 125-250/160	160,0	N 125-250/160	160,0	MULTI 35/8	3,0	DN150+DN150+1 1/2"	DN250	2600	2000	1980
400	90	AU2E 400/90	N 125-250/160	160,0	N 125-250/160	160,0	MULTI 35/10	4,0	DN150+DN150+1 1/2"	DN250	2600	2000	1980
400	95	AU2E 400/95	N 125-315/160	160,0	N 125-315/160	160,0	MULTI 35/10	4,0	DN150+DN150+1 1/2"	DN250	2600	2000	1980
400	100	AU2E 400/100	N 125-315/160	160,0	N 125-315/160	160,0	MULTI 35/10	4,0	DN150+DN150+1 1/2"	DN250	2600	2000	1980
400	105	AU2E 400/105	N 125-315/160	160,0	N 125-315/160	160,0	MULTI 35/10	4,0	DN150+DN150+1 1/2"	DN250	2600	2000	1980
400	110	AU2E 400/110	N 125-315/185	185,0	N 125-315/185	185,0	MULTI 35/10	4,0	DN150+DN150+1 1/2"	DN250	2600	2000	1980
400	115	AU2E 400/115	N 125-315/185	185,0	N 125-315/185	185,0	MULTI 35/10	4,0	DN150+DN150+1 1/2"	DN250	2600	2000	1980
400	120	AU2E 400/120	N 125-315/200	200,0	N 125-315/200	200,0	MULTI 35/10	4,0	DN150+DN150+1 1/2"	DN250	2600	2000	1980
450	55	AU2E 450/55	N 125-250/110	110,0	N 125-250/110	110,0	MULTI 35/6	2,0	DN150+DN150+1 1/2"	DN250	2600	1900	1980
450	60	AU2E 450/60	N 125-250/132	132,0	N 125-250/132	132,0	MULTI 35/6	2,0	DN150+DN150+1 1/2"	DN250	2600	2000	1980
450	65	AU2E 450/65	N 125-250/132	132,0	N 125-250/132	132,0	MULTI 35/6	2,0	DN150+DN150+1 1/2"	DN250	2600	2000	1980
450	70	AU2E 450/70	N 125-250/132	132,0	N 125-250/132	132,0	MULTI 35/8	3,0	DN150+DN150+1 1/2"	DN250	2600	2000	1980
450	75	AU2E 450/75	N 125-250/132	132,0	N 125-250/132	132,0	MULTI 35/8	3,0	DN150+DN150+1 1/2"	DN250	2600	2000	1980
450	80	AU2E 450/80	N 125-250/160	160,0	N 125-250/160	160,0	MULTI 35/8	3,0	DN150+DN150+1 1/2"	DN250	2600	2000	1980
450	85	AU2E 450/85	N 125-250/160	160,0	N 125-250/160	160,0	MULTI 35/8	3,0	DN150+DN150+1 1/2"	DN250	2600	2000	1980
450	90	AU2E 450/90	N 125-250/185	185,0	N 125-250/185	185,0	MULTI 35/10	4,0	DN150+DN150+1 1/2"	DN250	2600	2000	1980
450	95	AU2E 450/95	N 150-315/185	185,0	N 150-315/185	185,0	MULTI 35/10	4,0	DN200+DN200+1 1/2"	DN300	2600	2000	1980
450	100	AU2E 450/100	N 150-315/200	200,0	N 150-315/200	200,0	MULTI 35/10	4,0	DN200+DN200+1 1/2"	DN300	2600	2000	1980
450	105	AU2E 450/105	N 150-315/200	200,0	N 150-315/200	200,0	MULTI 35/10	4,0	DN200+DN200+1 1/2"	DN300	2600	2000	1980
450	110	AU2E 450/110	N 150-315/250	250,0	N 150-315/250	250,0	MULTI 35/10	4,0	DN200+DN200+1 1/2"	DN300	2700	2300	2150
450	115	AU2E 450/115	N 150-315/250	250,0	N 150-315/250	250,0	MULTI 35/10	4,0	DN200+DN200+1 1/2"	DN300	2700	2300	2150
450	120	AU2E 450/120	N 150-315/250	250,0	N 150-315/250	250,0	MULTI 35/10	4,0	DN200+DN200+1 1/2"	DN300	2700	2300	2150



AU2E - (2 ELECTRICAL FIRE PUMPS + JOCKEY PUMP SYSTEM)

Q m³/h	H mWC	System Type	Electrical Pump Type	kW	Electrical Pump Type	kW	Jockey Pump Type	kW	Suction Manifold	Discharge Manifold	Dimensions (mm)		
											A (width)	B (length)	C (height)
500	65	AU2E 500/65	N 125-250/132	132,0	N 125-250/132	132,0	MULTI 35/6	2,0	DN150+DN150+1 1/2"	DN250	2600	2000	1980
500	70	AU2E 500/70	N 125-250/160	160,0	N 125-250/160	160,0	MULTI 35/8	3,0	DN150+DN150+1 1/2"	DN250	2600	2000	1980
500	75	AU2E 500/75	N 125-250/160	160,0	N 125-250/160	160,0	MULTI 35/8	3,0	DN150+DN150+1 1/2"	DN250	2600	2000	1980
500	80	AU2E 500/80	N 125-250/160	160,0	N 125-250/160	160,0	MULTI 35/8	3,0	DN150+DN150+1 1/2"	DN250	2600	2000	1980
500	85	AU2E 500/85	N 125-250/185	185,0	N 125-250/185	185,0	MULTI 35/8	3,0	DN150+DN150+1 1/2"	DN250	2600	2000	1980
500	90	AU2E 500/90	N 125-250/185	185,0	N 125-250/185	185,0	MULTI 35/10	4,0	DN150+DN150+1 1/2"	DN250	2600	2000	1980
500	95	AU2E 500/95	N 150-315/185	185,0	N 150-315/185	185,0	MULTI 35/10	4,0	DN200+DN200+1 1/2"	DN300	2600	2000	2050
500	100	AU2E 500/100	N 150-315/200	200,0	N 150-315/200	200,0	MULTI 35/10	4,0	DN200+DN200+1 1/2"	DN300	2600	2000	2050
500	105	AU2E 500/105	N 150-315/250	250,0	N 150-315/250	250,0	MULTI 35/10	4,0	DN200+DN200+1 1/2"	DN300	2700	2300	2150
500	110	AU2E 500/110	N 150-315/250	250,0	N 150-315/250	250,0	MULTI 35/10	4,0	DN200+DN200+1 1/2"	DN300	2700	2300	2150
500	115	AU2E 500/115	N 150-315/250	250,0	N 150-315/250	250,0	MULTI 35/10	4,0	DN200+DN200+1 1/2"	DN300	2700	2300	2150
500	120	AU2E 500/120	N 150-315/250	250,0	N 150-315/250	250,0	MULTI 35/10	4,0	DN200+DN200+1 1/2"	DN300	2700	2300	2150

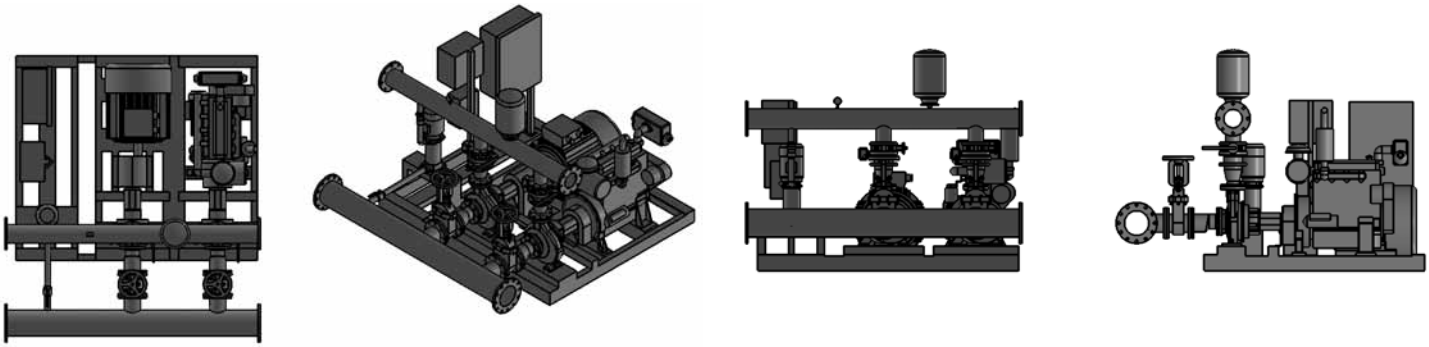


AUED - (1 ELECTRICAL FIRE PUMP + 1 DIESEL FIRE PUMP + JOCKEY PUMP SYSTEM)

Q m³/h	H mWC	System Type	Electrical Pump Type	kW	Diesel Pump Type	kW	Jockey Pump Type	kW	Diesel Engine Model	Suction Manifold	Discharge Manifold	Dimensions (mm)		
												A (width)	B (length)	C (height)
12	45	AUED 12/45	N 32-160/4	4,0	N 32160	9,5	MULTI 35/6	2,0	mitsubishi - L2E	DN50+DN50+1 1/2"	DN65	1500	1000	1200
12	50	AUED 12/50	N 32-200/5,5	5,5	N 32-200	9,5	MULTI 35/6	2,0	mitsubishi - L2E	DN50+DN50+1 1/2"	DN65	1500	1000	1200
12	55	AUED 12/55	N 32-200/5,5	5,5	N 32-200	9,5	MULTI 35/6	2,0	mitsubishi - L2E	DN50+DN50+1 1/2"	DN65	1500	1000	1200
12	60	AUED 12/60	N 32-200/7,5	7,5	N 32-200	9,5	MULTI 35/6	2,0	mitsubishi - L2E	DN50+DN50+1 1/2"	DN65	1500	1000	1200
12	65	AUED 12/65	N 32-200/7,5	7,5	N 32-200	9,5	MULTI 35/6	2,0	mitsubishi - L2E	DN50+DN50+1 1/2"	DN65	1500	1000	1200
12	70	AUED 12/70	N 32-250/11	11,0	N 32-250	9,5	MULTI 35/8	3,0	mitsubishi - L2E	DN50+DN50+1 1/2"	DN65	1550	1100	1250
12	75	AUED 12/75	N 32-250/11	11,0	N 32-250	9,5	MULTI 35/8	3,0	mitsubishi - L2E	DN50+DN50+1 1/2"	DN65	1550	1100	1250
12	80	AUED 12/80	N 32-250/11	11,0	N 32-250	9,5	MULTI 35/8	3,0	mitsubishi - L2E	DN50+DN50+1 1/2"	DN65	1550	1100	1250
12	85	AUED 12/85	N 32-250/11	11,0	N 32-250	14,6	MULTI 35/8	3,0	mitsubishi - L3E	DN50+DN50+1 1/2"	DN65	1550	1100	1250
12	90	AUED 12/90	N 32-250/15	15,0	N 32-250	14,6	MULTI 35/10	4,0	mitsubishi - L3E	DN50+DN50+1 1/2"	DN65	1550	1100	1250
12	95	AUED 12/95	N 32-250/15	15,0	N 32-250	14,6	MULTI 35/10	4,0	mitsubishi - L3E	DN50+DN50+1 1/2"	DN65	1550	1100	1250

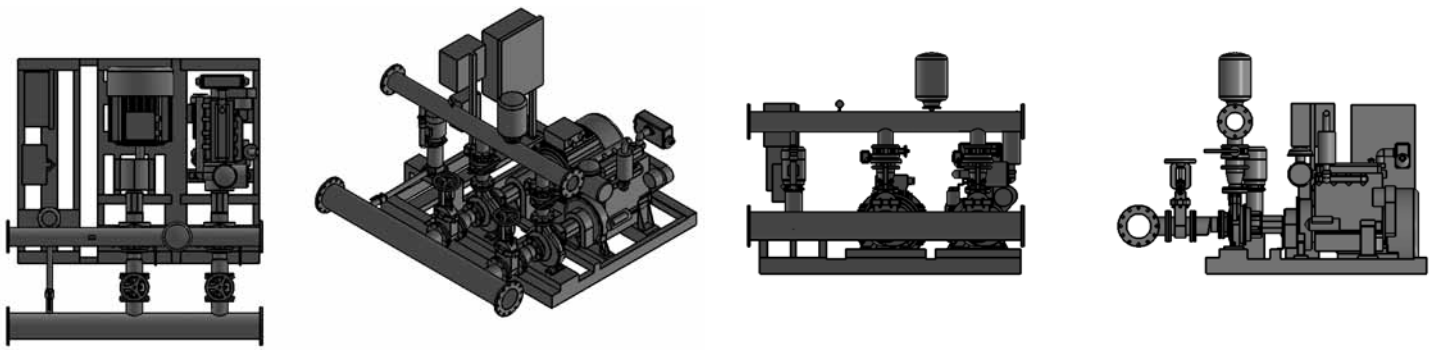
18	45	AUED 18/45	N 32-200/5,5	5,5	N 32-200	9,5	MULTI 35/6	2,0	mitsubishi - L2E	DN50+DN50+1 1/2"	DN65	1500	1000	1200
18	50	AUED 18/50	N 32-200/5,5	5,5	N 32-200	9,5	MULTI 35/6	2,0	mitsubishi - L2E	DN50+DN50+1 1/2"	DN65	1500	1000	1200
18	55	AUED 18/55	N 32-200/7,5	7,5	N 32-200	9,5	MULTI 35/6	2,0	mitsubishi - L2E	DN50+DN50+1 1/2"	DN65	1500	1000	1200
18	60	AUED 18/60	N 32-200/7,5	7,5	N 32-200	9,5	MULTI 35/6	2,0	mitsubishi - L2E	DN50+DN50+1 1/2"	DN65	1500	1000	1200
18	65	AUED 18/65	N 32-250/11	11,0	N 32-250	9,5	MULTI 35/8	3,0	mitsubishi - L2E	DN50+DN50+1 1/2"	DN65	1550	1100	1250
18	70	AUED 18/70	N 32-250/11	11,0	N 32-250	9,5	MULTI 35/8	3,0	mitsubishi - L2E	DN50+DN50+1 1/2"	DN65	1550	1100	1250
18	75	AUED 18/75	N 32-250/11	11,0	N 32-250	14,6	MULTI 35/8	3,0	mitsubishi - L3E	DN50+DN50+1 1/2"	DN65	1550	1100	1250
18	80	AUED 18/80	N 32-250/11	11,0	N 32-250	14,6	MULTI 35/8	3,0	mitsubishi - L3E	DN50+DN50+1 1/2"	DN65	1550	1100	1250
18	85	AUED 18/85	N 32-250/11	11,0	N 32-250	14,6	MULTI 35/8	3,0	mitsubishi - L3E	DN50+DN50+1 1/2"	DN65	1550	1100	1250
18	90	AUED 18/90	N 32-250/15	15,0	N 32-250	14,6	MULTI 35/10	4,0	mitsubishi - L3E	DN50+DN50+1 1/2"	DN65	1550	1100	1250
18	95	AUED 18/95	N 32-250/15	15,0	N 32-250	14,6	MULTI 35/10	4,0	mitsubishi - L3E	DN50+DN50+1 1/2"	DN65	1550	1100	1250

24	45	AUED 24/45	N 40-160/7,5	7,5	N 40-160	9,5	MULTI 35/6	2,0	mitsubishi - L2E	DN65+DN65+1 1/2"	DN80	1500	1100	1230
24	50	AUED 24/50	N 40-160/7,5	7,5	N 40-160	9,5	MULTI 35/6	2,0	mitsubishi - L2E	DN65+DN65+1 1/2"	DN80	1500	1100	1230
24	55	AUED 24/55	N 40-200/11	11,0	N 40-200	9,5	MULTI 35/6	2,0	mitsubishi - L2E	DN65+DN65+1 1/2"	DN80	1550	1000	1230
24	60	AUED 24/60	N 40-200/11	11,0	N 40-200	9,5	MULTI 35/6	2,0	mitsubishi - L2E	DN65+DN65+1 1/2"	DN80	1550	1000	1230
24	65	AUED 24/65	N 40-200/11	11,0	N 40-200	14,6	MULTI 35/6	2,0	mitsubishi - L3E	DN65+DN65+1 1/2"	DN80	1550	1000	1230
24	70	AUED 24/70	N 32-250/15	15,0	N 32-250	14,6	MULTI 35/8	3,0	mitsubishi - L3E	DN50+DN50+1 1/2"	DN65	1550	1100	1250
24	75	AUED 24/75	N 32-250/18,5	18,5	N 32-250	19,3	MULTI 35/8	3,0	mitsubishi - S3L2	DN50+DN50+1 1/2"	DN65	1550	1100	1250
24	80	AUED 24/80	N 32-250/18,5	18,5	N 32-250	19,3	MULTI 35/8	3,0	mitsubishi - S3L2	DN50+DN50+1 1/2"	DN65	1550	1100	1250
24	85	AUED 24/85	N 32-250/18,5	18,5	N 32-250	19,3	MULTI 35/8	3,0	mitsubishi - S3L2	DN50+DN50+1 1/2"	DN65	1550	1100	1250
24	90	AUED 24/90	N 32-250/22	22,0	N 32-250	19,3	MULTI 35/10	4,0	mitsubishi - S3L2	DN50+DN50+1 1/2"	DN65	1550	1100	1250
24	95	AUED 24/95	N 32-250/22	22,0	N 32-250	19,3	MULTI 35/10	4,0	mitsubishi - S3L2	DN50+DN50+1 1/2"	DN65	1550	1100	1250
36	45	AUED 36/45	N 50-200/11	11,0	N 50-200	9,5	MULTI 35/6	2,0	mitsubishi - L2E	DN65+DN65+1 1/2"	DN100	1550	1100	1280
36	50	AUED 36/50	N 50-200/11	11,0	N 50-200	14,6	MULTI 35/6	2,0	mitsubishi - L3E	DN65+DN65+1 1/2"	DN100	1550	1100	1280
36	55	AUED 36/55	N 50-200/15	15,0	N 50-200	14,6	MULTI 35/6	2,0	mitsubishi - L3E	DN65+DN65+1 1/2"	DN100	1550	1100	1280
36	60	AUED 36/60	N 50-200/15	15,0	N 50-200	14,6	MULTI 35/6	2,0	mitsubishi - L3E	DN65+DN65+1 1/2"	DN100	1550	1100	1280
36	65	AUED 36/65	N 50-250/15	15,0	N 50-250	14,6	MULTI 35/6	2,0	mitsubishi - L3E	DN65+DN65+1 1/2"	DN100	1550	1100	1280
36	70	AUED 36/70	N 40-250/18,5	18,5	N 40-250	19,3	MULTI 35/8	3,0	mitsubishi - S3L2	DN50+DN50+1 1/2"	DN80	1550	1100	1300
36	75	AUED 36/75	N 40-250/22	22,0	N 40-250	19,3	MULTI 35/8	3,0	mitsubishi - S3L2	DN50+DN50+1 1/2"	DN80	1600	1200	1300
36	80	AUED 36/80	N 40-250/22	22,0	N 40-250	25,1	MULTI 35/8	3,0	mitsubishi - S4L2	DN50+DN50+1 1/2"	DN80	1600	1200	1300
36	85	AUED 36/85	N 40-250/30	30,0	N 40-250	25,1	MULTI 35/8	3,0	mitsubishi - S4L2	DN50+DN50+1 1/2"	DN80	1600	1250	1300
36	90	AUED 36/90	N 40-250/30	30,0	N 40-250	25,1	MULTI 35/10	4,0	mitsubishi - S4L2	DN50+DN50+1 1/2"	DN80	1600	1250	1300



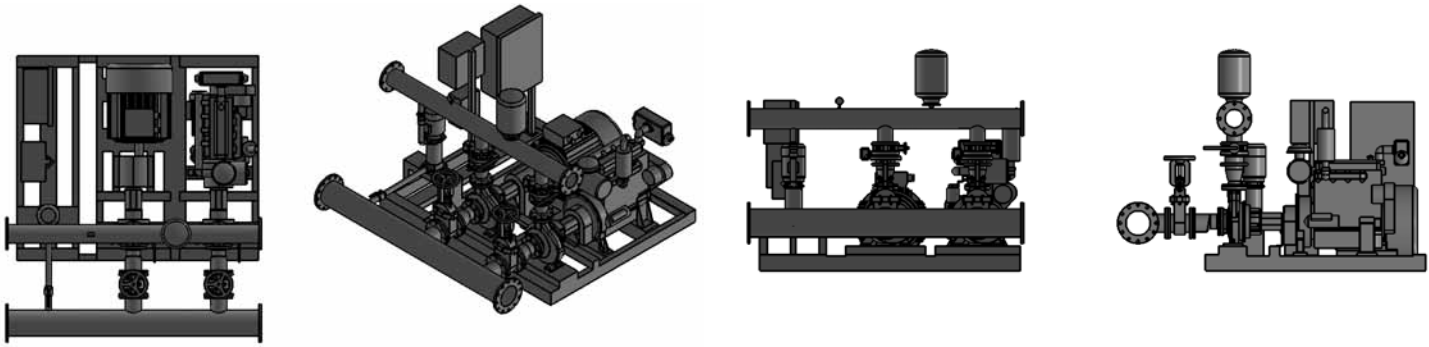
AUED - (1 ELECTRICAL FIRE PUMP + 1 DIESEL FIRE PUMP + JOCKEY PUMP SYSTEM)

Q m³/h	H mWC	System Type	Electrical Pump Type	kW	Diesel Pump Type	kW	Jockey Pump Type	kW	Diesel Engine Model	Suction Manifold	Discharge Manifold	Dimensions (mm)		
												A (width)	B (length)	C (height)
45	55	AUED 45/55	N 50-200/15	15,0	N 50-200	14,6	MULTI 35/6	2,0	MITSUBISHI - L3E	DN65+DN65+1 1/2"	DN100	1550	1100	1280
45	60	AUED 45/60	N 50-200/15	15,0	N 50-200	14,6	MULTI 35/6	2,0	MITSUBISHI - L3E	DN65+DN65+1 1/2"	DN100	1550	1100	1280
45	65	AUED 45/65	N 50-250/18,5	18,5	N 50-250	19,3	MULTI 35/6	2,0	MITSUBISHI - S3L2	DN65+DN65+1 1/2"	DN100	1600	1100	1280
45	70	AUED 45/70	N 50-250/18,5	18,5	N 50-250	19,3	MULTI 35/8	3,0	MITSUBISHI - S3L2	DN65+DN65+1 1/2"	DN100	1600	1100	1280
45	75	AUED 45/75	N 50-250/22	22,0	N 50-250	25,1	MULTI 35/8	3,0	MITSUBISHI - S4L2	DN65+DN65+1 1/2"	DN100	1600	1200	1310
45	80	AUED 45/80	N 50-250/22	22,0	N 50-250	25,1	MULTI 35/8	3,0	MITSUBISHI - S4L2	DN65+DN65+1 1/2"	DN100	1600	1200	1310
45	85	AUED 45/85	N 50-250/30	30,0	N 50-250	25,1	MULTI 35/8	3,0	MITSUBISHI - S4L2	DN65+DN65+1 1/2"	DN100	1600	1200	1310
45	90	AUED 45/90	N 50-250/30	30,0	N 50-250	25,1	MULTI 35/10	4,0	MITSUBISHI - S4L2	DN65+DN65+1 1/2"	DN100	1600	1200	1310
45	95	AUED 45/95	N 50-250/30	30,0	N 50-250	25,1	MULTI 35/10	4,0	MITSUBISHI - S4L2	DN65+DN65+1 1/2"	DN100	1600	1200	1310
50	55	AUED 50/55	N 50-200/15	15,0	N 50-200	14,6	MULTI 35/6	2,0	MITSUBISHI - L3E	DN65+DN65+1 1/2"	DN100	1550	1100	1280
50	60	AUED 50/60	N 50-200/18,5	18,5	N 50-200	19,3	MULTI 35/6	2,0	MITSUBISHI - S3L2	DN65+DN65+1 1/2"	DN100	1550	1100	1280
50	65	AUED 50/65	N 50-250/18,5	18,5	N 50-250	19,3	MULTI 35/6	2,0	MITSUBISHI - S3L2	DN65+DN65+1 1/2"	DN100	1600	1100	1280
50	70	AUED 50/70	N 50-250/18,5	18,5	N 50-250	19,3	MULTI 35/8	3,0	MITSUBISHI - S3L2	DN65+DN65+1 1/2"	DN100	1600	1100	1280
50	75	AUED 50/75	N 50-250/22	22,0	N 50-250	19,3	MULTI 35/8	3,0	MITSUBISHI - S3L2	DN65+DN65+1 1/2"	DN100	1600	1200	1310
50	80	AUED 50/80	N 50-250/22	22,0	N 50-250	25,1	MULTI 35/8	3,0	MITSUBISHI - S4L2	DN65+DN65+1 1/2"	DN100	1600	1200	1310
50	85	AUED 50/85	N 50-250/30	30,0	N 50-250	25,1	MULTI 35/8	3,0	MITSUBISHI - S4L2	DN65+DN65+1 1/2"	DN100	1600	1200	1310
50	90	AUED 50/90	N 50-250/30	30,0	N 50-250	25,1	MULTI 35/10	4,0	MITSUBISHI - S4L2	DN65+DN65+1 1/2"	DN100	1600	1200	1310
50	95	AUED 50/95	N 50-250/30	30,0	N 50-250	30,0	MULTI 35/10	4,0	MITSUBISHI - S4Q2	DN65+DN65+1 1/2"	DN100	1600	1200	1310
60	45	AUED 60/45	N 65-200/15	15,0	N 65-200	13,5	MULTI 35/6	2,0	MITSUBISHI - L3E	DN80+DN80+1 1/2"	DN125	1550	1100	1330
60	50	AUED 60/50	N 65-200/18,5	18,5	N 65-200	19,3	MULTI 35/6	2,0	MITSUBISHI - S3L2	DN80+DN80+1 1/2"	DN125	1550	1100	1330
60	55	AUED 60/55	N 65-200/18,5	18,5	N 65-200	19,3	MULTI 35/6	2,0	MITSUBISHI - S3L2	DN80+DN80+1 1/2"	DN125	1550	1100	1330
60	60	AUED 60/60	N 65-250/18,5	18,5	N 65-250	19,3	MULTI 35/6	2,0	MITSUBISHI - S3L2	DN80+DN80+1 1/2"	DN125	1550	1100	1330
60	65	AUED 60/65	N 65-250/22	22,0	N 65-250	25,1	MULTI 35/6	2,0	MITSUBISHI - S4L2	DN80+DN80+1 1/2"	DN125	1600	1200	1400
60	70	AUED 60/70	N 65-250/30	30,0	N 65-250	25,1	MULTI 35/8	3,0	MITSUBISHI - S4L2	DN80+DN80+1 1/2"	DN125	1600	1200	1400
60	75	AUED 60/75	N 65-250/30	30,0	N 65-250	25,1	MULTI 35/8	3,0	MITSUBISHI - S4L2	DN80+DN80+1 1/2"	DN125	1600	1200	1400
60	80	AUED 60/80	N 65-250/30	30,0	N 65-250	30,0	MULTI 35/8	3,0	MITSUBISHI - S4Q2	DN80+DN80+1 1/2"	DN125	1600	1200	1400
60	85	AUED 60/85	N 65-250/30	30,0	N 65-250	30,0	MULTI 35/8	3,0	MITSUBISHI - S4Q2	DN80+DN80+1 1/2"	DN125	1600	1200	1400
60	90	AUED 60/90	N 65-250/30	30,0	N 65-250	30,0	MULTI 35/10	4,0	MITSUBISHI - S4Q2	DN80+DN80+1 1/2"	DN125	1600	1200	1400
60	95	AUED 60/95	N 65-250/37	37,0	N 65-250	45,0	MULTI 35/10	4,0	MITSUBISHI - S4S	DN80+DN80+1 1/2"	DN125	1600	1200	1400
60	100	AUED 60/100	N 65-315/37	37,0	N 65-315	45,0	MULTI 35/10	4,0	MITSUBISHI - S4S	DN80+DN80+1 1/2"	DN125	1600	1400	1480
60	105	AUED 60/105	N 65-315/37	37,0	N 65-315	45,0	MULTI 35/10	4,0	MITSUBISHI - S4S	DN80+DN80+1 1/2"	DN125	1600	1400	1480
60	110	AUED 60/110	N 65-315/45	45,0	N 65-315	45,0	MULTI 35/10	4,0	MITSUBISHI - S4S	DN80+DN80+1 1/2"	DN125	1650	1500	1480
60	115	AUED 60/115	N 65-315/45	45,0	N 65-315	45,0	MULTI 35/10	4,0	MITSUBISHI - S4S	DN80+DN80+1 1/2"	DN125	1650	1500	1480
60	120	AUED 60/120	N 65-315/45	45,0	N 65-315	45,0	MULTI 35/10	4,0	MITSUBISHI - S4S	DN80+DN80+1 1/2"	DN125	1650	1500	1480
72	45	AUED 72/45	N 65-200/18,5	18,5	N 65-200	19,3	MULTI 35/6	2,0	MITSUBISHI - S3L2	DN80+DN80+1 1/2"	DN125	1550	1100	1330
72	50	AUED 72/50	N 65-200/18,5	18,5	N 65-200	19,3	MULTI 35/6	2,0	MITSUBISHI - S3L2	DN80+DN80+1 1/2"	DN125	1550	1100	1330
72	55	AUED 72/55	N 65-200/22	22,0	N 65-200	25,1	MULTI 35/6	2,0	MITSUBISHI - S4L2	DN80+DN80+1 1/2"	DN125	1600	1200	1400
72	60	AUED 72/60	N 65-200/22	22,0	N 65-200	25,1	MULTI 35/6	2,0	MITSUBISHI - S4L2	DN80+DN80+1 1/2"	DN125	1600	1200	1400
72	65	AUED 72/65	N 65-200/30	30,0	N 65-200	25,1	MULTI 35/6	2,0	MITSUBISHI - S4L2	DN80+DN80+1 1/2"	DN125	1600	1200	1400



AUED - (1 ELECTRICAL FIRE PUMP + 1 DIESEL FIRE PUMP + JOCKEY PUMP SYSTEM)

Q m³/h	H mWC	System Type	Electrical Pump Type	kW	Diesel Pump Type	kW	Jockey Pump Type	kW	Diesel Engine Model	Suction Manifold	Discharge Manifold	Dimensions (mm)		
												A (width)	B (length)	C (height)
72	80	AUED 72/80	N 65-250/30	30,0	N 65-250	30,0	MULTI 35/8	3,0	mitsubishi - S4Q2	DN80+DN80+1 1/2"	DN125	1600	1200	1400
72	85	AUED 72/85	N 65-250/37	37,0	N 65-250	45,0	MULTI 35/8	3,0	mitsubishi - S4S	DN80+DN80+1 1/2"	DN125	1600	1200	1400
72	90	AUED 72/90	N 65-250/37	37,0	N 65-250	45,0	MULTI 35/10	4,0	mitsubishi - S4S	DN80+DN80+1 1/2"	DN125	1600	1200	1400
72	95	AUED 72/95	N 65-250/37	37,0	N 65-250	45,0	MULTI 35/10	4,0	mitsubishi - S4S	DN80+DN80+1 1/2"	DN125	1600	1200	1400
72	100	AUED 72/100	N 65-315/45	45,0	N 65-315	45,0	MULTI 35/10	4,0	mitsubishi - S4S	DN80+DN80+1 1/2"	DN125	1650	1500	1400
72	105	AUED 72/105	N 65-315/45	45,0	N 65-315	45,0	MULTI 35/10	4,0	mitsubishi - S4S	DN80+DN80+1 1/2"	DN125	1650	1500	1400
72	110	AUED 72/110	N 65-315/45	45,0	N 65-315	45,0	MULTI 35/10	4,0	mitsubishi - S4S	DN80+DN80+1 1/2"	DN125	1650	1500	1400
72	115	AUED 72/115	N 65-315/45	45,0	N 65-315	45,0	MULTI 35/10	4,0	mitsubishi - S4S	DN80+DN80+1 1/2"	DN125	1650	1500	1400
72	120	AUED 72/120	N 65-315/55	55,0	N 65-315	55,0	MULTI 35/10	4,0	mitsubishi - S4S-DT	DN80+DN80+1 1/2"	DN125	2100	1500	1400
84	45	AUED 84/45	N 65-200/18,5	18,5	N 65-200	19,3	MULTI 35/6	2,0	mitsubishi - S3L2	DN80+DN80+1 1/2"	DN125	1550	1100	1330
84	50	AUED 84/50	N 65-200/22	22,0	N 65-200	25,1	MULTI 35/6	2,0	mitsubishi - S4L2	DN80+DN80+1 1/2"	DN125	1600	1200	1400
84	55	AUED 84/55	N 65-200/22	22,0	N 65-200	25,1	MULTI 35/6	2,0	mitsubishi - S4L2	DN80+DN80+1 1/2"	DN125	1600	1200	1400
84	60	AUED 84/60	N 65-200/30	30,0	N 65-200	25,1	MULTI 35/6	2,0	mitsubishi - S4L2	DN80+DN80+1 1/2"	DN125	1600	1200	1400
84	65	AUED 84/65	N 65-250/30	30,0	N 65-250	30,0	MULTI 35/6	2,0	mitsubishi - S4Q2	DN80+DN80+1 1/2"	DN125	1600	1200	1400
84	70	AUED 84/70	N 65-250/30	30,0	N 65-250	30,0	MULTI 35/8	3,0	mitsubishi - S4Q2	DN80+DN80+1 1/2"	DN125	1600	1200	1400
84	75	AUED 84/75	N 65-250/37	37,0	N 65-250	45,0	MULTI 35/8	3,0	mitsubishi - S4S	DN80+DN80+1 1/2"	DN125	1600	1200	1400
84	80	AUED 84/80	N 65-250/37	37,0	N 65-250	45,0	MULTI 35/8	3,0	mitsubishi - S4S	DN80+DN80+1 1/2"	DN125	1600	1200	1400
84	85	AUED 84/85	N 65-250/37	37,0	N 65-250	45,0	MULTI 35/8	3,0	mitsubishi - S4S	DN80+DN80+1 1/2"	DN125	1600	1200	1400
84	90	AUED 84/90	N 65-250/45	45,0	N 65-250	45,0	MULTI 35/10	4,0	mitsubishi - S4S	DN80+DN80+1 1/2"	DN125	1650	1500	1400
84	95	AUED 84/95	N 65-250/45	45,0	N 65-250	45,0	MULTI 35/10	4,0	mitsubishi - S4S	DN80+DN80+1 1/2"	DN125	1650	1500	1400
84	100	AUED 84/100	N 65-315/45	45,0	N 65-315	45,0	MULTI 35/10	4,0	mitsubishi - S4S	DN80+DN80+1 1/2"	DN125	1650	1500	1400
84	105	AUED 84/105	N 65-315/55	55,0	N 65-315	55,0	MULTI 35/10	4,0	mitsubishi - S4S-DT	DN80+DN80+1 1/2"	DN125	2100	1600	1530
84	110	AUED 84/110	N 65-315/55	55,0	N 65-315	55,0	MULTI 35/10	4,0	mitsubishi - S4S-DT	DN80+DN80+1 1/2"	DN125	2100	1600	1530
84	115	AUED 84/115	N 65-315/55	55,0	N 65-315	55,0	MULTI 35/10	4,0	mitsubishi - S4S-DT	DN80+DN80+1 1/2"	DN125	2100	1600	1530
84	120	AUED 84/120	N 65-315/55	55,0	N 65-315	55,0	MULTI 35/10	4,0	mitsubishi - S4S-DT	DN80+DN80+1 1/2"	DN125	2100	1600	1530
96	55	AUED 96/55	N 65-200/30	30,0	N 65-200	25,1	MULTI 35/6	2,0	mitsubishi - S4L2	DN80+DN80+1 1/2"	DN125	1600	1200	1400
96	60	AUED 96/60	N 65-200/30	30,0	N 65-200	25,1	MULTI 35/6	2,0	mitsubishi - S4L2	DN80+DN80+1 1/2"	DN125	1600	1200	1400
96	65	AUED 96/65	N 65-250/30	30,0	N 65-250	30,0	MULTI 35/6	2,0	mitsubishi - S4Q2	DN80+DN80+1 1/2"	DN125	1600	1200	1400
96	70	AUED 96/70	N 65-250/37	37,0	N 65-250	45,0	MULTI 35/8	3,0	mitsubishi - S4S	DN80+DN80+1 1/2"	DN125	1600	1200	1400
96	75	AUED 96/75	N 65-250/37	37,0	N 65-250	45,0	MULTI 35/8	3,0	mitsubishi - S4S	DN80+DN80+1 1/2"	DN125	1600	1200	1400
96	80	AUED 96/80	N 65-250/45	45,0	N 65-250	45,0	MULTI 35/8	3,0	mitsubishi - S4S	DN80+DN80+1 1/2"	DN125	1650	1500	1400
96	85	AUED 96/85	N 65-250/45	45,0	N 65-250	45,0	MULTI 35/8	3,0	mitsubishi - S4S	DN80+DN80+1 1/2"	DN125	1650	1500	1400
96	90	AUED 96/90	N 65-250/45	45,0	N 65-250	45,0	MULTI 35/10	4,0	mitsubishi - S4S	DN80+DN80+1 1/2"	DN125	1650	1500	1400
96	95	AUED 96/95	N 65-250/55	55,0	N 65-250	55,0	MULTI 35/10	4,0	mitsubishi - S4S-DT	DN80+DN80+1 1/2"	DN125	2100	1500	1450
96	100	AUED 96/100	N 65-315/55	55,0	N 65-315	55,0	MULTI 35/10	4,0	mitsubishi - S4S-DT	DN80+DN80+1 1/2"	DN125	2100	1600	1530
96	105	AUED 96/105	N 65-315/55	55,0	N 65-315	55,0	MULTI 35/10	4,0	mitsubishi - S4S-DT	DN80+DN80+1 1/2"	DN125	2100	1600	1530
96	110	AUED 96/110	N 65-315/75	75,0	N 65-315	73,0	MULTI 35/10	4,0	IVECO - N45MNF	DN80+DN80+1 1/2"	DN125	2250	1700	1530
96	115	AUED 96/115	N 65-315/75	75,0	N 65-315	73,0	MULTI 35/10	4,0	IVECO - N45MNF	DN80+DN80+1 1/2"	DN125	2250	1700	1530
96	120	AUED 96/120	N 65-315/75	75,0	N 65-315	73,0	MULTI 35/10	4,0	IVECO - N45MNF	DN80+DN80+1 1/2"	DN125	2250	1700	1530
108	45	AUED 108/45	N 80-200/22	22,0	N 80-200	25,1	MULTI 35/6	2,0	mitsubishi - S4L2	DN100+DN100+1 1/2"	DN150	1600	1400	1440
108	50	AUED 108/50	N 80-200/30	30,0	N 80-200	25,1	MULTI 35/6	2,0	mitsubishi - S4L2	DN100+DN100+1 1/2"	DN150	1600	1400	1480
108	55	AUED 108/55	N 65-200/30	30,0	N 65-200	30,0	MULTI 35/6	2,0	mitsubishi - S4Q2	DN80+DN80+1 1/2"	DN125	1600	1200	1400
108	60	AUED 108/60	N 65-200/30	30,0	N 65-200	30,0	MULTI 35/6	2,0	mitsubishi - S4Q2	DN80+DN80+1 1/2"	DN125	1600	1200	1400

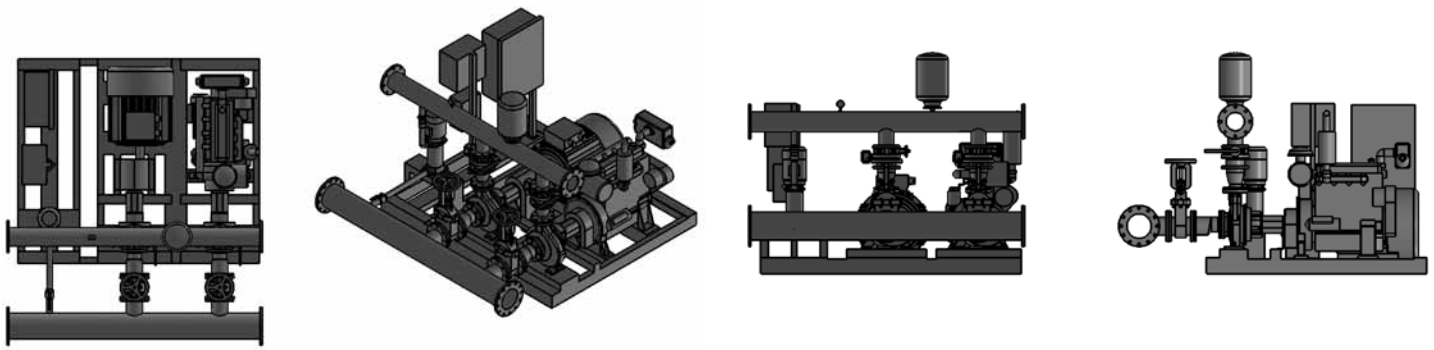


AUED - (1 ELECTRICAL FIRE PUMP + 1 DIESEL FIRE PUMP + JOCKEY PUMP SYSTEM)

Q m³/h	H mWC	System Type	Electrical Pump Type	kW	Diesel Pump Type	kW	Jockey Pump Type	kW	Diesel Engine Model	Suction Manifold	Discharge Manifold	Dimensions (mm)		
												A (width)	B (length)	C (height)
108	75	AUED 108/75	N 65-250/37	37,0	N 65-250	45,0	MULTI 35/8	3,0	mitsubishi - S4S	DN80+DN80+1 1/2"	DN125	1600	1200	1400
108	80	AUED 108/80	N 65-200/45	45,0	N 65-250	45,0	MULTI 35/8	3,0	mitsubishi - S4S	DN80+DN80+1 1/2"	DN125	1650	1500	1400
108	85	AUED 108/85	N 65-200/45	45,0	N 65-250	45,0	MULTI 35/8	3,0	mitsubishi - S4S	DN80+DN80+1 1/2"	DN125	1650	1500	1400
108	90	AUED 108/90	N 65-250/55	55,0	N 65-250	55,0	MULTI 35/10	4,0	mitsubishi - S4S-DT	DN80+DN80+1 1/2"	DN125	2100	1500	1450
108	95	AUED 108/95	N 65-250/55	55,0	N 65-250	55,0	MULTI 35/10	4,0	mitsubishi - S4S-DT	DN80+DN80+1 1/2"	DN125	2100	1500	1450
108	100	AUED 108/100	N 65-315/55	55,0	N 65-315	55,0	MULTI 35/10	4,0	mitsubishi - S4S-DT	DN80+DN80+1 1/2"	DN125	2250	1700	1530
108	105	AUED 108/105	N 65-315/75	75,0	N 65-315	73,0	MULTI 35/10	4,0	IVECO - N45MNF	DN80+DN80+1 1/2"	DN125	2250	1700	1530
108	110	AUED 108/110	N 65-315/75	75,0	N 65-315	73,0	MULTI 35/10	4,0	IVECO - N45MNF	DN80+DN80+1 1/2"	DN125	2250	1700	1530
108	115	AUED 108/115	N 65-315/75	75,0	N 65-315	73,0	MULTI 35/10	4,0	IVECO - N45MNF	DN80+DN80+1 1/2"	DN125	2250	1700	1530
108	120	AUED 108/120	N 65-315/75	75,0	N 65-315	73,0	MULTI 35/10	4,0	IVECO - N45MNF	DN80+DN80+1 1/2"	DN125	2250	1700	1530

120	45	AUED 120/45	N 80-200/30	30,0	N 80-200	30,0	MULTI 35/6	2,0	mitsubishi - S4Q2	DN100+DN100+1 1/2"	DN150	1600	1400	1480
120	50	AUED 120/50	N 80-200/30	30,0	N 80-200	30,0	MULTI 35/6	2,0	mitsubishi - S4Q2	DN100+DN100+1 1/2"	DN150	1600	1400	1480
120	55	AUED 120/55	N 80-200/37	37,0	N 80-200	45,0	MULTI 35/6	2,0	mitsubishi - S4S	DN100+DN100+1 1/2"	DN150	1600	1400	1480
120	60	AUED 120/60	N 80-200/37	37,0	N 80-200	45,0	MULTI 35/6	2,0	mitsubishi - S4S	DN100+DN100+1 1/2"	DN150	1600	1400	1480
120	65	AUED 120/65	N 80-250/37	37,0	N 80-250	45,0	MULTI 35/6	2,0	mitsubishi - S4S	DN100+DN100+1 1/2"	DN150	1600	1400	1560
120	70	AUED 120/70	N 80-250/45	45,0	N 80-250	45,0	MULTI 35/8	3,0	mitsubishi - S4S	DN100+DN100+1 1/2"	DN150	1650	1500	1560
120	75	AUED 120/75	N 80-250/45	45,0	N 80-250	45,0	MULTI 35/8	3,0	mitsubishi - S4S	DN100+DN100+1 1/2"	DN150	1650	1500	1560
120	80	AUED 120/80	N 80-250/45	45,0	N 80-250	45,0	MULTI 35/8	3,0	mitsubishi - S4S	DN100+DN100+1 1/2"	DN150	1650	1500	1560
120	85	AUED 120/85	N 80-250/55	55,0	N 80-250	55,0	MULTI 35/8	3,0	mitsubishi - S4S-DT	DN100+DN100+1 1/2"	DN150	2100	1600	1580
120	90	AUED 120/90	N 80-250/55	55,0	N 80-250	55,0	MULTI 35/10	4,0	mitsubishi - S4S-DT	DN100+DN100+1 1/2"	DN150	2100	1600	1580
120	95	AUED 120/95	N 80-250/75	75,0	N 65-250	73,0	MULTI 35/10	4,0	IVECO - N45MNF	DN100+DN100+1 1/2"	DN150	2200	1650	1640
120	100	AUED 120/100	N 80-250/75	75,0	N 80-250	73,0	MULTI 35/10	4,0	IVECO - N45MNF	DN100+DN100+1 1/2"	DN150	2200	1650	1640
120	105	AUED 120/105	N 80-250/75	75,0	N 80-250	73,0	MULTI 35/10	4,0	IVECO - N45MNF	DN100+DN100+1 1/2"	DN150	2200	1650	1640
120	110	AUED 120/110	N 65-315/75	75,0	N 65-315	73,0	MULTI 35/10	4,0	IVECO - N45MNF	DN80+DN80+1 1/2"	DN125	2250	1700	1530
120	115	AUED 120/115	N 65-315/75	75,0	N 65-315	73,0	MULTI 35/10	4,0	IVECO - N45MNF	DN80+DN80+1 1/2"	DN125	2250	1700	1530
120	120	AUED 120/120	N 65-315/75	75,0	N 65-315	73,0	MULTI 35/10	4,0	IVECO - N45MNF	DN80+DN80+1 1/2"	DN125	2250	1700	1530

132	55	AUED 132/55	N 80-200/37	37,0	N 80-200	45,0	MULTI 35/6	2,0	mitsubishi - S4S	DN100+DN100+1 1/2"	DN150	1600	1400	1480
132	60	AUED 132/60	N 80-200/45	45,0	N 80-200	45,0	MULTI 35/6	2,0	mitsubishi - S4S	DN100+DN100+1 1/2"	DN150	1650	1400	1510
132	65	AUED 132/65	N 80-250/45	45,0	N 80-250	45,0	MULTI 35/6	2,0	mitsubishi - S4S	DN100+DN100+1 1/2"	DN150	1650	1500	1570
132	70	AUED 132/70	N 80-250/45	45,0	N 80-250	45,0	MULTI 35/8	3,0	mitsubishi - S4S	DN100+DN100+1 1/2"	DN150	1650	1500	1570
132	75	AUED 132/75	N 80-250/55	55,0	N 80-250	55,0	MULTI 35/8	3,0	mitsubishi - S4S-DT	DN100+DN100+1 1/2"	DN150	2100	1600	1580
132	80	AUED 132/80	N 80-250/55	55,0	N 80-250	55,0	MULTI 35/8	3,0	mitsubishi - S4S-DT	DN100+DN100+1 1/2"	DN150	2100	1600	1580
132	85	AUED 132/85	N 80-250/55	55,0	N 80-250	55,0	MULTI 35/8	3,0	mitsubishi - S4S-DT	DN100+DN100+1 1/2"	DN150	2100	1600	1580
132	90	AUED 132/90	N 80-250/75	75,0	N 80-250	73,0	MULTI 35/10	4,0	IVECO - N45MNF	DN100+DN100+1 1/2"	DN150	2200	1650	1620
132	95	AUED 132/95	N 80-250/75	75,0	N 80-250	73,0	MULTI 35/10	4,0	IVECO - N45MNF	DN100+DN100+1 1/2"	DN150	2200	1650	1620
132	100	AUED 132/100	N 80-250/75	75,0	N 80-250	73,0	MULTI 35/10	4,0	IVECO - N45MNF	DN100+DN100+1 1/2"	DN150	2200	1650	1620
132	105	AUED 132/105	N 65-315/75	75,0	N 65-315	73,0	MULTI 35/10	4,0	IVECO - N45MNF	DN80+DN80+1 1/2"	DN125	2250	1700	1530
132	110	AUED 132/110	N 65-315/75	75,0	N 65-315	73,0	MULTI 35/10	4,0	IVECO - N45MNF	DN80+DN80+1 1/2"	DN125	2250	1700	1530
132	115	AUED 132/115	N 65-315/75	75,0	N 65-315	73,0	MULTI 35/10	4,0	IVECO - N45MNF	DN80+DN80+1 1/2"	DN125	2250	1700	1530
132	120	AUED 132/120	N 65-315/75	75,0	N 65-315	73,0	MULTI 35/10	4,0	IVECO - N45MNF	DN80+DN80+1 1/2"	DN125	2250	1700	1530

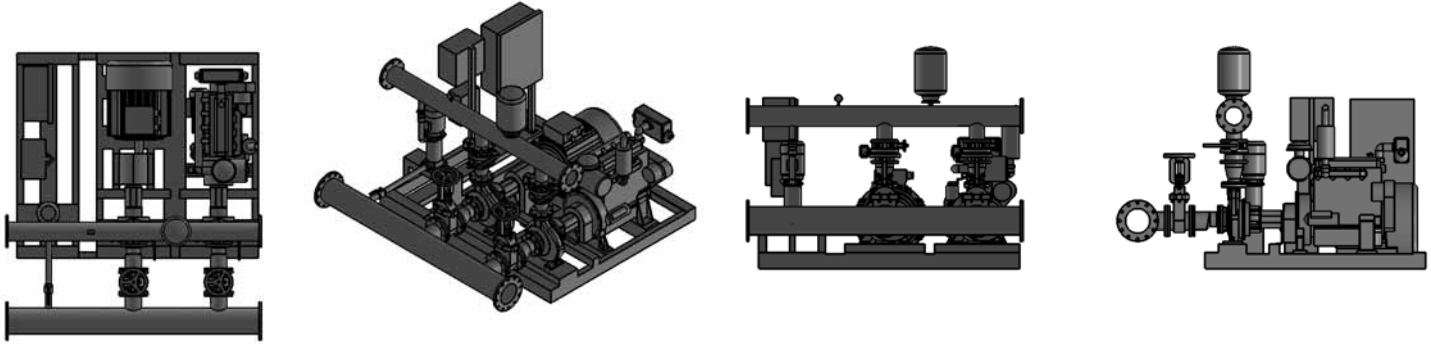


AUED - (1 ELECTRICAL FIRE PUMP + 1 DIESEL FIRE PUMP + JOCKEY PUMP SYSTEM)

Q m³/h	H mWC	System Type	Electrical Pump Type	kW	Diesel Pump Type	kW	Jockey Pump Type	kW	Diesel Engine Model	Suction Manifold	Discharge Manifold	Dimensions (mm)		
												A (width)	B (length)	C (height)
140	55	AUED 140/55	N 100-200/37	37,0	N 100-200	45,0	MULTI 35/6	2,0	mitsubishi - S4S	DN125+DN125+1 1/2"	DN200	1600	1400	1600
140	60	AUED 140/60	N 100-250/45	45,0	N 100-250	45,0	MULTI 35/6	2,0	mitsubishi - S4S	DN125+DN125+1 1/2"	DN200	1650	1500	1660
140	65	AUED 140/65	N 100-250/45	45,0	N 100-250	45,0	MULTI 35/6	2,0	mitsubishi - S4S	DN125+DN125+1 1/2"	DN200	1650	1500	1660
140	70	AUED 140/70	N 80-250/55	55,0	N 80-250	55,0	MULTI 35/8	3,0	mitsubishi - S4S-DT	DN100+DN100+1 1/2"	DN150	2100	1600	1580
140	75	AUED 140/75	N 80-250/55	55,0	N 80-250	55,0	MULTI 35/8	3,0	mitsubishi - S4S-DT	DN100+DN100+1 1/2"	DN150	2100	1600	1580
140	80	AUED 140/80	N 80-250/55	55,0	N 80-250	55,0	MULTI 35/8	3,0	mitsubishi - S4S-DT	DN100+DN100+1 1/2"	DN150	2100	1600	1580
140	85	AUED 140/85	N 80-250/55	55,0	N 80-250	55,0	MULTI 35/8	3,0	mitsubishi - S4S-DT	DN100+DN100+1 1/2"	DN150	2100	1600	1580
140	90	AUED 140/90	N 80-250/75	75,0	N 80-250	73,0	MULTI 35/10	4,0	IVECO - N45MNF	DN100+DN100+1 1/2"	DN150	2200	1650	1640
140	95	AUED 140/95	N 80-250/75	75,0	N 80-250	73,0	MULTI 35/10	4,0	IVECO - N45MNF	DN100+DN100+1 1/2"	DN150	2200	1650	1640
140	100	AUED 140/100	N 80-250/75	75,0	N 80-250	73,0	MULTI 35/10	4,0	IVECO - N45MNF	DN100+DN100+1 1/2"	DN150	2200	1650	1640
140	105	AUED 140/105	N 80-315/75	75,0	N 80-315	73,0	MULTI 35/10	4,0	IVECO - N45MNF	DN100+DN100+1 1/2"	DN150	2250	1700	1690
140	110	AUED 140/110	N 80-315/90	90,0	N 80-315	109,0	MULTI 35/10	4,0	IVECO - N45MNSF	DN100+DN100+1 1/2"	DN150	2250	1700	1690
140	115	AUED 140/115	N 80-315/90	90,0	N 80-315	109,0	MULTI 35/10	4,0	IVECO - N45MNSF	DN100+DN100+1 1/2"	DN150	2250	1700	1690
140	120	AUED 140/120	N 80-315/90	90,0	N 80-315	109,0	MULTI 35/10	4,0	IVECO - N45MNSF	DN100+DN100+1 1/2"	DN150	2250	1700	1690

150	45	AUED 150/45	N 100-200/37	37,0	N 100-200	45,0	MULTI 35/6	2,0	mitsubishi - S4S	DN125+DN125+1 1/2"	DN200	1600	1400	1600
150	50	AUED 150/50	N 100-200/37	37,0	N 100-200	45,0	MULTI 35/6	2,0	mitsubishi - S4S	DN125+DN125+1 1/2"	DN200	1600	1400	1600
150	55	AUED 150/55	N 100-250/45	45,0	N 100-250	45,0	MULTI 35/6	2,0	mitsubishi - S4S	DN125+DN125+1 1/2"	DN200	1650	1500	1660
150	60	AUED 150/60	N 100-250/45	45,0	N 100-250	45,0	MULTI 35/6	2,0	mitsubishi - S4S	DN125+DN125+1 1/2"	DN200	1650	1500	1660
150	65	AUED 150/65	N 100-250/55	55,0	N 100-250	55,0	MULTI 35/6	2,0	mitsubishi - S4S-DT	DN125+DN125+1 1/2"	DN200	2100	1600	1660
150	70	AUED 150/70	N 100-250/55	55,0	N 100-250	55,0	MULTI 35/8	3,0	mitsubishi - S4S-DT	DN125+DN125+1 1/2"	DN200	2100	1600	1660
150	75	AUED 150/75	N 80-250/55	55,0	N 80-250	55,0	MULTI 35/8	3,0	mitsubishi - S4S-DT	DN100+DN100+1 1/2"	DN150	2100	1600	1660
150	80	AUED 150/80	N 80-250/55	55,0	N 80-250	55,0	MULTI 35/8	3,0	mitsubishi - S4S-DT	DN100+DN100+1 1/2"	DN150	2100	1600	1660
150	85	AUED 150/85	N 80-250/75	75,0	N 80-250	73,0	MULTI 35/8	3,0	IVECO - N45MNF	DN100+DN100+1 1/2"	DN150	2200	1650	1620
150	90	AUED 150/90	N 80-250/75	75,0	N 80-250	73,0	MULTI 35/10	4,0	IVECO - N45MNF	DN100+DN100+1 1/2"	DN150	2200	1650	1620
150	95	AUED 150/95	N 80-250/75	75,0	N 80-250	73,0	MULTI 35/10	4,0	IVECO - N45MNF	DN100+DN100+1 1/2"	DN150	2200	1650	1620
150	100	AUED 150/100	N 80-250/75	75,0	N 80-250	73,0	MULTI 35/10	4,0	IVECO - N45MNF	DN100+DN100+1 1/2"	DN150	2200	1650	1620
150	105	AUED 150/105	N 80-315/75	75,0	N 80-315	73,0	MULTI 35/10	4,0	IVECO - N45MNF	DN100+DN100+1 1/2"	DN150	2200	1650	1620
150	110	AUED 150/110	N 80-315/90	90,0	N 80-315	109,0	MULTI 35/10	4,0	IVECO - N45MNSF	DN100+DN100+1 1/2"	DN150	2250	1700	1690
150	115	AUED 150/115	N 80-315/90	90,0	N 80-315	109,0	MULTI 35/10	4,0	IVECO - N45MNSF	DN100+DN100+1 1/2"	DN150	2250	1700	1690
150	120	AUED 150/120	N 80-315/90	90,0	N 80-315	109,0	MULTI 35/10	4,0	IVECO - N45MNSF	DN100+DN100+1 1/2"	DN150	2250	1700	1690

160	55	AUED 160/55	N 100-200/45	45,0	N 100-200	45,0	MULTI 35/6	2,0	mitsubishi - S4S	DN125+DN125+1 1/2"	DN200	1650	1500	1650
160	60	AUED 160/60	N 100-200/45	45,0	N 100-200	45,0	MULTI 35/6	2,0	mitsubishi - S4S	DN125+DN125+1 1/2"	DN200	1650	1500	1650
160	65	AUED 160/65	N 100-250/55	55,0	N 100-250	55,0	MULTI 35/6	2,0	mitsubishi - S4S-DT	DN125+DN125+1 1/2"	DN200	2100	1600	1680
160	70	AUED 160/70	N 100-250/55	55,0	N 100-250	55,0	MULTI 35/8	3,0	mitsubishi - S4S-DT	DN125+DN125+1 1/2"	DN200	2100	1600	1680
160	75	AUED 160/75	N 100-250/75	75,0	N 100-250	73,0	MULTI 35/8	3,0	IVECO - N45MNF	DN125+DN125+1 1/2"	DN200	2200	1700	1700
160	80	AUED 160/80	N 100-250/75	75,0	N 100-250	73,0	MULTI 35/8	3,0	IVECO - N45MNF	DN125+DN125+1 1/2"	DN200	2200	1700	1700
160	85	AUED 160/85	N 80-250/75	75,0	N 80-250	73,0	MULTI 35/8	3,0	IVECO - N45MNF	DN100+DN100+1 1/2"	DN150	2200	1650	1620
160	90	AUED 160/90	N 80-250/75	75,0	N 80-250	73,0	MULTI 35/10	4,0	IVECO - N45MNF	DN100+DN100+1 1/2"	DN150	2200	1650	1620
160	95	AUED 160/95	N 80-250/75	75,0	N 80-250	73,0	MULTI 35/10	4,0	IVECO - N45MNF	DN100+DN100+1 1/2"	DN150	2200	1650	1620
160	100	AUED 160/100	N 80-250/75	75,0	N 80-250	73,0	MULTI 35/10	4,0	IVECO - N45MNF	DN100+DN100+1 1/2"	DN150	2200	1650	1620
160	105	AUED 160/105	N 80-315/90	90,0	N 80-315	109,0	MULTI 35/10	4,0	IVECO - N45MNSF	DN100+DN100+1 1/2"	DN150	2200	1700	1690
160	110	AUED 160/110	N 80-315/90	90,0	N 80-315	109,0	MULTI 35/10	4,0	IVECO - N45MNSF	DN100+DN100+1 1/2"	DN150	2200	1700	1690
160	115	AUED 160/115	N 80-315/90	90,0	N 80-315	109,0	MULTI 35/10	4,0	IVECO - N45MNSF	DN100+DN100+1 1/2"	DN150	2200	1700	1690
160	120	AUED 160/120	N 80-315/90	90,0	N 80-315	109,0	MULTI 35/10	4,0	IVECO - N45MNSF	DN100+DN100+1 1/2"	DN150	2200	1700	1690

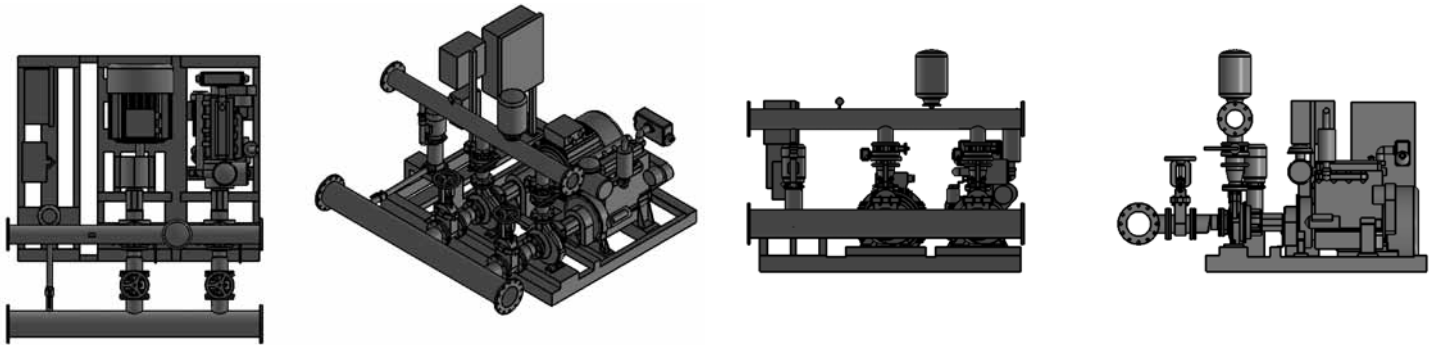


AUED - (1 ELECTRICAL FIRE PUMP + 1 DIESEL FIRE PUMP + JOCKEY PUMP SYSTEM)

Q m³/h	H mWC	System Type	Electrical Pump Type	kW	Diesel Pump Type	kW	Jockey Pump Type	kW	Diesel Engine Model	Suction Manifold	Discharge Manifold	Dimensions (mm)		
												A (width)	B (length)	C (height)
170	55	AUED 170/55	N 100-200/55	55,0	N 100-200	55,0	MULTI 35/6	2,0	mitsubishi - S4S-DT	DN125+DN125+1 1/2"	DN200	1900	1500	1680
170	60	AUED 170/60	N 100-250/55	55,0	N 100-250	55,0	MULTI 35/6	2,0	mitsubishi - S4S-DT	DN125+DN125+1 1/2"	DN200	2100	1600	1680
170	65	AUED 170/65	N 100-250/55	55,0	N 100-250	55,0	MULTI 35/6	2,0	mitsubishi - S4S-DT	DN125+DN125+1 1/2"	DN200	2100	1600	1680
170	70	AUED 170/70	N 100-250/75	75,0	N 100-250	73,0	MULTI 35/8	3,0	IVECO - N45MNF	DN125+DN125+1 1/2"	DN200	2200	1700	1700
170	75	AUED 170/75	N 100-250/75	75,0	N 100-250	73,0	MULTI 35/8	3,0	IVECO - N45MNF	DN125+DN125+1 1/2"	DN200	2200	1700	1700
170	80	AUED 170/80	N 100-250/75	75,0	N 100-250	73,0	MULTI 35/8	3,0	IVECO - N45MNF	DN125+DN125+1 1/2"	DN200	2200	1700	1700
170	85	AUED 170/85	N 100-250/75	75,0	N 100-250	73,0	MULTI 35/8	3,0	IVECO - N45MNF	DN125+DN125+1 1/2"	DN200	2200	1700	1700
170	90	AUED 170/90	N 80-250/75	75,0	N 80-250	73,0	MULTI 35/10	4,0	IVECO - N45MNF	DN100+DN100+1 1/2"	DN150	2200	1650	1620
170	95	AUED 170/95	N 80-250/75	75,0	N 80-250	73,0	MULTI 35/10	4,0	IVECO - N45MNF	DN100+DN100+1 1/2"	DN150	2200	1650	1620
170	100	AUED 170/100	N 80-250/90	90,0	N 80-250	109,0	MULTI 35/10	4,0	IVECO - N45MNSF	DN100+DN100+1 1/2"	DN150	2200	1650	1620
170	105	AUED 170/105	N 80-315/90	90,0	N 80-315	109,0	MULTI 35/10	4,0	IVECO - N45MNSF	DN100+DN100+1 1/2"	DN150	2200	1700	1690
170	110	AUED 170/110	N 80-315/90	90,0	N 80-315	109,0	MULTI 35/10	4,0	IVECO - N45MNSF	DN100+DN100+1 1/2"	DN150	2200	1700	1690
170	115	AUED 170/115	N 80-315/90	90,0	N 80-315	109,0	MULTI 35/10	4,0	IVECO - N45MNSF	DN100+DN100+1 1/2"	DN150	2200	1700	1690
170	120	AUED 170/120	N 80-315/110	110,0	N 80-315	109,0	MULTI 35/10	4,0	IVECO - N45MNSF	DN100+DN100+1 1/2"	DN150	2600	1900	1750

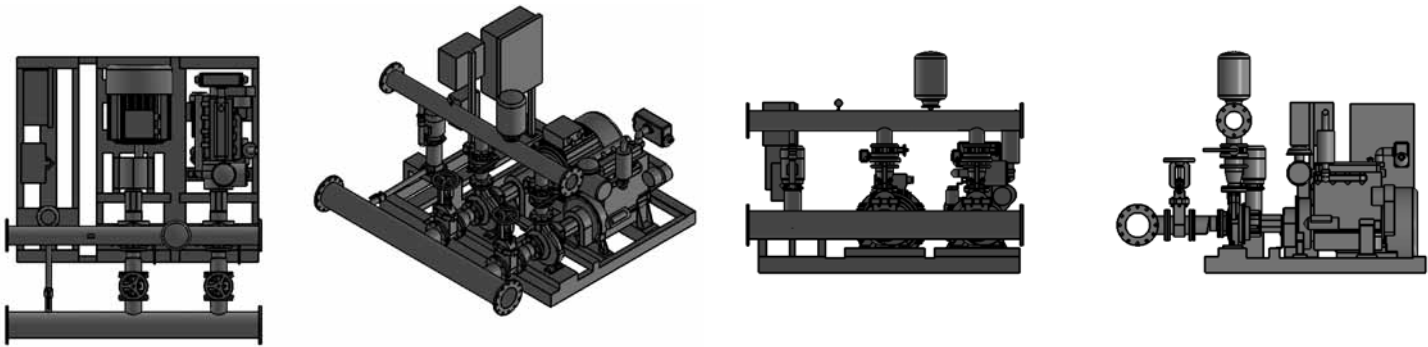
180	45	AUED 180/45	N 100-200/45	45,0	N 100-200	45,0	MULTI 35/6	2,0	mitsubishi - S4S	DN125+DN125+1 1/2"	DN200	1600	1500	1650
180	50	AUED 180/50	N 100-200/45	45,0	N 100-200	45,0	MULTI 35/6	2,0	mitsubishi - S4S	DN125+DN125+1 1/2"	DN200	1650	1500	1650
180	55	AUED 180/55	N 100-250/55	55,0	N 100-250	55,0	MULTI 35/6	2,0	mitsubishi - S4S-DT	DN125+DN125+1 1/2"	DN200	2100	1600	1680
180	60	AUED 180/60	N 100-250/55	55,0	N 100-250	55,0	MULTI 35/6	2,0	mitsubishi - S4S-DT	DN125+DN125+1 1/2"	DN150	2100	1600	1680
180	65	AUED 180/65	N 100-250/55	55,0	N 100-250	55,0	MULTI 35/6	2,0	mitsubishi - S4S-DT	DN125+DN125+1 1/2"	DN200	2100	1600	1680
180	70	AUED 180/70	N 100-250/75	75,0	N 100-250	73,0	MULTI 35/8	3,0	IVECO - N45MNF	DN125+DN125+1 1/2"	DN200	2200	1700	1700
180	75	AUED 180/75	N 100-250/75	75,0	N 100-250	73,0	MULTI 35/8	3,0	IVECO - N45MNF	DN125+DN125+1 1/2"	DN200	2200	1700	1700
180	80	AUED 180/80	N 100-250/75	75,0	N 100-250	73,0	MULTI 35/8	3,0	IVECO - N45MNF	DN125+DN125+1 1/2"	DN200	2200	1700	1700
180	85	AUED 180/85	N 100-250/75	75,0	N 100-250	73,0	MULTI 35/8	3,0	IVECO - N45MNF	DN125+DN125+1 1/2"	DN200	2200	1700	1700
180	90	AUED 180/90	N 100-250/90	90,0	N 100-250	109,0	MULTI 35/10	4,0	IVECO - N45MNSF	DN125+DN125+1 1/2"	DN200	2200	1700	1800
180	95	AUED 180/95	N 100-250/90	90,0	N 100-250	109,0	MULTI 35/10	4,0	IVECO - N45MNSF	DN125+DN125+1 1/2"	DN200	2200	1700	1800
180	100	AUED 180/100	N 80-315/90	90,0	N 80-315	109,0	MULTI 35/10	4,0	IVECO - N45MNSF	DN100+DN100+1 1/2"	DN150	2200	1700	1690
180	105	AUED 180/105	N 80-315/90	90,0	N 80-315	109,0	MULTI 35/10	4,0	IVECO - N45MNSF	DN100+DN100+1 1/2"	DN150	2200	1700	1690
180	110	AUED 180/110	N 80-315/90	90,0	N 80-315	109,0	MULTI 35/10	4,0	IVECO - N45MNSF	DN100+DN100+1 1/2"	DN150	2200	1700	1690
180	115	AUED 180/115	N 80-315/110	110,0	N 80-315	109,0	MULTI 35/10	4,0	IVECO - N45MNSF	DN100+DN100+1 1/2"	DN150	2600	1900	1750
180	120	AUED 180/120	N 80-315/110	110,0	N 80-315	109,0	MULTI 35/10	4,0	IVECO - N45MNSF	DN100+DN100+1 1/2"	DN150	2600	1900	1750

190	55	AUED 190/55	N 100-200/55	55,0	N 100-200	55,0	MULTI 35/6	2,0	mitsubishi - S4S-DT	DN125+DN125+1 1/2"	DN200	2100	1600	1680
190	60	AUED 190/60	N 100-200/55	55,0	N 100-200	55,0	MULTI 35/6	2,0	mitsubishi - S4S-DT	DN125+DN125+1 1/2"	DN200	2100	1600	1680
190	65	AUED 190/65	N 100-250/55	55,0	N 100-250	55,0	MULTI 35/6	2,0	mitsubishi - S4S-DT	DN125+DN125+1 1/2"	DN200	2100	1600	1680
190	70	AUED 190/70	N 100-250/75	75,0	N 100-250	73,0	MULTI 35/8	3,0	IVECO - N45MNF	DN125+DN125+1 1/2"	DN200	2200	1700	1700
190	75	AUED 190/75	N 100-250/75	75,0	N 100-250	73,0	MULTI 35/8	3,0	IVECO - N45MNF	DN125+DN125+1 1/2"	DN200	2200	1700	1700
190	80	AUED 190/80	N 100-250/75	75,0	N 100-250	73,0	MULTI 35/8	3,0	IVECO - N45MNF	DN125+DN125+1 1/2"	DN200	2200	1700	1700
190	85	AUED 190/85	N 100-250/90	90,0	N 100-250	109,0	MULTI 35/8	3,0	IVECO - N45MNSF	DN125+DN125+1 1/2"	DN200	2200	1700	1800
190	90	AUED 190/90	N 100-250/90	90,0	N 100-250	109,0	MULTI 35/10	4,0	IVECO - N45MNSF	DN125+DN125+1 1/2"	DN200	2200	1700	1800
190	95	AUED 190/95	N 100-250/110	110,0	N 100-250	109,0	MULTI 35/10	4,0	IVECO - N45MNSF	DN125+DN125+1 1/2"	DN200	2600	1900	1770
190	100	AUED 190/100	N 80-315/90	90,0	N 80-315	109,0	MULTI 35/10	4,0	IVECO - N45MNSF	DN100+DN100+1 1/2"	DN150	2200	1700	1690
190	105	AUED 190/105	N 80-315/90	90,0	N 80-315	109,0	MULTI 35/10	4,0	IVECO - N45MNSF	DN100+DN100+1 1/2"	DN150	2200	1700	1690
190	110	AUED 190/110	N 80-315/110	110,0	N 80-315	109,0	MULTI 35/10	4,0	IVECO - N45MNSF	DN100+DN100+1 1/2"	DN150	2600	1900	1750
190	115	AUED 190/115	N 80-315/110	110,0	N 80-315	109,0	MULTI 35/10	4,0	IVECO - N45MNSF	DN100+DN100+1 1/2"	DN150	2600	1900	1750
190	120	AUED 190/120	N 80-315/110	110,0	N 80-315	109,0	MULTI 35/10	4,0	IVECO - N45MNSF	DN100+DN100+1 1/2"	DN150	2600	1900	1750



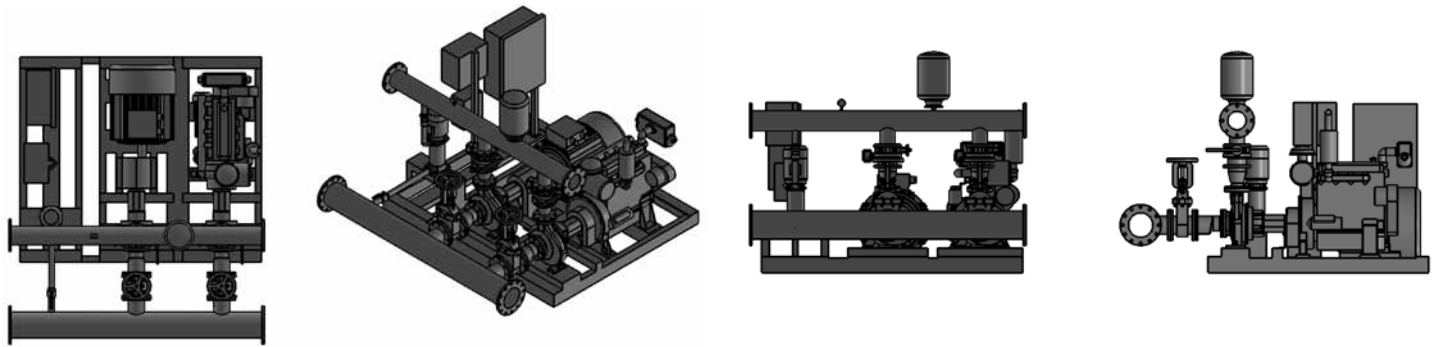
AUED - (1 ELECTRICAL FIRE PUMP + 1 DIESEL FIRE PUMP + JOCKEY PUMP SYSTEM)

Q m³/h	H mWC	System Type	Electrical Pump Type	kW	Diesel Pump Type	kW	Jockey Pump Type	kW	Diesel Engine Model	Suction Manifold	Discharge Manifold	Dimensions (mm)		
												A (width)	B (length)	C (height)
200	55	AUED 200/55	N 100-200/55	55,0	N 100-200	55,0	MULTI 35/6	2,0	mitsubishi - S4S-DT	DN125+DN125+1 1/2"	DN200	2100	1600	1680
200	60	AUED 200/60	N 100-200/55	55,0	N 100-200	55,0	MULTI 35/6	2,0	mitsubishi - S4S-DT	DN125+DN125+1 1/2"	DN200	2100	1600	1680
200	65	AUED 200/65	N 100-250/75	75,0	N 100-250	73,0	MULTI 35/6	2,0	IVECO - N45MNF	DN125+DN125+1 1/2"	DN200	2200	1700	1700
200	70	AUED 200/70	N 100-250/75	75,0	N 100-250	73,0	MULTI 35/8	3,0	IVECO - N45MNF	DN125+DN125+1 1/2"	DN200	2200	1700	1700
200	75	AUED 200/75	N 100-250/75	75,0	N 100-250	73,0	MULTI 35/8	3,0	IVECO - N45MNF	DN125+DN125+1 1/2"	DN200	2200	1700	1700
200	80	AUED 200/80	N 100-250/90	90,0	N 100-250	109,0	MULTI 35/8	3,0	IVECO - N45MNSF	DN125+DN125+1 1/2"	DN200	2200	1700	1800
200	85	AUED 200/85	N 100-250/90	90,0	N 100-250	109,0	MULTI 35/8	3,0	IVECO - N45MNSF	DN125+DN125+1 1/2"	DN200	2200	1700	1800
200	90	AUED 200/90	N 100-250/90	90,0	N 100-250	109,0	MULTI 35/10	4,0	IVECO - N45MNSF	DN125+DN125+1 1/2"	DN200	2200	1700	1800
200	95	AUED 200/95	N 100-250/110	110,0	N 100-250	109,0	MULTI 35/10	4,0	IVECO - N45MNSF	DN125+DN125+1 1/2"	DN200	2600	1900	1750
200	100	AUED 200/100	N 100-250/110	110,0	N 100-250	109,0	MULTI 35/10	4,0	IVECO - N45MNSF	DN125+DN125+1 1/2"	DN200	2600	1900	1750
200	105	AUED 200/105	N 80-315/110	110,0	N 80-315	109,0	MULTI 35/10	4,0	IVECO - N45MNSF	DN100+DN100+1 1/2"	DN150	2600	1900	1750
200	110	AUED 200/110	N 80-315/110	110,0	N 80-315	109,0	MULTI 35/10	4,0	IVECO - N45MNSF	DN100+DN100+1 1/2"	DN150	2600	1900	1750
200	115	AUED 200/115	N 80-315/110	110,0	N 80-315	109,0	MULTI 35/10	4,0	IVECO - N45MNSF	DN100+DN100+1 1/2"	DN150	2600	1900	1750
200	120	AUED 200/120	N 80-315/110	110,0	N 80-315	109,0	MULTI 35/10	4,0	IVECO - N45MNSF	DN100+DN100+1 1/2"	DN150	2600	1900	1750
210	45	AUED 210/45	N 100-200/45	45,0	N 100-200	45,0	MULTI 35/6	2,0	mitsubishi - S4S	DN125+DN125+1 1/2"	DN200	1650	1500	1650
210	50	AUED 210/50	N 100-200/55	55,0	N 100-200	55,0	MULTI 35/6	2,0	mitsubishi - S4S-DT	DN125+DN125+1 1/2"	DN200	2100	1600	1680
210	55	AUED 210/55	N 100-200/55	55,0	N 100-200	55,0	MULTI 35/6	2,0	mitsubishi - S4S-DT	DN125+DN125+1 1/2"	DN200	2100	1600	1680
210	60	AUED 210/60	N 100-250/75	75,0	N 100-250	73,0	MULTI 35/6	2,0	IVECO - N45MNF	DN125+DN125+1 1/2"	DN200	2100	1600	1680
210	65	AUED 210/65	N 100-250/75	75,0	N 100-250	73,0	MULTI 35/6	2,0	IVECO - N45MNF	DN125+DN125+1 1/2"	DN200	2200	1700	1700
210	70	AUED 210/70	N 100-250/75	75,0	N 100-250	73,0	MULTI 35/8	3,0	IVECO - N45MNF	DN125+DN125+1 1/2"	DN200	2200	1700	1700
210	75	AUED 210/75	N 100-250/75	75,0	N 100-250	73,0	MULTI 35/8	3,0	IVECO - N45MNF	DN125+DN125+1 1/2"	DN200	2200	1700	1700
210	80	AUED 210/80	N 100-250/90	90,0	N 100-250	109,0	MULTI 35/8	3,0	IVECO - N45MNSF	DN125+DN125+1 1/2"	DN200	2200	1700	1800
210	85	AUED 210/85	N 100-250/90	90,0	N 100-250	109,0	MULTI 35/8	3,0	IVECO - N45MNSF	DN125+DN125+1 1/2"	DN200	2200	1700	1800
210	90	AUED 210/90	N 100-250/90	90,0	N 100-250	109,0	MULTI 35/10	4,0	IVECO - N45MNSF	DN125+DN125+1 1/2"	DN200	2200	1700	1800
210	95	AUED 210/95	N 100-250/110	110,0	N 100-250	109,0	MULTI 35/10	4,0	IVECO - N45MNSF	DN125+DN125+1 1/2"	DN200	2600	1900	1750
210	100	AUED 210/100	N 100-250/110	110,0	N 100-250	109,0	MULTI 35/10	4,0	IVECO - N45MNSF	DN125+DN125+1 1/2"	DN200	2600	1900	1750
210	105	AUED 210/105	N 100-315/110	110,0	N 100-315	109,0	MULTI 35/10	4,0	IVECO - N45MNSF	DN125+DN125+1 1/2"	DN200	2600	1900	1750
210	110	AUED 210/110	N 100-315/110	110,0	N 100-315	109,0	MULTI 35/10	4,0	IVECO - N45MNSF	DN125+DN125+1 1/2"	DN200	2600	1900	1750
210	115	AUED 210/115	N 100-315/110	110,0	N 100-315	109,0	MULTI 35/10	4,0	IVECO - N45MNSF	DN125+DN125+1 1/2"	DN200	2600	1900	1750
210	120	AUED 210/120	N 100-315/132	132,0	N 100-315	145,0	MULTI 35/10	4,0	IVECO - N45MNTF	DN125+DN125+1 1/2"	DN200	2600	1900	1750
220	55	AUED 220/55	N 100-200/55	55,0	N 100-200	55,0	MULTI 35/6	2,0	mitsubishi - S4S-DT	DN125+DN125+1 1/2"	DN200	2100	1600	1680
220	60	AUED 220/60	N 100-250/75	75,0	N 100-250	73,0	MULTI 35/6	2,0	mitsubishi - S4S-DT	DN125+DN125+1 1/2"	DN200	2200	1700	1700
220	65	AUED 220/65	N 100-250/75	75,0	N 100-250	73,0	MULTI 35/6	2,0	IVECO - N45MNF	DN125+DN125+1 1/2"	DN200	2200	1700	1700
220	70	AUED 220/70	N 100-250/75	75,0	N 100-250	73,0	MULTI 35/8	3,0	IVECO - N45MNF	DN125+DN125+1 1/2"	DN200	2200	1700	1700
220	75	AUED 220/75	N 100-250/75	75,0	N 100-250	73,0	MULTI 35/8	3,0	IVECO - N45MNF	DN125+DN125+1 1/2"	DN200	2200	1700	1700
220	80	AUED 220/80	N 100-250/90	90,0	N 100-250	109,0	MULTI 35/8	3,0	IVECO - N45MNF	DN125+DN125+1 1/2"	DN200	2200	1700	1800
220	85	AUED 220/85	N 100-250/90	90,0	N 100-250	109,0	MULTI 35/8	3,0	IVECO - N45MNF	DN125+DN125+1 1/2"	DN200	2200	1700	1800
220	90	AUED 220/90	N 100-250/110	110,0	N 100-250	109,0	MULTI 35/10	4,0	IVECO - N45MNSF	DN125+DN125+1 1/2"	DN200	2600	1900	1750
220	95	AUED 220/95	N 100-250/110	110,0	N 100-250	109,0	MULTI 35/10	4,0	IVECO - N45MNSF	DN125+DN125+1 1/2"	DN200	2600	1900	1750
220	100	AUED 220/100	N 100-250/110	110,0	N 100-250	109,0	MULTI 35/10	4,0	IVECO - N45MNSF	DN125+DN125+1 1/2"	DN200	2600	1900	1750
220	105	AUED 220/105	N 100-315/110	110,0	N 100-315	109,0	MULTI 35/10	4,0	IVECO - N45MNSF	DN125+DN125+1 1/2"	DN200	2600	1900	1850
220	110	AUED 220/110	N 100-315/110	110,0	N 100-315	109,0	MULTI 35/10	4,0	IVECO - N45MNSF	DN125+DN125+1 1/2"	DN200	2600	1900	1850
220	115	AUED 220/115	N 100-315/132	132,0	N 100-315	145,0	MULTI 35/10	4,0	IVECO - N45MNTF	DN125+DN125+1 1/2"	DN200	2600	1900	1850
220	120	AUED 220/120	N 100-315/132	132,0	N 100-315	145,0	MULTI 35/10	4,0	IVECO - N45MNTF	DN125+DN125+1 1/2"	DN200	2600	1900	1850



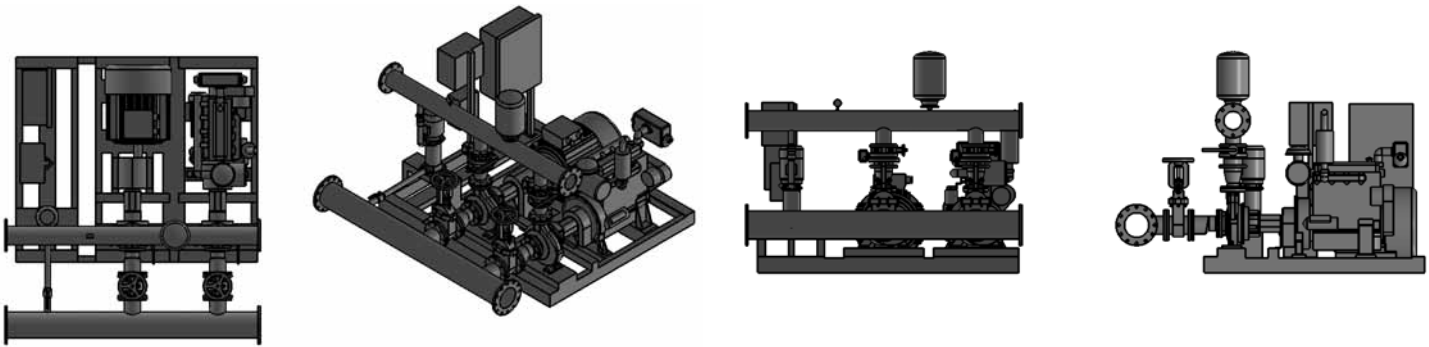
AUED - (1 ELECTRICAL FIRE PUMP + 1 DIESEL FIRE PUMP + JOCKEY PUMP SYSTEM)

Q m³/h	H mWC	System Type	Electrical Pump Type	kW	Diesel Pump Type	kW	Jockey Pump Type	kW	Diesel Engine Model	Suction Manifold	Discharge Manifold	Dimensions (mm)		
												A (width)	B (length)	C (height)
230	55	AUED 230/55	N 100-200/55	55,0	N 100-200	55,0	MULTI 35/6	2,0	mitsubishi - S4S-DT	DN125+DN125+1 1/2"	DN200	2100	1600	1680
230	60	AUED 230/60	N 100-250/75	75,0	N 100-250	73,0	MULTI 35/6	2,0	IVECO - N45MNF	DN125+DN125+1 1/2"	DN200	2200	1700	1700
230	65	AUED 230/65	N 100-250/75	75,0	N 100-250	73,0	MULTI 35/6	2,0	IVECO - N45MNF	DN125+DN125+1 1/2"	DN200	2200	1700	1700
230	70	AUED 230/70	N 100-250/75	75,0	N 100-250	73,0	MULTI 35/8	3,0	IVECO - N45MNF	DN125+DN125+1 1/2"	DN200	2200	1700	1700
230	75	AUED 230/75	N 100-250/90	90,0	N 100-250	109,0	MULTI 35/8	3,0	IVECO - N45MNSF	DN125+DN125+1 1/2"	DN200	2200	1700	1800
230	80	AUED 230/80	N 100-250/90	90,0	N 100-250	109,0	MULTI 35/8	3,0	IVECO - N45MNSF	DN125+DN125+1 1/2"	DN200	2200	1700	1800
230	85	AUED 230/85	N 100-250/90	90,0	N 100-250	109,0	MULTI 35/8	3,0	IVECO - N45MNSF	DN125+DN125+1 1/2"	DN200	2200	1700	1800
230	90	AUED 230/90	N 100-250/110	110,0	N 100-250	109,0	MULTI 35/10	4,0	IVECO - N45MNSF	DN125+DN125+1 1/2"	DN200	2600	1900	1750
230	95	AUED 230/95	N 100-250/110	110,0	N 100-250	109,0	MULTI 35/10	4,0	IVECO - N45MNSF	DN125+DN125+1 1/2"	DN200	2600	1900	1750
230	100	AUED 230/100	N 100-250/110	110,0	N 100-250	109,0	MULTI 35/10	4,0	IVECO - N45MNSF	DN125+DN125+1 1/2"	DN200	2600	1900	1750
230	105	AUED 230/105	N 100-315/110	110,0	N 100-315	109,0	MULTI 35/10	4,0	IVECO - N45MNSF	DN125+DN125+1 1/2"	DN200	2600	1900	1850
230	110	AUED 230/110	N 100-315/132	132,0	N 100-315	145,0	MULTI 35/10	4,0	IVECO - N45MNTF	DN125+DN125+1 1/2"	DN200	2600	1900	1850
230	115	AUED 230/115	N 100-315/132	132,0	N 100-315	145,0	MULTI 35/10	4,0	IVECO - N45MNTF	DN125+DN125+1 1/2"	DN200	2600	1900	1850
230	120	AUED 230/120	N 100-315/132	132,0	N 100-315	145,0	MULTI 35/10	4,0	IVECO - N45MNTF	DN125+DN125+1 1/2"	DN200	2600	1900	1850
240	45	AUED 240/45	N 100-200/55	55,0	N 100-200	55,0	MULTI 35/6	2,0	mitsubishi - S4S-DT	DN125+DN125+1 1/2"	DN200	2100	1600	1680
240	50	AUED 240/50	N 100-200/55	55,0	N 100-200	55,0	MULTI 35/6	2,0	mitsubishi - S4S-DT	DN125+DN125+1 1/2"	DN200	2100	1600	1680
240	55	AUED 240/55	N 100-200/75	75,0	N 100-200	73,0	MULTI 35/6	2,0	IVECO - N45MNF	DN125+DN125+1 1/2"	DN200	2200	1700	1700
240	60	AUED 240/60	N 100-250/75	75,0	N 100-250	73,0	MULTI 35/6	2,0	IVECO - N45MNF	DN125+DN125+1 1/2"	DN200	2200	1700	1700
240	65	AUED 240/65	N 100-250/75	75,0	N 100-250	73,0	MULTI 35/6	2,0	IVECO - N45MNF	DN125+DN125+1 1/2"	DN200	2200	1700	1700
240	70	AUED 240/70	N 100-250/75	75,0	N 100-250	73,0	MULTI 35/8	3,0	IVECO - N45MNF	DN125+DN125+1 1/2"	DN200	2200	1700	1700
240	75	AUED 240/75	N 100-250/90	90,0	N 100-250	109,0	MULTI 35/8	3,0	IVECO - N45MNSF	DN125+DN125+1 1/2"	DN200	2200	1700	1800
240	80	AUED 240/80	N 100-250/90	90,0	N 100-250	109,0	MULTI 35/8	3,0	IVECO - N45MNSF	DN125+DN125+1 1/2"	DN200	2200	1700	1800
240	85	AUED 240/85	N 100-250/90	90,0	N 100-250	109,0	MULTI 35/8	3,0	IVECO - N45MNSF	DN125+DN125+1 1/2"	DN200	2200	1700	1800
240	90	AUED 240/90	N 100-250/110	110,0	N 100-250	109,0	MULTI 35/10	4,0	IVECO - N45MNSF	DN125+DN125+1 1/2"	DN200	2600	1900	1750
240	95	AUED 240/95	N 100-250/110	110,0	N 100-250	109,0	MULTI 35/10	4,0	IVECO - N45MNSF	DN125+DN125+1 1/2"	DN200	2600	1900	1750
240	100	AUED 240/100	N 100-250/110	110,0	N 100-250	109,0	MULTI 35/10	4,0	IVECO - N45MNSF	DN125+DN125+1 1/2"	DN200	2600	1900	1750
240	105	AUED 240/105	N 100-315/110	110,0	N 100-315	109,0	MULTI 35/10	4,0	IVECO - N45MNSF	DN125+DN125+1 1/2"	DN200	2600	1900	1850
240	110	AUED 240/110	N 100-315/132	132,0	N 100-315	145,0	MULTI 35/10	4,0	IVECO - N45MNTF	DN125+DN125+1 1/2"	DN200	2600	1900	1850
240	115	AUED 240/115	N 100-315/132	132,0	N 100-315	145,0	MULTI 35/10	4,0	IVECO - N45MNTF	DN125+DN125+1 1/2"	DN200	2600	1900	1850
240	120	AUED 240/120	N 100-315/132	132,0	N 100-315	145,0	MULTI 35/10	4,0	IVECO - N45MNTF	DN125+DN125+1 1/2"	DN200	2600	1900	1850
250	55	AUED 250/55	N 100-200/75	75,0	N 100-200	73,0	MULTI 35/6	2,0	IVECO - N45MNF	DN125+DN125+1 1/2"	DN200	2200	1700	1700
250	60	AUED 250/60	N 100-250/75	75,0	N 100-250	73,0	MULTI 35/6	2,0	IVECO - N45MNF	DN125+DN125+1 1/2"	DN200	2200	1700	1700
250	65	AUED 250/65	N 100-250/75	75,0	N 100-250	73,0	MULTI 35/6	2,0	IVECO - N45MNF	DN125+DN125+1 1/2"	DN200	2200	1700	1700
250	70	AUED 250/70	N 100-250/75	75,0	N 100-250	73,0	MULTI 35/8	3,0	IVECO - N45MNF	DN125+DN125+1 1/2"	DN200	2200	1700	1700
250	75	AUED 250/75	N 100-250/90	90,0	N 100-250	109,0	MULTI 35/8	3,0	IVECO - N45MNSF	DN125+DN125+1 1/2"	DN200	2200	1700	1800
250	80	AUED 250/80	N 100-250/90	90,0	N 100-250	109,0	MULTI 35/8	3,0	IVECO - N45MNSF	DN125+DN125+1 1/2"	DN200	2200	1700	1800
250	85	AUED 250/85	N 100-250/110	110,0	N 100-250	109,0	MULTI 35/8	3,0	IVECO - N45MNSF	DN125+DN125+1 1/2"	DN200	2600	1900	1750
250	90	AUED 250/90	N 100-250/110	110,0	N 100-250	109,0	MULTI 35/10	4,0	IVECO - N45MNSF	DN125+DN125+1 1/2"	DN200	2600	1900	1750
250	95	AUED 250/95	N 100-250/110	110,0	N 100-250	109,0	MULTI 35/10	4,0	IVECO - N45MNSF	DN125+DN125+1 1/2"	DN200	2600	1900	1750
250	100	AUED 250/100	N 100-250/110	110,0	N 100-250	109,0	MULTI 35/10	4,0	IVECO - N45MNSF	DN125+DN125+1 1/2"	DN200	2600	1900	1750
250	105	AUED 250/105	N 125-315/132	132,0	N 125-315	145,0	MULTI 35/10	4,0	IVECO - N45MNTF	DN150+DN150+1 1/2"	DN250	2600	2000	1980
250	110	AUED 250/110	N 125-315/132	132,0	N 125-315	145,0	MULTI 35/10	4,0	IVECO - N45MNTF	DN150+DN150+1 1/2"	DN250	2600	2000	1980
250	115	AUED 250/115	N 125-315/132	132,0	N 125-315	145,0	MULTI 35/10	4,0	IVECO - N45MNTF	DN150+DN150+1 1/2"	DN250	2600	2000	1980
250	120	AUED 250/120	N 125-315/132	132,0	N 125-315	145,0	MULTI 35/10	4,0	IVECO - N45MNTF	DN150+DN150+1 1/2"	DN250	2600	2000	1980

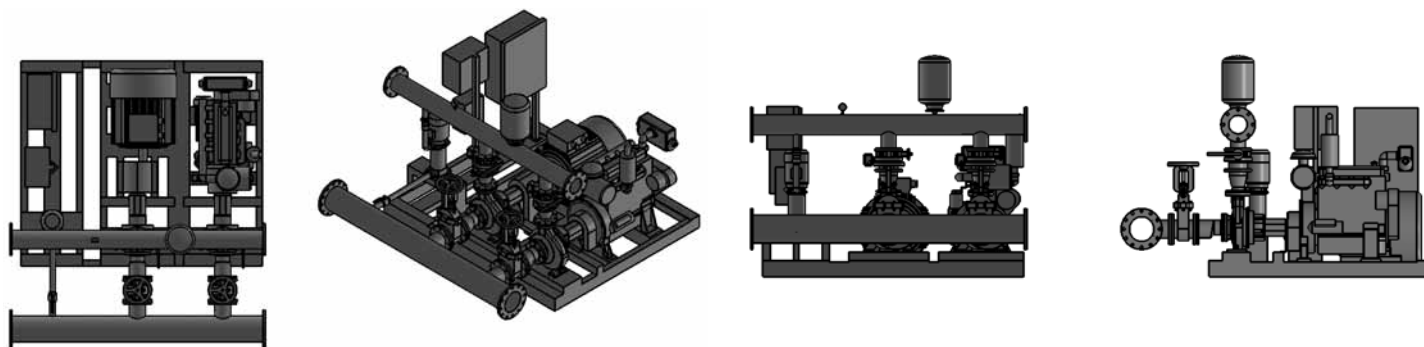


AUED - (1 ELECTRICAL FIRE PUMP + 1 DIESEL FIRE PUMP + JOCKEY PUMP SYSTEM)

Q m³/h	H mWC	System Type	Electrical Pump Type	kW	Diesel Pump Type	kW	Jockey Pump Type	kW	Diesel Engine Model	Suction Manifold	Discharge Manifold	Dimensions (mm)		
												A (width)	B (length)	C (height)
260	55	AUED 260/55	N 125-200/75	75,0	N 125-200	73,0	MULTI 35/6	2,0	IVECO - N45MNF	DN150+DN150+1 1/2"	DN250	2200	1700	1900
260	60	AUED 260/60	N 125-200/75	75,0	N 125-200	73,0	MULTI 35/6	2,0	IVECO - N45MNF	DN150+DN150+1 1/2"	DN250	2200	1700	1900
260	65	AUED 260/65	N 100-250/75	75,0	N 100-250	73,0	MULTI 35/6	2,0	IVECO - N45MNF	DN125+DN125+1 1/2"	DN200	2200	1700	1700
260	70	AUED 260/70	N 100-250/90	90,0	N 100-250	109,0	MULTI 35/8	3,0	IVECO - N45MNSF	DN125+DN125+1 1/2"	DN200	2200	1700	1700
260	75	AUED 260/75	N 100-250/90	90,0	N 100-250	109,0	MULTI 35/8	3,0	IVECO - N45MNSF	DN125+DN125+1 1/2"	DN200	2200	1700	1700
260	80	AUED 260/80	N 100-250/90	90,0	N 100-250	109,0	MULTI 35/8	3,0	IVECO - N45MNSF	DN125+DN125+1 1/2"	DN200	2200	1700	1700
260	85	AUED 260/85	N 100-250/110	110,0	N 100-250	109,0	MULTI 35/8	3,0	IVECO - N45MNSF	DN125+DN125+1 1/2"	DN200	2200	1700	1700
260	90	AUED 260/90	N 100-250/110	110,0	N 100-250	109,0	MULTI 35/10	4,0	IVECO - N45MNSF	DN125+DN125+1 1/2"	DN200	2200	1700	1700
260	95	AUED 260/95	N 100-250/110	110,0	N 100-250	109,0	MULTI 35/10	4,0	IVECO - N45MNSF	DN125+DN125+1 1/2"	DN200	2200	1700	1700
260	100	AUED 260/100	N 125-315/132	132,0	N 125-315	145,0	MULTI 35/10	4,0	IVECO - N45MNTF	DN150+DN150+1 1/2"	DN250	2600	2000	1980
260	105	AUED 260/105	N 125-315/132	132,0	N 125-315	145,0	MULTI 35/10	4,0	IVECO - N45MNTF	DN150+DN150+1 1/2"	DN250	2600	2000	1980
260	110	AUED 260/110	N 125-315/132	132,0	N 125-315	145,0	MULTI 35/10	4,0	IVECO - N45MNTF	DN150+DN150+1 1/2"	DN250	2600	2000	1980
260	115	AUED 260/115	N 125-315/132	132,0	N 125-315	145,0	MULTI 35/10	4,0	IVECO - N45MNTF	DN150+DN150+1 1/2"	DN250	2600	2000	1980
260	120	AUED 260/120	N 125-315/160	160,0	N 125-315	145,0	MULTI 35/10	4,0	IVECO - N45MNTF	DN150+DN150+1 1/2"	DN250	2600	2000	1980
280	45	AUED 280/45	N 125-200/55	55,0	N 125-200	55,0	MULTI 35/6	2,0	mitsubishi - S4S-DT	DN150+DN150+1 1/2"	DN250	2200	1700	1900
280	50	AUED 280/50	N 125-200/75	75,0	N 125-200	73,0	MULTI 35/6	2,0	IVECO - N45MNF	DN150+DN150+1 1/2"	DN250	2200	1700	1900
280	55	AUED 280/55	N 125-200/75	75,0	N 125-200	73,0	MULTI 35/6	2,0	IVECO - N45MNF	DN150+DN150+1 1/2"	DN250	2200	1700	1900
280	60	AUED 280/60	N 125-200/75	75,0	N 125-200	73,0	MULTI 35/6	2,0	IVECO - N45MNF	DN150+DN150+1 1/2"	DN250	2200	1700	1900
280	65	AUED 280/65	N 125-250/90	90,0	N 125-250	109,0	MULTI 35/6	2,0	IVECO - N45MNSF	DN150+DN150+1 1/2"	DN250	2200	1700	1700
280	70	AUED 280/70	N 100-250/90	90,0	N 100-250	109,0	MULTI 35/8	3,0	IVECO - N45MNSF	DN125+DN125+1 1/2"	DN200	2600	1700	1700
280	75	AUED 280/75	N 100-250/90	90,0	N 100-250	109,0	MULTI 35/8	3,0	IVECO - N45MNSF	DN125+DN125+1 1/2"	DN200	2600	1700	1700
280	80	AUED 280/80	N 100-250/110	110,0	N 100-250	109,0	MULTI 35/8	3,0	IVECO - N45MNSF	DN125+DN125+1 1/2"	DN200	2600	1700	1700
280	85	AUED 280/85	N 100-250/110	110,0	N 100-250	109,0	MULTI 35/8	3,0	IVECO - N45MNSF	DN125+DN125+1 1/2"	DN200	2600	1700	1700
280	90	AUED 280/90	N 100-250/110	110,0	N 100-250	109,0	MULTI 35/10	4,0	IVECO - N45MNSF	DN125+DN125+1 1/2"	DN200	2600	1700	1700
280	95	AUED 280/95	N 100-250/132	132,0	N 100-250	145,0	MULTI 35/10	4,0	IVECO - N45MNTF	DN125+DN125+1 1/2"	DN200	2600	1700	1700
280	100	AUED 280/100	N 125-315/132	132,0	N 125-315	145,0	MULTI 35/10	4,0	IVECO - N45MNTF	DN150+DN150+1 1/2"	DN250	2600	2000	1980
280	105	AUED 280/105	N 125-315/132	132,0	N 125-315	145,0	MULTI 35/10	4,0	IVECO - N45MNTF	DN150+DN150+1 1/2"	DN250	2600	2000	1980
280	110	AUED 280/110	N 125-315/132	132,0	N 125-315	145,0	MULTI 35/10	4,0	IVECO - N45MNTF	DN150+DN150+1 1/2"	DN250	2600	2000	1980
280	115	AUED 280/115	N 125-315/160	160,0	N 125-315	145,0	MULTI 35/10	4,0	IVECO - N45MNTF	DN150+DN150+1 1/2"	DN250	2600	2000	1980
280	120	AUED 280/120	N 125-315/160	160,0	N 125-315	145,0	MULTI 35/10	4,0	IVECO - N45MNTF	DN150+DN150+1 1/2"	DN250	2600	2000	1980
300	65	AUED 300/65	N 125-250/90	90,0	N 125-250	109,0	MULTI 35/6	2,0	IVECO - N45MNSF	DN150+DN150+1 1/2"	DN250	2100	1700	1980
300	70	AUED 300/70	N 125-250/110	110,0	N 125-250	109,0	MULTI 35/8	3,0	IVECO - N45MNSF	DN150+DN150+1 1/2"	DN250	2600	1900	1980
300	75	AUED 300/75	N 125-250/110	110,0	N 125-250	109,0	MULTI 35/8	3,0	IVECO - N45MNSF	DN150+DN150+1 1/2"	DN250	2600	1900	1980
300	80	AUED 300/80	N 125-250/132	132,0	N 125-250	145,0	MULTI 35/8	3,0	IVECO - N45MNTF	DN150+DN150+1 1/2"	DN250	2600	2000	1980
300	85	AUED 300/85	N 125-250/132	132,0	N 125-250	145,0	MULTI 35/8	3,0	IVECO - N45MNTF	DN150+DN150+1 1/2"	DN250	2600	2000	1980
300	90	AUED 300/90	N 125-250/160	160,0	N 125-250	145,0	MULTI 35/10	4,0	IVECO - N45MNTF	DN150+DN150+1 1/2"	DN250	2600	2000	1980
300	95	AUED 300/95	N 125-250/160	160,0	N 125-250	145,0	MULTI 35/10	4,0	IVECO - N45MNTF	DN150+DN150+1 1/2"	DN250	2600	2000	1980
300	100	AUED 300/100	N 125-315/132	132,0	N 125-315	145,0	MULTI 35/10	4,0	IVECO - N45MNTF	DN150+DN150+1 1/2"	DN250	2600	2000	1980
300	105	AUED 300/105	N 125-315/132	132,0	N 125-315	145,0	MULTI 35/10	4,0	IVECO - N45MNTF	DN150+DN150+1 1/2"	DN250	2600	2000	1980
300	110	AUED 300/110	N 125-315/132	132,0	N 125-315	145,0	MULTI 35/10	4,0	IVECO - N45MNTF	DN150+DN150+1 1/2"	DN250	2600	2000	1980
300	115	AUED 300/115	N 125-315/160	160,0	N 125-315	145,0	MULTI 35/10	4,0	IVECO - N45MNTF	DN150+DN150+1 1/2"	DN250	2600	2000	1980
300	120	AUED 300/120	N 125-315/160	160,0	N 125-315	145,0	MULTI 35/10	4,0	IVECO - N45MNTF	DN150+DN150+1 1/2"	DN250	2600	2000	1980

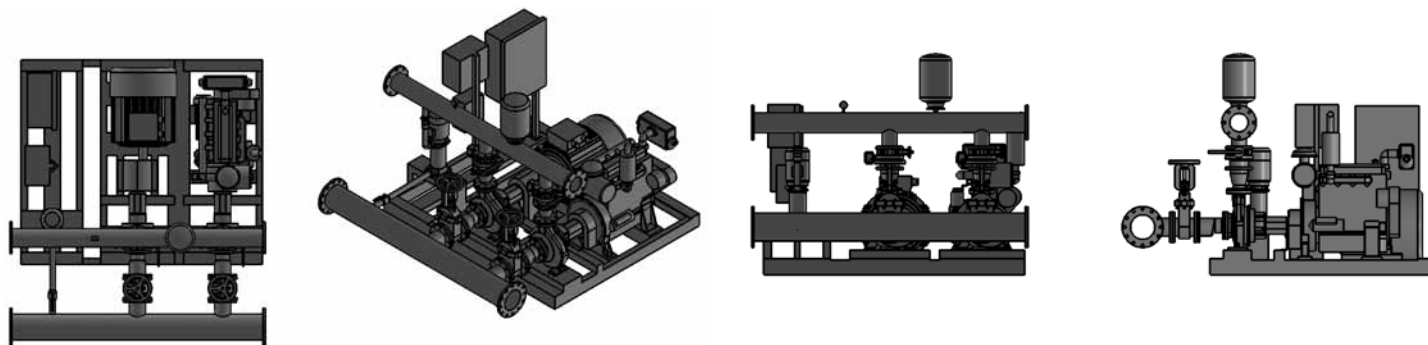


AUED - (1 ELECTRICAL FIRE PUMP + 1 DIESEL FIRE PUMP + JOCKEY PUMP SYSTEM)														
Q m³/h	H mWC	System Type	Electrical Pump Type	kW	Diesel Pump Type	kW	Jockey Pump Type	kW	Diesel Engine Model	Suction Manifold	Discharge Manifold	Dimensions (mm)		
												A (width)	B (length)	C (height)
320	65	AUED 320/65	N 125-250/110	110,0	N 125-250	109,0	MULTI 35/6	2,0	IVECO - N45MNSF	DN150+DN150+1 1/2"	DN250	2600	1900	1980
320	70	AUED 320/70	N 125-250/110	110,0	N 125-250	109,0	MULTI 35/8	3,0	IVECO - N45MNSF	DN150+DN150+1 1/2"	DN250	2600	1900	1980
320	75	AUED 320/75	N 125-250/110	110,0	N 125-250	109,0	MULTI 35/8	3,0	IVECO - N45MNSF	DN150+DN150+1 1/2"	DN250	2600	1900	1980
320	80	AUED 320/80	N 125-250/132	132,0	N 125-250	145,0	MULTI 35/8	3,0	IVECO - N45MNTF	DN150+DN150+1 1/2"	DN250	2600	2000	1980
320	85	AUED 320/85	N 125-250/132	132,0	N 125-250	145,0	MULTI 35/8	3,0	IVECO - N45MNTF	DN150+DN150+1 1/2"	DN250	2600	2000	1980
320	90	AUED 320/90	N 125-250/160	160,0	N 125-250	145,0	MULTI 35/10	4,0	IVECO - N45MNTF	DN150+DN150+1 1/2"	DN250	2600	2000	1980
320	95	AUED 320/95	N 125-250/160	160,0	N 125-250	145,0	MULTI 35/10	4,0	IVECO - N45MNTF	DN150+DN150+1 1/2"	DN250	2600	2000	1980
320	100	AUED 320/100	N 125-315/132	132,0	N 125-315	145,0	MULTI 35/10	4,0	IVECO - N45MNTF	DN150+DN150+1 1/2"	DN250	2600	2000	1980
320	105	AUED 320/105	N 125-315/132	132,0	N 125-315	145,0	MULTI 35/10	4,0	IVECO - N45MNTF	DN150+DN150+1 1/2"	DN250	2600	2000	1980
320	110	AUED 320/110	N 125-315/160	160,0	N 125-315	145,0	MULTI 35/10	4,0	IVECO - N45MNTF	DN150+DN150+1 1/2"	DN250	2600	2000	1980
320	115	AUED 320/115	N 125-315/160	160,0	N 125-315	164,0	MULTI 35/10	4,0	CLARKE - JU6H-NLM4	DN150+DN150+1 1/2"	DN250	2600	2000	1980
320	120	AUED 320/120	N 125-315/160	160,0	N 125-315	164,0	MULTI 35/10	4,0	CLARKE - JU6H-NLM4	DN150+DN150+1 1/2"	DN250	2600	2000	1980
340	55	AUED 340/55	N 125-200/75	75,0	N 125-200	73,0	MULTI 35/6	2,0	IVECO - N45MNF	DN150+DN150+1 1/2"	DN250	2100	1700	1980
340	60	AUED 340/60	N 125-250/90	90,0	N 125-250	109,0	MULTI 35/6	2,0	IVECO - N45MNSF	DN150+DN150+1 1/2"	DN250	2100	1700	1980
340	65	AUED 340/65	N 125-250/110	110,0	N 125-250	109,0	MULTI 35/6	2,0	IVECO - N45MNSF	DN150+DN150+1 1/2"	DN250	2600	1900	1980
340	70	AUED 340/70	N 125-250/110	110,0	N 125-250	109,0	MULTI 35/8	3,0	IVECO - N45MNSF	DN150+DN150+1 1/2"	DN250	2600	1900	1980
340	75	AUED 340/75	N 125-250/132	132,0	N 125-250	145,0	MULTI 35/8	3,0	IVECO - N45MNTF	DN150+DN150+1 1/2"	DN250	2600	2000	1980
340	80	AUED 340/80	N 125-250/132	132,0	N 125-250	145,0	MULTI 35/8	3,0	IVECO - N45MNTF	DN150+DN150+1 1/2"	DN250	2600	2000	1980
340	85	AUED 340/85	N 125-250/132	132,0	N 125-250	145,0	MULTI 35/8	3,0	IVECO - N45MNTF	DN150+DN150+1 1/2"	DN250	2600	2000	1980
340	90	AUED 340/90	N 125-250/160	160,0	N 125-250	145,0	MULTI 35/10	4,0	IVECO - N45MNTF	DN150+DN150+1 1/2"	DN250	2600	2000	1980
340	95	AUED 340/95	N 125-250/160	160,0	N 125-250	164,0	MULTI 35/10	4,0	CLARKE - JU6H-NLM4	DN150+DN150+1 1/2"	DN250	2600	2000	1980
340	100	AUED 340/100	N 125-315/160	160,0	N 125-315	164,0	MULTI 35/10	4,0	CLARKE - JU6H-NLM4	DN150+DN150+1 1/2"	DN250	2600	2000	1980
340	105	AUED 340/105	N 125-315/160	160,0	N 125-315	164,0	MULTI 35/10	4,0	CLARKE - JU6H-NLM4	DN150+DN150+1 1/2"	DN250	2600	2000	1980
340	110	AUED 340/110	N 125-315/160	160,0	N 125-315	164,0	MULTI 35/10	4,0	CLARKE - JU6H-NLM4	DN150+DN150+1 1/2"	DN250	2600	2000	1980
340	115	AUED 340/115	N 125-315/160	160,0	N 125-315	164,0	MULTI 35/10	4,0	CLARKE - JU6H-NLM4	DN150+DN150+1 1/2"	DN250	2600	2000	1980
340	120	AUED 340/120	N 125-315/185	185,0	N 125-315	178,0	MULTI 35/10	4,0	CLARKE - JU6H-NL54	DN150+DN150+1 1/2"	DN250	2600	2000	1980
360	55	AUED 360/55	N 125-250/90	90,0	N 125-250	109,0	MULTI 35/6	2,0	IVECO - N45MNSF	DN150+DN150+1 1/2"	DN250	2100	1700	1980
360	60	AUED 360/60	N 125-250/90	90,0	N 125-250	109,0	MULTI 35/6	2,0	IVECO - N45MNSF	DN150+DN150+1 1/2"	DN250	2100	1700	1980
360	65	AUED 360/65	N 125-250/110	110,0	N 125-250	109,0	MULTI 35/6	2,0	IVECO - N45MNSF	DN150+DN150+1 1/2"	DN250	2600	1900	1980
360	70	AUED 360/70	N 125-250/110	110,0	N 125-250	109,0	MULTI 35/8	3,0	IVECO - N45MNSF	DN150+DN150+1 1/2"	DN250	2600	1900	1980
360	75	AUED 360/75	N 125-250/132	132,0	N 125-250	145,0	MULTI 35/8	3,0	IVECO - N45MNTF	DN150+DN150+1 1/2"	DN250	2600	2000	1980
360	80	AUED 360/80	N 125-250/132	132,0	N 125-250	145,0	MULTI 35/8	3,0	IVECO - N45MNTF	DN150+DN150+1 1/2"	DN250	2600	2000	1980
360	85	AUED 360/85	N 125-250/132	132,0	N 125-250	145,0	MULTI 35/8	3,0	IVECO - N45MNTF	DN150+DN150+1 1/2"	DN250	2600	2000	1980
360	90	AUED 360/90	N 125-250/160	160,0	N 125-250	164,0	MULTI 35/10	4,0	CLARKE - JU6H-NLM4	DN150+DN150+1 1/2"	DN250	2600	2000	1980
360	95	AUED 360/95	N 125-250/160	160,0	N 125-250	164,0	MULTI 35/10	4,0	CLARKE - JU6H-NLM4	DN150+DN150+1 1/2"	DN250	2600	2000	1980
360	100	AUED 360/100	N 125-315/160	160,0	N 125-315	164,0	MULTI 35/10	4,0	CLARKE - JU6H-NLM4	DN150+DN150+1 1/2"	DN250	2600	2000	1980
360	105	AUED 360/105	N 125-315/160	160,0	N 125-315	164,0	MULTI 35/10	4,0	CLARKE - JU6H-NLM4	DN150+DN150+1 1/2"	DN250	2600	2000	1980
360	110	AUED 360/110	N 125-315/160	160,0	N 125-315	164,0	MULTI 35/10	4,0	CLARKE - JU6H-NLM4	DN150+DN150+1 1/2"	DN250	2600	2000	1980
360	115	AUED 360/115	N 125-315/185	185,0	N 125-315	178,0	MULTI 35/10	4,0	CLARKE - JU6H-NL54	DN150+DN150+1 1/2"	DN250	2600	2000	1980
360	120	AUED 360/120	N 125-315/185	185,0	N 125-315	178,0	MULTI 35/10	4,0	CLARKE - JU6H-NL54	DN150+DN150+1 1/2"	DN250	2600	2000	1980



AUED - (1 ELECTRICAL FIRE PUMP + 1 DIESEL FIRE PUMP + JOCKEY PUMP SYSTEM)

Q m³/h	H mWC	System Type	Electrical Pump Type	kW	Diesel Pump Type	kW	Jockey Pump Type	kW	Diesel Engine Model	Suction Manifold	Discharge Manifold	Dimensions (mm)		
												A (width)	B (length)	C (height)
380	75	AUED 380/75	N 125-250/132	132,0	N 125-250	145,0	MULTI 35/8	3,0	IVECO - N45MNTF	DN150+DN150+1 1/2"	DN250	2600	2000	1980
380	80	AUED 380/80	N 125-250/132	132,0	N 125-250	145,0	MULTI 35/8	3,0	IVECO - N45MNTF	DN150+DN150+1 1/2"	DN250	2600	2000	1980
380	85	AUED 380/85	N 125-250/160	160,0	N 125-250	145,0	MULTI 35/8	3,0	IVECO - N45MNTF	DN150+DN150+1 1/2"	DN250	2600	2000	1980
380	90	AUED 380/90	N 125-250/160	160,0	N 125-250	164,0	MULTI 35/10	4,0	CLARKE - JU6H-NLM4	DN150+DN150+1 1/2"	DN250	2600	2000	1980
380	95	AUED 380/95	N 125-315/160	160,0	N 125-315	164,0	MULTI 35/10	4,0	CLARKE - JU6H-NLM4	DN150+DN150+1 1/2"	DN250	2600	2000	1980
380	100	AUED 380/100	N 125-315/160	160,0	N 125-315	164,0	MULTI 35/10	4,0	CLARKE - JU6H-NLM4	DN150+DN150+1 1/2"	DN250	2600	2000	1980
380	105	AUED 380/105	N 125-315/185	185,0	N 125-315	178,0	MULTI 35/10	4,0	CLARKE - JU6H-NL54	DN150+DN150+1 1/2"	DN250	2600	2000	1980
380	110	AUED 380/110	N 125-315/185	185,0	N 125-315	178,0	MULTI 35/10	4,0	CLARKE - JU6H-NL54	DN150+DN150+1 1/2"	DN250	2600	2000	1980
380	115	AUED 380/115	N 125-315/185	185,0	N 125-315	178,0	MULTI 35/10	4,0	CLARKE - JU6H-NL54	DN150+DN150+1 1/2"	DN250	2600	2000	1980
380	120	AUED 380/120	N 125-315/185	185,0	N 125-315	184,0	MULTI 35/10	4,0	CLARKE - JU6H-NL74	DN150+DN150+1 1/2"	DN250	2600	2000	1980
400	55	AUED 400/55	N 125-250/110	110,0	N 125-250	109,0	MULTI 35/6	2,0	IVECO - N45MNSF	DN150+DN150+1 1/2"	DN250	2600	1900	1980
400	60	AUED 400/60	N 125-250/110	110,0	N 125-250	109,0	MULTI 35/6	2,0	IVECO - N45MNSF	DN150+DN150+1 1/2"	DN250	2600	1900	1980
400	65	AUED 400/65	N 125-250/110	110,0	N 125-250	109,0	MULTI 35/6	2,0	IVECO - N45MNSF	DN150+DN150+1 1/2"	DN250	2600	1900	1980
400	70	AUED 400/70	N 125-250/132	132,0	N 125-250	145,0	MULTI 35/8	3,0	IVECO - N45MNTF	DN150+DN150+1 1/2"	DN250	2600	2000	1980
400	75	AUED 400/75	N 125-250/132	132,0	N 125-250	145,0	MULTI 35/8	3,0	IVECO - N45MNTF	DN150+DN150+1 1/2"	DN250	2600	2000	1980
400	80	AUED 400/80	N 125-250/132	132,0	N 125-250	145,0	MULTI 35/8	3,0	IVECO - N45MNTF	DN150+DN150+1 1/2"	DN250	2600	2000	1980
400	85	AUED 400/85	N 125-250/160	160,0	N 125-250	145,0	MULTI 35/8	3,0	IVECO - N45MNTF	DN150+DN150+1 1/2"	DN250	2600	2000	1980
400	90	AUED 400/90	N 125-250/160	160,0	N 125-250	145,0	MULTI 35/10	4,0	IVECO - N45MNTF	DN150+DN150+1 1/2"	DN250	2600	2000	1980
400	95	AUED 400/95	N 125-315/160	160,0	N 125-315	164,0	MULTI 35/10	4,0	CLARKE - JU6H-NLM4	DN150+DN150+1 1/2"	DN250	2600	2000	1980
400	100	AUED 400/100	N 125-315/160	160,0	N 125-315	164,0	MULTI 35/10	4,0	CLARKE - JU6H-NLM4	DN150+DN150+1 1/2"	DN250	2600	2000	1980
400	105	AUED 400/105	N 125-315/160	160,0	N 125-315	164,0	MULTI 35/10	4,0	CLARKE - JU6H-NLM4	DN150+DN150+1 1/2"	DN250	2600	2000	1980
400	110	AUED 400/110	N 125-315/185	185,0	N 125-315	178,0	MULTI 35/10	4,0	CLARKE - JU6H-NL54	DN150+DN150+1 1/2"	DN250	2600	2000	1980
400	115	AUED 400/115	N 125-315/185	185,0	N 125-315	184,0	MULTI 35/10	4,0	CLARKE - JU6H-NL74	DN150+DN150+1 1/2"	DN250	2600	2000	1980
400	120	AUED 400/120	N 125-315/200	200,0	N 125-315	197,0	MULTI 35/10	4,0	CLARKE - JU6H-NLP4	DN150+DN150+1 1/2"	DN250	2600	2000	1980
450	55	AUED 450/55	N 125-250/110	110,0	N 125-250	109,0	MULTI 35/6	2,0	IVECO - N45MNSF	DN150+DN150+1 1/2"	DN250	2600	1900	1980
450	60	AUED 450/60	N 125-250/132	132,0	N 125-250	145,0	MULTI 35/6	2,0	IVECO - N45MNTF	DN150+DN150+1 1/2"	DN250	2600	2000	1980
450	65	AUED 450/65	N 125-250/132	132,0	N 125-250	145,0	MULTI 35/6	2,0	IVECO - N45MNTF	DN150+DN150+1 1/2"	DN250	2600	2000	1980
450	70	AUED 450/70	N 125-250/132	132,0	N 125-250	145,0	MULTI 35/8	3,0	IVECO - N45MNTF	DN150+DN150+1 1/2"	DN250	2600	2000	1980
450	75	AUED 450/75	N 125-250/132	132,0	N 125-250	145,0	MULTI 35/8	3,0	IVECO - N45MNTF	DN150+DN150+1 1/2"	DN250	2600	2000	1980
450	80	AUED 450/80	N 125-250/160	160,0	N 125-250	145,0	MULTI 35/8	3,0	IVECO - N45MNTF	DN150+DN150+1 1/2"	DN250	2600	2000	1980
450	85	AUED 450/85	N 125-250/160	160,0	N 125-250	164,0	MULTI 35/8	3,0	CLARKE - JU6H-NLM4	DN150+DN150+1 1/2"	DN250	2600	2000	1980
450	90	AUED 450/90	N 125-250/185	185,0	N 125-250	178,0	MULTI 35/10	4,0	CLARKE - JU6H-NL54	DN150+DN150+1 1/2"	DN250	2600	2000	1980
450	95	AUED 450/95	N 150-315/185	185,0	N 150-315	178,0	MULTI 35/10	4,0	CLARKE - JU6H-NL54	DN200+DN200+1 1/2"	DN300	2600	2000	1980
450	100	AUED 450/100	N 150-315/200	200,0	N 150-315	197,0	MULTI 35/10	4,0	CLARKE - JU6H-NLP4	DN200+DN200+1 1/2"	DN300	2600	2000	1980
450	105	AUED 450/105	N 150-315/200	200,0	N 150-315	197,0	MULTI 35/10	4,0	CLARKE - JU6H-NLP4	DN200+DN200+1 1/2"	DN300	2600	2000	1980
450	110	AUED 450/110	N 150-315/250	250,0	N 150-315	225,0	MULTI 35/10	4,0	CLARKE - JU6H-NL84	DN200+DN200+1 1/2"	DN300	2700	2300	2150
450	115	AUED 450/115	N 150-315/250	250,0	N 150-315	225,0	MULTI 35/10	4,0	CLARKE - JU6H-NL84	DN200+DN200+1 1/2"	DN300	2700	2300	2150
450	120	AUED 450/120	N 150-315/250	250,0	N 150-315	225,0	MULTI 35/10	4,0	CLARKE - JU6H-NL84	DN200+DN200+1 1/2"	DN300	2700	2300	2150



AUED - (1 ELECTRICAL FIRE PUMP + 1 DIESEL FIRE PUMP + JOCKEY PUMP SYSTEM)

Q m³/h	H mWC	System Type	Electrical Pump Type	kW	Diesel Pump Type	kW	Jockey Pump Type	kW	Diesel Engine Model	Suction Manifold	Discharge Manifold	Dimensions (mm)		
												A (width)	B (length)	C (height)
500	65	AUED 500/65	N 125-250/132	132,0	N 125-250	145,0	MULTI 35/6	2,0	IVECO - N45MNTF	DN150+DN150+1 1/2"	DN250	2600	2000	1980
500	70	AUED 500/70	N 125-250/160	160,0	N 125-250	145,0	MULTI 35/8	3,0	IVECO - N45MNTF	DN150+DN150+1 1/2"	DN250	2600	2000	1980
500	75	AUED 500/75	N 125-250/160	160,0	N 125-250	164,0	MULTI 35/8	3,0	CLARKE - JU6H-NLM4	DN150+DN150+1 1/2"	DN250	2600	2000	1980
500	80	AUED 500/80	N 125-250/160	160,0	N 125-250	164,0	MULTI 35/8	3,0	CLARKE - JU6H-NLM4	DN150+DN150+1 1/2"	DN250	2600	2000	1980
500	85	AUED 500/85	N 125-250/185	185,0	N 125-250	178,0	MULTI 35/8	3,0	CLARKE - JU6H-NL54	DN150+DN150+1 1/2"	DN250	2600	2000	1980
500	90	AUED 500/90	N 125-250/185	185,0	N 125-250	178,0	MULTI 35/10	4,0	CLARKE - JU6H-NL54	DN150+DN150+1 1/2"	DN250	2600	2000	1980
500	95	AUED 500/95	N 150-315/185	185,0	N 150-315	197,0	MULTI 35/10	4,0	CLARKE - JU6H-NLP4	DN200+DN200+1 1/2"	DN300	2600	2000	2050
500	100	AUED 500/100	N 150-315/200	200,0	N 150-315	197,0	MULTI 35/10	4,0	CLARKE - JU6H-NLP4	DN200+DN200+1 1/2"	DN300	2600	2000	2050
500	105	AUED 500/105	N 150-315/250	250,0	N 150-315	225,0	MULTI 35/10	4,0	CLARKE - JU6H-NL84	DN200+DN200+1 1/2"	DN300	2700	2300	2150
500	110	AUED 500/110	N 150-315/250	250,0	N 150-315	225,0	MULTI 35/10	4,0	CLARKE - JU6H-NL84	DN200+DN200+1 1/2"	DN300	2700	2300	2150
500	115	AUED 500/115	N 150-315/250	250,0	N 150-315	225,0	MULTI 35/10	4,0	CLARKE - JU6H-NL84	DN200+DN200+1 1/2"	DN300	2700	2300	2150
500	120	AUED 500/120	N 150-315/250	250,0	N 150-315	225,0	MULTI 35/10	4,0	CLARKE - JU6H-NL84	DN200+DN200+1 1/2"	DN300	2700	2300	2150



Ebitt Akışkan Teknolojileri San. ve Tic. Ltd.

Koçullu Mah. Doğru Sok. No:6, 34799 Çekmeköy / İstanbul / Türkiye
Tel: +90 216 660 01 30 Fax: +90 216 660 01 33 e-mail: info@ebitt.com.tr

www.ebitt.com.tr